



**T&S BRASS AND BRONZE WORKS, INC.**  
 2 Saddleback Cove / P.O. Box 1088  
 Travelers Rest, SC 29690

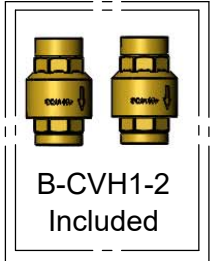
Model No.  
**B-7143-U06WS2C**

Item No.

Travelers Rest, SC: 800-476-4103 • Simi Valley, CA: 800-423-0150 • Fax: 864-834-3518 • www.tsbrass.com

This Space for Architect/Engineer Approval

Job Name \_\_\_\_\_ Date \_\_\_\_\_  
 Model Specified \_\_\_\_\_ Quantity \_\_\_\_\_  
 Customer/Wholesaler \_\_\_\_\_  
 Contractor \_\_\_\_\_  
 Architect/Engineer \_\_\_\_\_



B-0963  
 Continuous Pressure  
 Vacuum Breaker  
 w/ Integral  
 Check Valve

1/2" NPT x 36"  
 Flexible Water  
 Connector to  
 Hose Reel

1/2" NPT x 32" Riser

Stainless Steel  
 Quick Disconnect

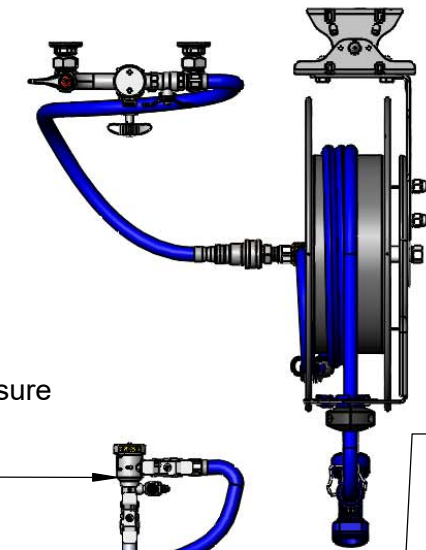
Control Valve

1/2" NPT x 18" Riser

(2) B-0110  
 Wall Brackets

12 5/8"  
 [321mm]

Ø 2" [51mm]  
 Flanges w/  
 1/2" NPT  
 Female Inlets



Open Stainless Steel Hose Reel  
 w/ 50' of 1/2" Hose

019653-40  
 1/2" NPT  
 Live Swivel

MV-2522-34  
 Front Trigger  
 Water Gun

Quarter-Turn  
 Cerama Cartridges  
 w/ Check Valves  
 & Lever Handles  
 w/ Color Coded  
 Indexes

3 9/16"  
 [90mm]

6"  
 [152mm]

5 9/16"  
 [142mm]

9 1/4"  
 [235mm]

Ø 1/2"  
 [13mm]  
 Typ

57 3/4"  
 [1467mm]

19 7/16"  
 [494mm]

2 3/8"  
 [61mm]

Adjustable From  
 7 3/4" to 8 1/4"  
 [197mm to 210mm]

Product Specifications:

Open Stainless Steel Hose Reel w/ 50' of 1/2" Hose, Front Trigger Water Gun w/ Swivel, 1/2" NPT Vacuum Breaker, 1/2" NPT Flexible Water Connector, 8" Wall Mount Mixing Faucet, Control Valve, Horizontal Check Valves & EasyInstall Wall Swing Bracket

Product Compliance:

NSF 61 Exempt (Non-Potable)  
 2019 DOE PRSV Non-Compliant  
 ASSE 1056 (VB)



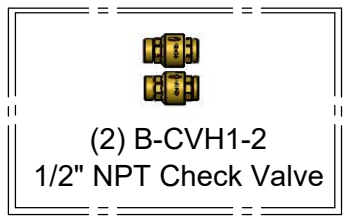
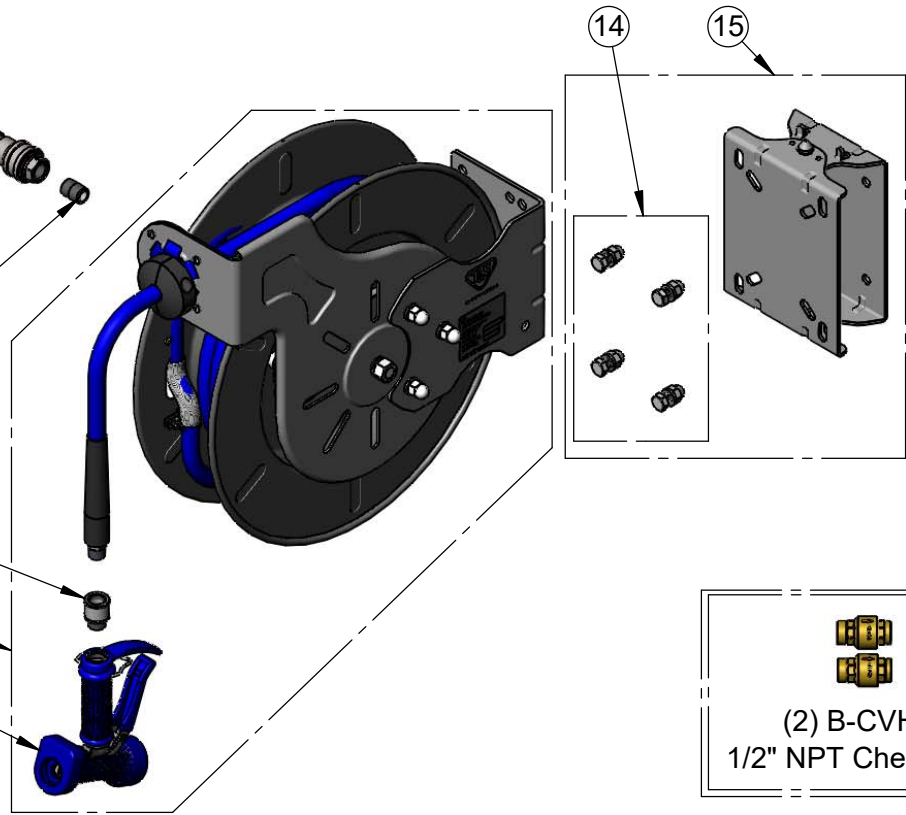
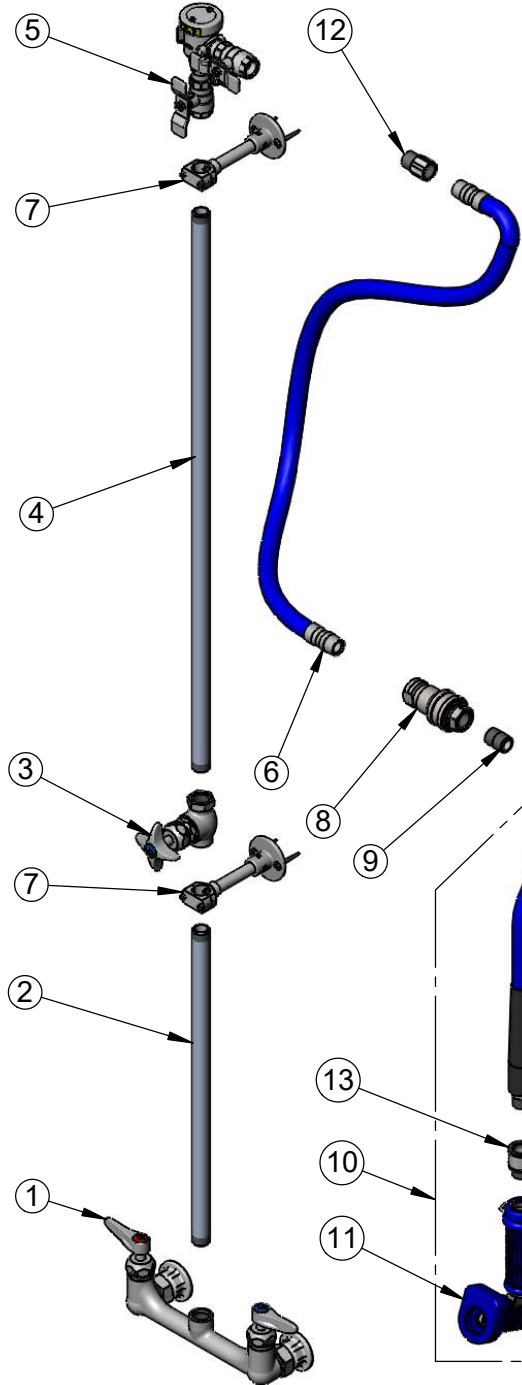
**T&S BRASS AND BRONZE WORKS, INC.**  
 2 Saddleback Cove / P.O. Box 1088  
 Travelers Rest, SC 29690

Model No.  
**B-7143-U06WS2C**

Item No.

Travelers Rest, SC: 800-476-4103 • Simi Valley, CA: 800-423-0150 • Fax: 864-834-3518 • www.tsbrass.com

ITEM NO.	SALES NO.	DESCRIPTION
1	020479-40	8" Wall Mount Mixing Faucet
2	013963-40	1/2" NPT x 18" Riser
3	002900-40NS	1/2" NPT Shut-Off Control Valve, Polished Chrome
4	017260-40	1/2" NPT x 32" Riser
5	B-0963	1/2" NPT Continuous Pressure VB w/ Integral Check Valve
6	HW-2C-36	1/2" NPT x 36" Flexible Water Hose
7	B-0110	6" Wall Bracket
8	AW-5C	1/2" NPT Quick Disconnect
9	002534-25	1/2" NPT Close Nipple
10	B-7143-05	Open Stainless Steel Hose Reel w/ 50' of 1/2" Hose
11	MV-2522-24	Stainless Steel Water Gun, Front Trigger
12	015073-40	Check Valve w/ 1/2" NPT Adapter
13	019653-40	1/2" NPT Live Swivel
14	019191-45K	Hose Reel Bracket Mounting Kit
15	G019430-45	Universal EasyInstall Stainless Steel Swing Bracket



**Product Specifications:**  
 Open Stainless Steel Hose Reel w/ 50' of 1/2" Hose, Front Trigger Water Gun w/ Swivel, 1/2" NPT Vacuum Breaker, 1/2" NPT Flexible Water Connector, 8" Wall Mount Mixing Faucet, Control Valve, Horizontal Check Valves & EasyInstall Wall Swing Bracket

**Product Compliance:**  
 NSF 61 Exempt (Non-Potable)  
 2019 DOE PRSV Non-Compliant  
 ASSE 1056 (VB)