

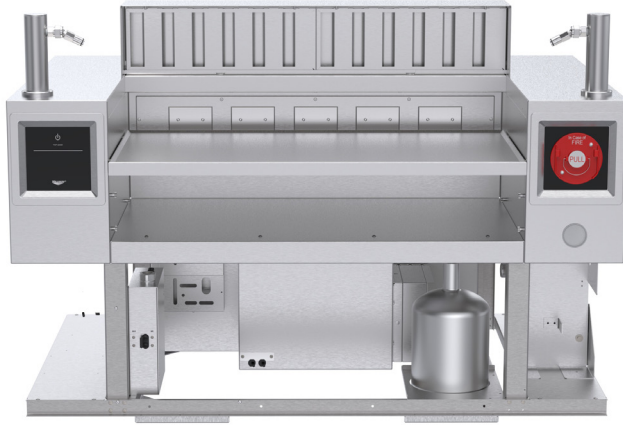




Project:

Item Number:

Quantity:

FLEXVENT™ VERSATILE SLIDE-IN WITH DOWNDRAFT VENT SYSTEM AND FIRE SUPPRESSION



| Model |
|---|
| FC-6DV-36 |
| Description |
| Self-contained, slide-in unit with Downdraft Vent System and fire suppression. |
| Certifications |
| UL 710B Recognized  |
| UL Classified to NSF2  |

DESCRIPTION

Vollrath® FlexVent™ is a slide-in unit with Downdraft Vent System and fire suppression. It is designed for presentation cooking to eliminate the need for bulky exhaust hoods. The self-contained unit is customizable for use with a variety of electrical cooking appliances including: induction, griddles, sandwich presses, and fryers. The adjustable shelf accommodates various appliance and cooking vessel heights to comply with health code and Authority Having Jurisdiction (AHJ) requirements. This UL Recognized station can be installed over, under, or flush with a countertop to integrate with your serving line design.

STANDARD FEATURES

- Self-contained Downdraft Recirculating Vent System and fire suppression eliminates bulky exhaust hoods
- Customizable cord-and-plug electrical cooking appliance configurations offer versatility*
- Adjustable shelf adapts to ergonomic, code, and fire suppression requirements
- Versatile over, under, or flush with countertop installation allows for design flexibility
- Adaptable breath guard accommodation facilitates code compliance — consult with your local Health Department and AHJ for requirements
- Operator-side access panel gives a finished appearance
- Configurable external LED lighting switch (not included)
- UL 710B Recognized, UL Classified to NSF2

*Cooking appliances are sold separately.

REPLACEMENT PARTS

| Item | Description |
|--------------|--|
| 352035-2 (2) | <input type="checkbox"/> UL Classified Grease Filter |
| 352010-1 (2) | <input type="checkbox"/> Carbon/Particulate Filter |

WARRANTY

Model shown comes with a Vollrath® 12-month sale to End User OR 18-month sale to Dealer warranty against defects in materials and workmanship. For full warranty details, please visit www.Vollrath.com.

Due to continued product improvement, please consult www.vollrath.com for current product specifications.

NOTE: This product is UL Recognized. UL recognized components are incomplete in certain constructional features and require professional installation and subsequent evaluation to relevant standards.

NOTE: The unit is made to order and cannot be canceled or returned.

INSTALLATION

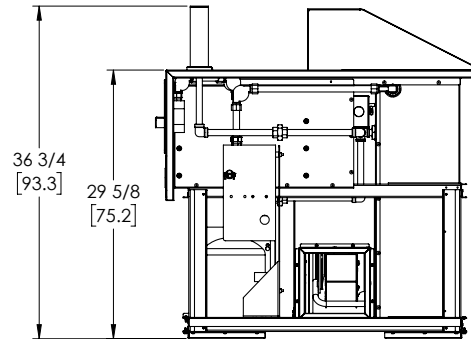
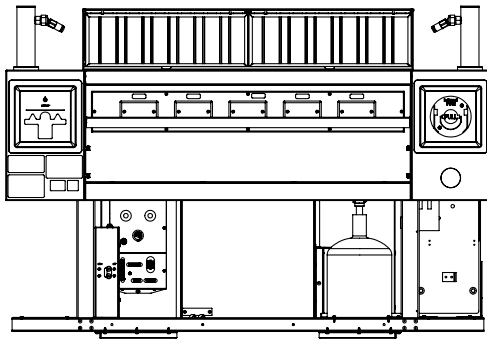
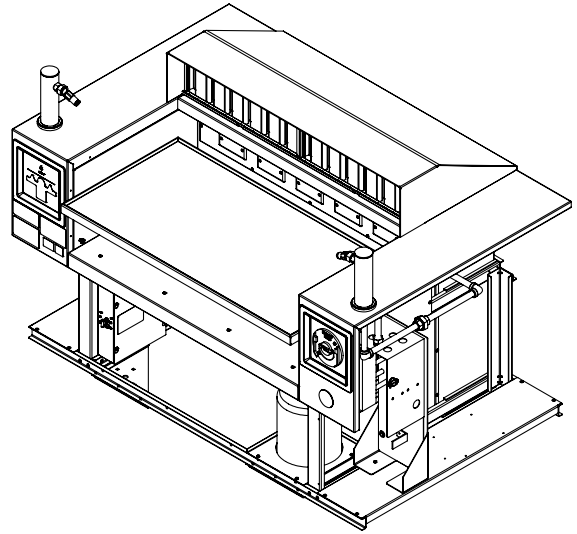
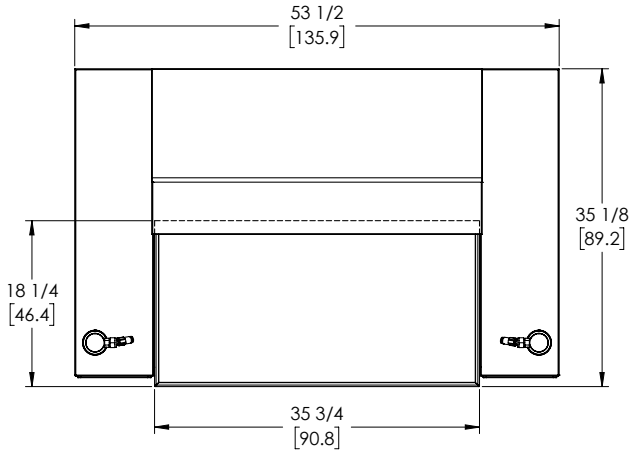
- Ensure ceiling height is a minimum of 96”.
- AHJ approvals are required for all appliances and configurations.

FIRE SUPPRESSION

FlexVent will not operate until the Fire Suppression System is charged, inspected, and commissioned by an ANSUL® distributor; find yours at www.ansul.com.

FLEXVENT™ VERSATILE SLIDE-IN WITH DOWNDRAFT VENT SYSTEM AND FIRE SUPPRESSION

DIMENSIONS – INCHES (CM)



SPECIFICATIONS

| Model FC-6DV-36 | Electrical | | | |
|----------------------------------|-------------|----|------|------|
| | VAC | Hz | W | Amps |
| FlexVent | 120 | 60 | 420 | 3.4 |
| Max. Configurable Appliance Load | 120/208-240 | 60 | 7200 | 30 |

DIMENSIONS

| Height | Width | Depth | Appliance Area | |
|-------------------|--------------------|-------------------|---------------------|---------------------|
| 36 3/4" [93.3 cm] | 53 1/2" [135.9 cm] | 35 1/8" [89.2 cm] | 18 1/4" D [46.4 cm] | 35 3/4" W [90.8 cm] |



The Vollrath Company, L.L.C.
 1236 North 18th Street
 Sheboygan, WI 53081-3201 U.S.A.
 Main Tel: 800.624.2051 or 920.457.4851
 Main Fax: 800.752.5620 or 920.459.6573
 Customer Service: 800.628.0830

Technical Services
 techservicereps@vollrathco.com
 Induction Products: 800.825.6036
 Countertop Warming Products: 800.354.1970
 Form Number L36254 | 5/06/22
 Printed in USA