

EVERPURE® MRS-350CC-BL REVERSE OSMOSIS SYSTEM

CONFIGURABLE SYSTEM THAT DELIVERS REVERSE OSMOSIS OR BLENDED WATER FOR MULTIPLE FOODSERVICE APPLICATIONS



MRS-350CC-BL System:
EV9973-65 (115 VAC/60 Hz)

- Options and Replacements:
- 6TO-BW Cartridge: EV9607-41 (optional)
 - MR-350 Cartridge: EV9627-07 (standard)
 - 7CC-BW Cartridge: EV9627-05 (standard)
 - 7TO-BW Cartridge: EV9627-04 (standard)
 - Prefilter Kit: EV9795-81 (optional)
 - P5 Cartridge: 155014-43 (optional-prefilter replacement)

APPLICATIONS

- Combi Ovens
- Boilerless Conventional Steamers
- Flash Steam
- Cheese Melters
- Coffee
- Espresso
- Tea
- Ice

FEATURES • BENEFITS

Reduces corrosion and lime scale buildup that can cause excessive machine downtime, increased maintenance costs; plus scale reduction reduces energy costs

Adjustable blend valve allows custom tailoring of the dissolved mineral content in the treated water. This valve controls the amount of influent water that is mixed with reverse osmosis (RO) water, creating a blend that gives the best steam equipment protection and performance

This controlled re-mineralization is also desirable for coffee and other applications that require some hardness to achieve optimum results

Sanitary cartridge replacement is simple, quick and clean – internal filter parts are never exposed to handling or contamination

Wall mount design allows for flexible installation

INSTALLATION TIPS

Choose a mounting location capable of safely supporting the full weight of the components when in operation

Delimiting of existing water using equipment is recommended

Install vertically with cartridges hanging down and allow 3" (76 mm) on all four sides of unit for cover removal and service access

The product water tubing/piping and associated fittings connecting the RO product outlet to the equipment being serviced should be suitable for use with high purity water

Refer to Instruction & Operation Guide for cartridge flushing and RO start-up

OPERATION TIPS

Change filter cartridges on a regular 6-month preventative maintenance program

Change RO cartridges on a regular 2-year preventative maintenance program

Proper pretreatment is required to control RO Cartridge (membrane) scale formation and/or fouling

- Raw water hardness in excess of 7 grains per gallon (120 ppm) should be softened
- The raw water may contain particulates and the use of a prefilter is recommended

Contact Pentair Everpure Technical Service for pretreatment recommendations

SIZING

Daily Production Rate -
RO Processor Only: 350 gpd (1,541Lpd)

RO Processor With Blend:
Capacity will vary based on tap water TDS, RO percent rejection and desired blend water TDS

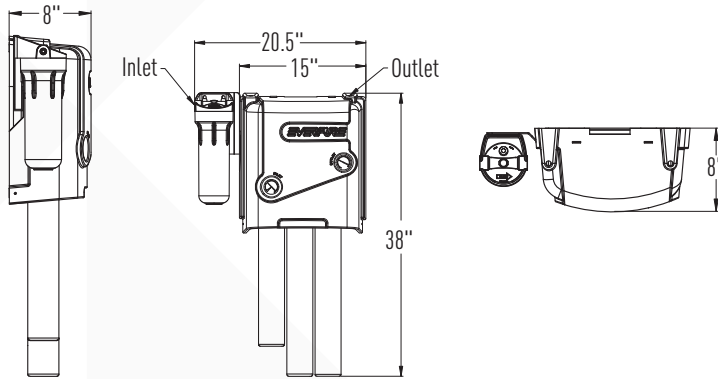
An example of the adjusted capacity is shown below:

Example: 500 ppm tap water, 90% rejection, 100 ppm blend setting

Result:
350 gpd (1,324 Lpd) RO Processor Only
+ 43.75 gpd (1,65.61 Lpd) filtered tap water
= 393.8 gpd (1,490.7 Lpd) nominal
0.273 gpm (1.033 Lpm) nominal

EVERPURE® MRS-350CC-BL REVERSE OSMOSIS SYSTEM

EV9973-65



The contaminants or other substances removed or reduced by this drinking water system are not necessarily in your water. Do not use with water that is microbiologically unsafe or of unknown quality without adequate disinfection before or after the system.

WARRANTY

Everpure water treatment systems by Pentair® (excluding replaceable elements) are covered by a limited warranty against defects in material and workmanship for a period of one year after date of purchase. Everpure replaceable elements (filter cartridges and water treatment cartridges) are covered by a limited warranty against defects in material and workmanship for a period of one year after date of purchase. See printed warranty for details. Pentair will provide a copy of the warranty upon request.

SPECIFICATIONS

Overall Unit Dimensions

38" H x 15" W (20.5" w/prefilter) x 8" D
[965 mm H x 381 mm W (521 mm W w/prefilter) x 203 mm D]
[Add 3" (76 mm) on all sides for cover removal and service access] (not including storage tanks)

Inlet and Outlet Connection

3/8" (9.5 mm) OD tube connection

Wastewater Line Connection

1/4" (6.4 mm) OD tube connection

Service Flow Rate

Dependent on water pressure in storage tank and line size(s) to equipment

Minimum Water Supply

1.0 gpm (3.8 Lpm)

Pressure Requirements

Operating:
25 – 80 psi (1.72-5.52 bar), non-shock
Maximum Static:
100 psi (6.89 bar), non-shock

Inlet Temperature

40–100°F (4–38°C)

Inlet TDS

1,500 ppm max recommended

Shipping Weight

35 lbs. (15.9 kg.)
(not including storage tanks)

Electrical

100-240VAC/50-60Hz
switchable power supply

Daily Production Rate

RO Processor Only (No Blend):
350 gpd (1,324Lpd) nominal

RO Processor With Blend:
Total daily production rate will vary based on tap water TDS, RO percent rejection and desired blend water TDS - Contact Pentair Everpure for assistance estimating this total



WATER FILTRATION

EVERPURE-SHURFLO WORLD HEADQUARTERS, 1040 MUIRFIELD DRIVE, HANOVER PARK, IL 60133 USA • FOODSERVICE.PENTAIR.COM
800.942.1153 [US ONLY] • 630.307.3000 MAIN • 630.307.3030 FAX • CSEVERPURE@PENTAIR.COM EMAIL

EVERPURE-SHURFLO AUSTRALIA, 1-21 MONASH DRIVE, DANDENONG SOUTH, VIC 3175 AUSTRALIA
011.1300.576.190 TEL • 011.61.39.562.7237 FAX • AU.EVERPURE@PENTAIR.COM EMAIL

EVERPURE-SHURFLO CHINA, 21F CLOUD 9 PLAZA, NO 1118, SHANGHAI, 200052, CHINA
86.21.3211.4588 TEL • 86.21.3211.4580 FAX • CHINA.WATER@PENTAIR.COM EMAIL

EVERPURE-SHURFLO INDIA, GREEN BOULEVARD, B-9/A, 7TH FLOOR - TOWER B SECTOR 62, NOIDA - 201301
91.120.419.9444 TEL • 91.120.419.9400 FAX • INDIACUSTOMER@PENTAIR.COM EMAIL

EVERPURE-SHURFLO EUROPE, PENTAIR WATER BELGIUM BVBA, INDUSTRIEPARK WOLFSTEE, TOEKOMSTLAAN 30, B-2200 HERENTALS, BELGIUM
+32.(0).14.283.504 TEL • +32.(0).14.283.505 FAX • SALES@EVERPURE-EUROPE.COM EMAIL

EVERPURE-SHURFLO JAPAN INC., HASHIMOTO MN BLDG. 7F, 3-25-1 HASHIMOTO, MIDORI-KU, SAGAMIHARA-SHI KANAGAWA 252-0143, JAPAN
81.(0)42.775.3011 TEL • 81.(0)42.775.3015 FAX • INFO@EVERPURE.CO.JP EMAIL

EVERPURE-SHURFLO SOUTHEAST ASIA, 390 HAVELOCK ROAD, #04-01 KING'S CENTRE, SINGAPORE 169662
65.6768.5800 TEL • 65.6737.5149 FAX • CSEVERPURE@PENTAIR.COM EMAIL

Pentair trademarks and logos are owned by Pentair plc or its affiliates. Third party registered and unregistered trademarks and logos are property of their respective owners. Because we are continuously improving our products and services, Pentair reserves the right to change specifications without prior notice. Pentair is an equal opportunity employer.