

SunFire®

INSTALLATION AND OPERATION MANUAL

SUNFIRE X SERIES GAS RESTAURANT RANGES



All 24, 36, & 60-inch wide models.

Français..... Page 15
Español..... Página 29

FOR YOUR SAFETY:
DO NOT STORE OR USE GASOLINE
OR OTHER FLAMMABLE VAPORS OR
LIQUIDS IN THE VICINITY OF
THIS OR ANY OTHER
APPLIANCE

WARNING:
IMPROPER INSTALLATION, ADJUSTMENT,
ALTERATION, SERVICE OR MAINTENANCE
CAN CAUSE PROPERTY DAMAGE, INJURY,
OR DEATH. READ THE INSTALLATION,
OPERATING AND MAINTENANCE
INSTRUCTIONS THOROUGHLY
BEFORE INSTALLING OR
SERVICING THIS EQUIPMENT

PLEASE READ ALL SECTIONS OF THIS MANUAL
AND RETAIN FOR FUTURE REFERENCE.

THIS PRODUCT HAS BEEN CERTIFIED AS
COMMERCIAL COOKING EQUIPMENT AND
MUST BE INSTALLED BY PROFESSIONAL
PERSONNEL AS SPECIFIED.

IN THE COMMONWEALTH OF MASSACHUSETTS
THIS PRODUCT MUST BE INSTALLED BY A
LICENSED PLUMBER OR GAS FITTER.

For Your Safety:
Post in a prominent location, instructions to be
followed in the event the user smells gas. This
information shall be obtained by consulting
your local gas supplier.

Users are cautioned that maintenance and repairs must be performed by a Garland authorized service agent using genuine Garland replacement parts. Garland will have no obligation with respect to any product that has been improperly installed, adjusted, operated or not maintained in accordance with national and local codes or installation instructions provided with the product, or any product that has its serial number defaced, obliterated or removed, or which has been modified or repaired using unauthorized parts or by unauthorized service agents. For a list of authorized service agents, please refer to the Garland web site at <http://www.garland-group.com>. The information contained herein, (including design and parts specifications), may be superseded and is subject to change without notice.

General Inquires 1-905-624-0260
USA Sales 1-800-424-2411
Canadian Sales 1-888-442-7526
Canada or USA Parts/Service 1-844-724-2273

GARLAND COMMERCIAL RANGES, LTD.
1177 Kamato Road, Mississauga, Ontario
L4W 1X4 CANADA
Phone: 905-624-0260
Fax: 905-624-5669

IMPORTANT INFORMATION

WARNING:

This product contains chemicals known to the state of california to cause cancer and/or birth defects or other reproductive harm. Installation and servicing of this product could expose you to airborne particles of glass wool/ceramic fibers. Inhalation of airborne particles of glass wool/ceramic fibers is known to the state of california to cause cancer. Operation of this product could expose you to carbon monoxide if not adjusted properly. Inhalation of carbon monoxide is known to the state of california to cause birth defects or other reproductive harm.

Keep appliance area free and clear of combustibles.

TABLE OF CONTENTS

IMPORTANT INFORMATION.....	2	TESTING AND ADJUSTMENT	8
DIMENSIONS AND SPECIFICATIONS	4	Testing	8
Clearances.....	4	OPERATION.....	9
Gas Pressures.....	4	Open Top burners	9
Gas Inlet Size	4	Ovens (Standard)	9
Individual Burner Input Rates	4	Hot Top Sections.....	9
Base Model Designations & Total Input Rates..	5	Valve Controlled Griddles	9
INTRODUCTION.....	5	PRODUCT APPLICATION	
Rating Plate.....	5	INFORMATION.....	10
INSTALLATION	6	General.....	10
Siting.....	6	Open Burners.....	10
Appliances Equipped With Casters.....	6	Griddle/Broiler.....	10
Appliances Equipped With Legs	6	Range Shut down.....	10
Installing Shelf To Backguard	6	MAINTENANCE AND CLEANING	11
Backguard With High Shelf, Salamander Or Cheesemelters Mounting Instructions	6	Seasoning	11
Ventilation Air	7	Griddle	11
Statutory Regulations	7	Cast Iron top Grates	11
Gas Connection.....	7	Stainless Steel	11
Installation Notes	7	Oven Interior (Porcelain Enamel)	11
Final Preparation.....	8	Interior Cleaning of Standard Aluminized Steel Interior Surfaces	12
		Open Top Burners	12
		Cast Iron Top & Grates.....	12
		Hot Tops.....	13
		Griddle.....	13

DIMENSIONS AND SPECIFICATIONS

Clearances

Clearances Applicable For All Models		
Surface	Sides	Rear
Combustible Wall Minimum	14" (356mm)	6" (152mm)
Non-Combustible Wall Minimum	0"	0"

Gas Pressures

Gas	Minimum Supply Pressure	Manifold Operating Pressure
Natural	7" WC (17.5 mbar)	4.5" WC (11.25 mbar)
Propane	11" WC (28 mbar)	10" WC (25 mbar)

Gas Inlet Size

Model Width	Connection
24" (610mm) & 36" (914mm)	3/4" NPT Rear Gas Connection
60" (1524mm)	1" NPT Rear Gas Connection

Individual Burner Input Rates

Burner	Input BTU/HR	
	Natural Gas	Propane Gas
Open Top	30,000	26,000
Hot Top Burner (In lieu of 2 open top burners)	18,000	18,000
Griddle Burner (In lieu of 2 open top burners)	18,000	18,000
Raised Griddle Broiler (Consists of 3 burners)	33,000	33,000
Oven Burner Standard	33,000	29,000
Space Saver Oven	25,000	25,000

Rates are for installations up to 2000' (610m) above sea level

DIMENSIONS AND SPECIFICATIONS continued

Base Model Designations & Total Input Rates

Model #	Description	Input BTU/Hr	
		Natural Gas	Propane Gas
X24-4S	24" (610mm) nominal size unit, 4 open burners, storage base	120,000	104,000
X24-4L	24" (610mm) nominal size unit, 4 open burners, space saver oven	145,000	129,000
X36-6S	36" (914mm) nominal size unit, 6 open burners, storage base	180,000	156,000
X36-6R	36" (914mm) nominal size unit, 6 open burners, standard oven	213,000	185,000
X60-10RS	60" (1524mm) nominal size unit, 10 open burners, 1 Standard oven, storage base	333,000	289,000
X60-10RR	60" (1524mm) nominal size unit, 10 open burners, 2 standard ovens	366,000	318,000
X60-6R24SS	60" (1524mm) nominal size unit, 6 open burners, 24" (610mm) Raised Griddle/Broiler, 2 storage bases	203,000	189,000
X60-6R24RS	60" (1524mm) nominal size unit, 6 open burners, 24" (610mm) Raised Griddle/Broiler, standard oven, storage bases	246,000	218,000
X60-6R24RR	60" (1524mm) nominal size unit, 6 open burners, 24" (610mm) Raised Griddle/Broiler, 2 standard ovens	279,000	247,000

Rates are for installations up to 2000' (610m) above sea level

INTRODUCTION

1. Check crate for possible damage sustained during transit. Carefully remove unit from crate and again check for damage. Any damage to the appliance must be reported to the carrier immediately.
2. The wires for retaining packing material must be removed from units. Any protective material covering stainless steel parts must also be removed.
3. All equipment is supplied with 6" (152mm) legs unless specified to be dais for cove base mounting, casters or deck mount flanged feet. 60" (1524mm) wide units have legs factory mounted. Base mounting is required when range is being installed on a combustible floor.
4. The type of gas and supply pressure that the equipment was set-up for at the factory is noted on the rating plate and on the packaging. This type of gas supply must be used.
5. Do not remove permanently affixed labels, warnings or rating plates from the appliance, for this may invalidate the manufacturer's warranty.

Rating Plate

All burner input rates are shown on the rating plate, which is located behind the lower front drop down panel under the oven door.

INSTALLATION

This product has been certified as commercial cooking equipment and must be installed by professional personnel as specified. THIS APPLIANCE IS NOT RECOMMENDED FOR RESIDENTIAL INSTALLATION.

We suggest installation, maintenance and repairs should be performed by your local Garland/US Range authorized service agency.

Siting

The floor on which the appliance is to be sited must be capable of adequately supporting the weight of the appliance and any ancillary equipment. Units with ovens must be fitted with legs if installed on a combustible floor. Adequate clearance must be provided for servicing and proper operation.

Appliances Equipped With Casters

1. The installation shall be made with a connector that complies with the Standard for Connectors for Moveable Gas Appliances, ANSI Z21.69/CSA 6.16, Addenda Z21.69B-2006/CSA 6.16B-2006 (or latest edition), and a quick-disconnect device that complies with the Standard for Quick Disconnects for Use with Gas Fuel, ANSI Z21.41/CSA 6.9, Addenda Z21.41A-2005/CSA 6.16A-2005 (or latest edition).
2. The front casters of the appliance are equipped with brakes to limit the movement of the appliance without placing any strain on the connector or quick disconnect device or its associated piping.
3. Please be aware; required restraint is attached to a bracket, (which is located on the rear of the caster closest to the gas connection), and if disconnection of the restraint is necessary, be sure to reconnect the device after the appliance has been returned to its original position.

Appliances Equipped With Legs

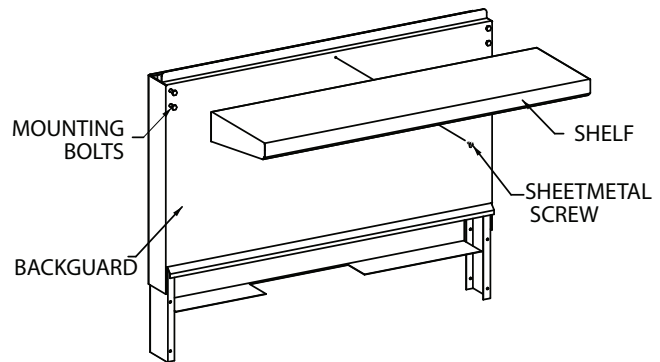
1. Raise the front of the appliance and block. Do not lay the appliance on its back.
2. Legs are threaded to be easily screwed into the holes provided on the bottom of the range.

3. Once legs have been attached and secured they can be adjusted to level the appliance and compensate for uneven flooring.

Installing Shelf To Backguard

Note: Shelf may be installed before or after installing the backguard to the range.

1. Loosen 4 bolts on the front of the backguard approximately 1/4" (6mm).
2. Align the 4 slotted holes on the back of the shelf with the 4 bolts on the backguard.
3. Slide the shelf downward until the 4 bolts are engaged in the slotted portion of the keyhole.
4. Tighten the 4 bolts to secure the shelf.
5. On 60" units only, install a sheet metal screw through the hole in the underside of the shelf into the backguard and tighten.

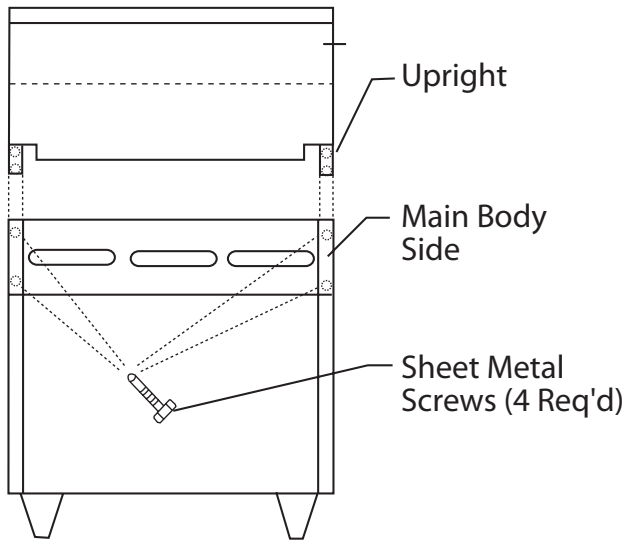


Backguard With High Shelf, Salamander Or Cheesemelters Mounting Instructions

1. Rear of the range must be easily accessible.
2. Place the backguard, high shelf, salamander, or cheesemelter on the rear of the range, slipping the support brackets into the openings in the main body sides.

INSTALLATION Continued

- Securely fasten the support brackets to the burner box sides with (4) sheet metal screws provided.



Ventilation Air

The following notes are intended to give general guidance. For detailed recommendations, refer to the applicable code(s) in the country of destination.

Proper ventilation is critical for optimum performance. The ideal method of ventilating open-top equipment is the use of a properly designed canopy that should extend six inches (152 mm), beyond all sides of the appliance(s) and six feet, six inches (1981mm) above the floor.

A strong exhaust will create a vacuum in the room. For an exhaust vent to work properly, replacement air must be equal to the amount of exhausted. An imbalance between exhaust and replacement air can cause degradation in the appliance's performance.

All gas burners and pilots need sufficient air to operate. Large objects should not be placed in front of the appliance(s) that would obstruct the flow of air into the front.

Statutory Regulations

The installation of this appliance must be carried out by a competent person and in accordance with the relevant regulations, codes of practice and the related publications of the country of destination.

The installation must conform to the National Fuel Gas Code ANSI Z223.1, or latest edition, NFPA No.54 - latest edition/or local code to assure safe and efficient operation. In Canada, the installation must comply with CSA B149.1 and local codes.

Gas Connection

The local gas authority should be consulted at the installation planning stage in order to establish the availability of an adequate supply of gas and to ensure that the meter is adequate for the required flow rate. The pipe work from the meter to the appliances must be an appropriate size.

All fixed (non-mobile) appliances MUST be fitted with an accessible Upstream gas shut off valve as a means of isolating the appliance for emergency shut off and for servicing. A union or similar means of disconnection must be provided between the gas-cock and the appliance.

A manually operable valve must be fitted to the gas supply to the kitchen to enable it to be isolated in an emergency. Wherever practical, this shall be located either outside the kitchen or near to an exit in a readily accessible position.

Where it is not practical to do this, an automatic isolation valve system shall be fitted which can be operated from a readily accessible position near to the exit.

In locations where the manual isolation valve is fitted or the automatic system can be reset a notice MUST be posted stating:

"ALL DOWNSTREAM BURNER AND PILOT VALVES MUST BE TURNED OFF PRIOR TO ATTEMPTING TO RESTORE THE SUPPLY. AFTER EXTENDED SHUT OFF, PURGE BEFORE RESTORING GAS."

Installation Notes

Before assembly and connection check gas supply.

- The type of gas for which the unit is equipped is stamped on the data plate located behind the lower front panel. Connect a unit stamped "NAT" only to natural gas; connect one stamped "PRO" only to propane gas.

INSTALLATION Continued

- B. If it is a new installation have the gas authorities check meter size and piping to assure that the unit is supplied with necessary amount of gas pressure required to operate the unit.
- C. If it is additional or replacement equipment have the gas authorities check pressure to make certain that existing meter and piping will supply fuel to the unit with no more than 0.15 Kpa pressure drop.
- D. Make certain new piping and connections have been made in a clean manner and have been purged so that piping compound, chips, etc. will not clog pilots, valves or burners. Use pipe joint compound approved for natural and liquefied petroleum gases.

The appliance and its individual shut-off valve must be disconnected from the gas supply piping system during any pressure testing of that system where pressures are in excess of 1/2 PSIG (3.45kPa.)

Final Preparation

NOTE: Your new range has a plastic coating to help protective the finish from scratches during shipping. This protective plastic film should be peeled off prior to starting the range.

TESTING AND ADJUSTMENT

Testing

All fittings and pipe connections must be tested for leaks. Use approved gas leak detectors, soap solution or equivalent, checking over and around all the fittings and pipe connections. **DO NOT USE A FLAME!** Accessibility to all gas lines and fittings require that valve panel(s) lower front panel(s), and/or oven rack(s) be removed. It may be necessary to remove, or at least raise and securely prop griddle(s), hot top(s), and/or top grate(s). All parts removed, (including fasteners), should be stored safely for re-installation.

1. Be sure that all valves and thermostats are in the "OFF" position.
2. Turn on the main gas supply valve. Light all top section pilots.
3. Leak test all valves and fittings as described at the beginning of this section. Correct any leaks as required and recheck.

4. Light the oven pilot.
5. Set the oven thermostat to maximum. Leak test all valves and fittings as described at the beginning of this section. Correct any leaks as required and recheck.
6. Shut off all valves and set thermostat dials to "OFF" or lowest position. All units are tested and adjusted at the factory, however, burners and pilots should be checked upon installation and adjusted if necessary.

CAUTION: Gas will flow to the top section burners even if top section pilots are not lit. Gas will not be interrupted. It is the responsibility of the operator to confirm the proper ignition of each burner as it is turned on. Should ignition fail to occur 4 seconds after turning a burner on, turn the burner off, wait 5 minutes, and try again.

OPERATION

Caution: In the event that a binding malfunction valve or thermostat control is observed DO NOT light the pilots or continue operation until an authorized service technician has inspected the appliance. Failure to do so may result in injury.

Open Top burners

Lighting

1. Light pilots adjacent to each burner.
2. Turn valve completely on. Burner flame should be 1/2" (13mm) high, stable and blue in color. It should also impinge on the bottom of a pot placed on the burner grate.

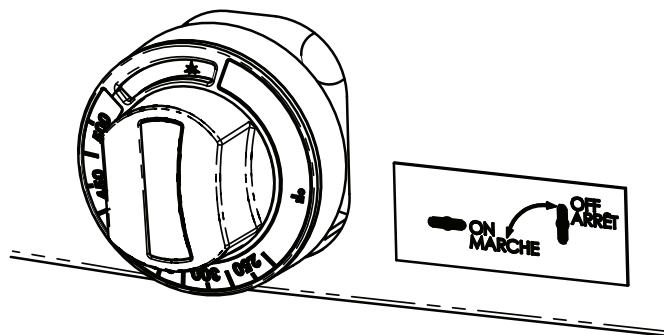
CAUTION: Should burner ignition fail within 4 seconds, turn the burner valve off and repeat steps 1 through 2. If ignition continues to fail, consult your factory authorized service agency.

Ovens (Standard)

Lighting

1. Lower front kick panel below oven door, raise oven hearth bottom for easy access to oven pilot.
2. Turn oven control knob (figure 1) to "★" position and then push in to engage the flow of gas through the safety device to the pilot.

Figure 1



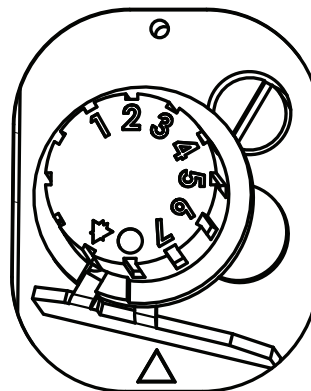
3. While holding knob in, light pilot with a match/BBQ lighter or use the spark ignition (if provided) to spark ignite pilot.
4. Continue to hold knob in for 15 seconds after ignition, then release. Pilot should remain lit.

5. If pilot burner fails to light or does not stay lit, wait 5 minutes and repeat steps 2 through 4.
6. Replace hearth and close kick panel, then turn oven thermostat to desired cooking temperature.
7. To shut down main burner turn control knob (figure 1) to "★" position.

Shut Down

If pilot shut down is required loosen the set screw on the knob and remove the outer temperature thermostat knob by carefully pulling it off. Then push in and turn the inner control knob (figure 2) to ● position. The system will disengage with 60 seconds.

Figure 2



Hot Top Sections

1. Raise or remove hot top plate section(s). Each burner has one pilot located at the front left side of the burner.
2. Light pilots. The pilot burner should be adjusted to provide for rapid ignition of the burner.
3. Turn the burner valve on. A sharp blue flame should be approximately 1/4-inch, (6mm), high.
4. Replace hot top sections.

Valve Controlled Griddles

See griddle seasoning before use.

1. Pilots should be lit though the front panel with an extend match. If necessary the front panel of the range can be removed to allow the griddle plates to be raised at the front, block securely.

OPERATION continued

2. Light pilots located at the front right side of each burner.
3. Turn burner valves completely on. Burners should have 1/2-inch to 5/8-inch, (13mm to 16mm), stable blue flame.
4. If the griddle has been raised, lower carefully into position and replace the front panel of the range.

Griddle/Broiler

(Models X60-6R24RR, X60-6R24SS, X60-6R24RS,

See griddle seasoning before use.

Before turning on main gas supply, be sure all burner valves are in the "OFF" position.

1. Eight (8) ceramic bricks are supplied with each range. These ceramics are to be placed in the burner section of the griddle / broiler before it is put into operation.

2. Each burner has a flange on each side which will serve as a rest for a pair of ceramics. Position two ceramics between each pair of burners with the projections facing downward. Place two ceramics between the outside burner on each side, using the side lining ledges as the outer support.
3. Light the pilots located in the broiler section.
4. Turn the burner valves completely on. Burners should exhibit a 5/16-inch stable blue flame.

NOTE: If burners need adjustment contact an authorized licensed gas technician.

Range Shut down

1. Turn all valves to the "OFF" position.
2. If the unit is to be shut down for an extended period of time, close the in-line gas valve.

PRODUCT APPLICATION INFORMATION

General

The range is the workhorse of the kitchen because of its versatility. Most frequently used in small applications, such as cafes, schools, church kitchens, firehouses, and small nursing homes where demands are less taxing. As a general rule of thumb, one four to six burner range with a hot top will be adequate for a restaurant seating 30 to 35.

The top of the range is designed for flexibility and the preparation of numerous different types of products. It may be equipped with two, or even three different types of tops and burners, depending on the menu needs. An operation that cooks to order, or uses the range primarily as back-up will find that open burners will suit most of their needs.

Preparation of soups, stocks, or sauces is done on a hot top where slow, even cooking is desirable.

Heating larger quantities of food can be done more efficiently than heating small quantities. Pots and pans should be covered whenever possible to reduce energy consumption.

High acid sauces, such as tomato should be cooked in stainless steel rather than aluminum to avoid chemical reaction. Light colored sauces such as Alfredo may be discolored by the use of aluminum, especially if stirred with a metal spoon or whip. Saltwater shellfish may pit aluminum pots if they are frequently used for this purpose.

NOTE: Many parts of the commercial range are raw steel. Hot tops, griddles, springs, door hooks etc., can react with the moisture forming rust. This occurrence is normal and not considered a defect. Clean with a stainless steel or fiber pad. A light coating of cooking oil may be applied.

Open Burners

The most traditional uses of open burners are sautéing, pan frying, and small stock pot work. Short-term cooking is the most efficient use for the open burner. Pans should cover as much of the grate as possible to minimize heat loss. The maximum stock pot size to be used on an open burner is 12 inches, (305 mm), diameter. Open burners should be turned off when not in use to conserve energy. Leaving a flame burning is of no advantage since the heat is instantaneous.

MAINTENANCE AND CLEANING

Seasoning

Griddle

- A. Remove all factory applied protective material by washing with hot water, mild detergent or soap solution.
- B. Apply a thin coat of cooking oil to the griddle surface, about one ounce per square foot of griddle surface. Spread over the entire griddle surface with a cloth to create a thin film. Wipe off any excess oil with a cloth.
- C. Light all burners, set at lowest possible setting. Some discoloration will occur when heat is applied to steel.
- D. Heat the griddle slowly for 15 to 20 minutes. Then wipe away oil. Repeat the procedure 2 to 3 times until the griddle has a slick, mirror like finish. Do this until you have reached the desired cooking temperature.

IMPORTANT: Do not set to a high position (on valve control) during "break-in" period

NOTE: Steel griddle surface will tone (blue discoloration) from heat. This toning will not diminish function or operation and it is not a defect.

The griddle will not require reseasoning if it is used properly. If the griddle is over heated and product begins to stick to the surface it may be necessary to repeat the seasoning process again. If the griddle is cleaned with soap and water it will be necessary to reseason the griddle surface.

Cast Iron top Grates

First, remove the cast iron top grates from the range. Wash the cast iron top grates thoroughly with a mild soap and warm water. Dry the cast-iron top grates thoroughly with a clean cloth. Immediately after drying, season the top grates lightly with a non-toxic oil, (Liquid vegetable oil or Pam spray oil) **WARNING; DO NOT SEASON THE TOP GRATES WHILE ON THE RANGE TOP!** Seasoning grates on the range top over an open flame could cause a flash fire. After seasoning, replace the top grates onto the range. Turn all the range top sections "ON LOW". Allow the top sections to burn in this manner for at least 20 minutes before using pots or pans on the top grates. **SEASONING OF THE TOP GRATES WILL BE REQUIRED WHENEVER THEY HAVE BEEN CLEANED. FAILURE TO SEASON GRATES WILL CAUSE RUSTING.**

Stainless Steel

For routine cleaning just wash with a hot water and detergent solution. Wash just a small area at a time or the water will evaporate leaving the chemicals behind causing streaking.

Rinse the washed area with a clean sponge dipped in a sanitizing solution and wipe dry with a soft clean cloth before it can dry.

Use a paste (of water and a mild scouring powder) if you have to, but never rub against the grain. All stainless steel has been polished in one direction. Rub with the polish lines to preserve the original finish. Then thoroughly rinse as before.

To prevent fingerprints there are several stainless steel polishes on the market that leave an oily or waxy film. Do not use on surfaces that will be in contact with food.

Stainless steel may discolor if overheated. These stains can usually be removed by vigorous rubbing with a scouring powder paste.

Use only stainless steel, wood or plastic tools if necessary to scrape off heavy deposits of grease and oil. Do not use ordinary steel scrapers or knives, as particles of the iron may become imbedded and rust. **STEEL WOOL SHOULD NEVER BE USED.**

Either a typical bleach solution or hot water can be used to sanitize stainless steel.

Oven Interior (Porcelain Enamel)

1. Before cleaning oven interior, remove all oven racks and guides. Oven racks and guides can be cleaned with a mild soap and warm water or run through dish washer.
2. The porcelain interior can be cleaned with oven cleaners such as "Easy Off, or "Dow Oven Cleaner".

Follow product manufacturer's instructions for proper use.

MAINTENANCE AND CLEANING Continued

Interior Cleaning of Standard Aluminized Steel Interior Surfaces

The oven sides and top linings are formed of heavy gauge steel with an aluminum fused into its surface to provide for the reflectance of heat back to the food being prepared and to virtually eliminate the possibility of rust formation. Establish a regular cleaning schedule or wipe off on the same day when spillovers occur.

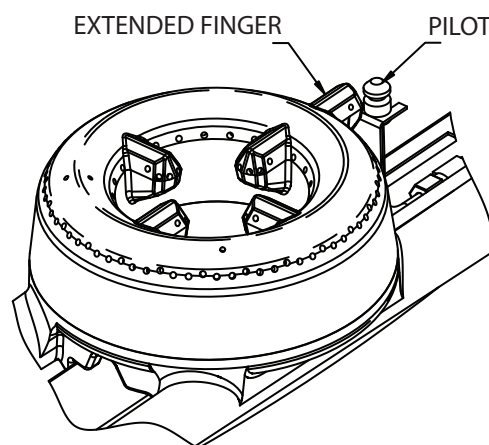
1. Cool down oven.
2. Remove oven racks.
3. Lift rack guides on either side of oven off of holders, pull the top away from the cavity wall, when it's cleared the clips push down and remove. Racks and guides may be run through dishwasher while oven cavity is being cleaned.
4. Use a concentrated detergent on a plastic pad to remove burned on soil. Do Not Use Steel Wool, Oven Cleaner Or Abrasive Powders. These will remove the aluminum. Rinse with warm water on a soft cloth. Be sure to remove all traces of detergent. Any discoloration, which may remain after the soil build-up has been removed, will not affect the performance of the oven.
5. To reinstall reverse procedure. Place the bottom of the rack guide against the cavity wall. Keeping the top pulled away from the wall lift up. Push the top of the rack guide against the wall and push down locking it into place.

Open Top Burners

Cleaning of the range top burner is a simple procedure, and, if done at regular intervals will prolong the life of the range and ensure good flame characteristics.

1. The most common problem with open burner ranges is spillage. Once the burner ports are partially plugged with food, the air-to-gas mixture is disturbed and results in an inefficient burner.
2. Wipe any spills as they occur.
3. Grids and trays should be removed daily, washed, rinsed and dried thoroughly.
4. Use a wire brush to clean the ports of the burners. Ignite and check for clogged holes.

5. If any clogged holes are apparent, the burner should be lifted out and brushed inside and out with a small Venturi brush. Each port on the burner itself should be cleaned with a properly sized wire or thumb drill. Wash with soap and hot water if grease is observed on the burners. Dry thoroughly.
6. When reinstalling the open top burner head be sure the burner ports are lined up correctly to the pilot. On the cast burner head there is an extended finger with port openings, when this is in line with the pilot, the burner is installed correctly.



7. If an abnormal flame appears around the edges, it is usually a sign of grease dirt in the throat of the burner. Remove the burner venturi (main body that the burner heads sit on) to access the air shutter opening. Remove grease and dirt from the air shutter area carefully. Do not adjusting the shutter setting. The air shutter allows the proper amount of air to mix with the flow of gas coming in from your valve/thermostat orifice and should not be adjusted unless by a license gas fitter technician.

Cast Iron Top & Grates

Cast iron top and grate(s) can be cleaned with mild soap and warm water. For baked on material, a wire brush can be used. Dry thoroughly. Lightly coat with vegetable oil to help prevent rust from forming.

MAINTENANCE AND CLEANING Continued

Hot Tops

While the surface is still slightly warm, wipe down with a clean burlap cloth. Burnt on spillage should be scraped off. If necessary, remove the plate and wash in a sink with soap and hot water. Dry thoroughly. In damp climates, wipe down with a light coating of oil to prevent rusting. Avoid excessive use of water as this could damage the surface and the controls below.

NOTE: Steel griddle and hot top surface will “tone” (blue/brown discoloration) from heat. This toning will not diminish function or operation and is not a defect.

Griddle

To produce evenly cooked, browned griddle products, keep griddle free from carbonized grease. Carbonized grease on the surface hinders the transfer of heat from the griddle surface to food product. This results in uneven browning and loss of cooking efficiency, and worst of all, carbonized grease tends to cling to grilled foods, giving them a highly unsatisfactory and unappetizing appearance. To keep the griddle clean and operating at peak performance, follow these simple instructions:

A. AFTER EACH USE clean griddle thoroughly with a grill scraper or spatula. Wipe off any excess debris left from cooking process.

B. ONCE A DAY clean griddle surface with a grill brick and grill pad. Remove grease container and clean thoroughly, in same manner as any ordinary cooking utensil.

C. ONCE A WEEK clean griddle surface thoroughly. If necessary, use a grill stone or grill pad over the griddle surface. Rub with grain of the metal while still warm. A detergent may be used on the plate surface to help clean it, but care must be taken to be sure it is thoroughly removed. After removal of detergent, the surface of the plate should be covered with a thin film of oil to prevent rusting. To remove discolorations, use a non-abrasive cleaner. Before re-using, the griddle must be reseasoned. Keep griddle drain tube to grease container clear at all times.

CAUTION This griddle plate is steel, but the surface is relatively soft and can be scored or dented by careless use of spatula.

Be careful not to dent, scratch, or gouge the plate surface. This will cause food to stick in those areas. Also, note, since this is a steel griddle if a light coating of oil is not always present rust will develop on exposed and uncoated areas.

SunFire®

INSTRUCTIONS D'INSTALLATION ET D'UTILISATION

LES CUISINIÈRES DE RESTAURANT À GAZ SUNFIRE SÉRIE X



Tous des 24, 36, et 60 pouce les modèles larges.

POUR VOTRE SÉCURITÉ:
NE PAS STOCKER NI UTILISER D'ESSENCE
OU D'AUTRES VAPEURS OU LIQUIDES
INFLAMMABLES À PROXIMITÉ DE CET
APPAREIL OU DE TOUT AUTRE APPAREIL

AVERTISSEMENT
UNE INSTALLATION, DES RÉGLAGES, DES
MODIFICATIONS, DES RÉPARATIONS OU UN
ENTRETIEN MAL FAITS PEUVENT CAUSER
DES DOMMAGES MATÉRIELS, DES BLES-
SURES OU LA MORT. LIRE SOIGNEUSE-
MENT LES INSTRUCTIONS D'INSTALLATION,
D'UTILISATION ET D'ENTRETIEN
AVANT D'INSTALLER OU DE RÉPARER
L'ÉQUIPEMENT.

LIRE TOUTES LES SECTIONS DU PRÉSENT
MANUEL ET LE CONSERVER POUR S'Y REPORTER
ULTÉRIEUREMENT.

CE PRODUIT A ÉTÉ HOMOLOGUÉ EN TANT
QU'ÉQUIPEMENT PROFESSIONNEL DE CUISSON
ET DOIT ÊTRE INSTALLÉ PAR DU PERSONNEL
PROFESSIONNEL TEL QUE SPÉCIFIÉ.

DANS L'ÉTAT DU MASSACHUSETTS, CE PRODUIT
DOIT ÊTRE INSTALLÉ PAR UN PLOMBIER OU UN
MONTEUR D'INSTALLATION AU GAZ.

Pour votre sécurité
Placer dans un endroit bien en vue les
instructions à suivre en cas d'odeur de gaz
détectée par l'utilisateur. Cette information peut
être obtenue auprès du fournisseur de gaz local.

L'attention des utilisateurs est attirée sur le fait que l'entretien et les réparations doivent être effectués par un agent d'entretien autorisé par Garland utilisant des pièces de rechange d'origine Garland. Garland n'aura aucune obligation en ce qui concerne n'importe quel produit mal installé, réglé, utilisé ou qui n'aurait pas été entretenu conformément aux codes nationaux et locaux ou aux instructions d'installation fournies avec le produit ou n'importe quel produit dont le numéro de série aurait été mutilé, oblitéré ou supprimé ou qui aurait été modifié ou réparé avec des pièces non autorisées ou par des agents d'entretien non autorisés. Pour obtenir la liste des agents de service autorisés, consulter le site web de Garland à : <http://www.garland-group.com>. Les renseignements contenus dans le présent document (y compris la conception et les spécifications des pièces) peuvent être remplacés ou modifiés sans préavis.

General Inquires 1-905-624-0260
USA Sales 1-800-424-2411
Canadian Sales 1-888-442-7526
Canada or USA Parts/Service 1-844-724-2273

GARLAND COMMERCIAL RANGES, LTD.
1177 Kamato Road, Mississauga, Ontario L4W 1X4
CANADA
Téléphone : 905-624-0260
Télécopieur : 905-624-5669

INFORMATIONS IMPORTANTES

AVERTISSEMENT

Ce produit contient des produits chimiques reconnus par l'état de Californie comme causant le cancer et/ou des malformations congénitales ou d'autres problèmes de reproduction. L'installation et l'entretien de ce produit peut vous exposer aux poussières de laine de verre/fibres céramiques. L'inhalation de ces particules de laine de verre ou de fibres céramiques est reconnue par l'état de Californie comme causant le cancer. L'utilisation de ce produit peut vous exposer au monoxyde de carbone en cas de mauvais réglage. L'inhalation de monoxyde de carbone est reconnue par l'état de Californie comme pouvant causer des malformations congénitales ou d'autres problèmes reproductifs.

**Maintenir les abords de l'appareil
dégagés et ne pas y stocker de produits combustibles**

TABLE DES MATIÈRES

INFORMATIONS IMPORTANTES	16	ESSAIS ET RÉGLAGES	22
DIMENSIONS ET SPÉCIFICATIONS	18	Essais	22
Dégagements	18	UTILISATION	23
Pressions Du Gaz	18	Brûleurs De Plaque Ouverte	23
Dimension D'entrée Du Gaz	18	Fours (standard)	23
Débits Calorifiques Des Brûleurs Individuels ..	18	Sections De Plaque De Cuisson	23
Désignations Des Modèles De Base Et Débits Calorifiques Totaux	19	Grils Commandés Par Robinet	24
INTRODUCTION	19	Gril/Rôtissoire	24
Plaque Signalétique	19	Arrêt De La Cuisinière	24
INSTALLATION	20	INFORMATIONS D'APPLICATION DES PRODUITS	25
Implantation	20	Généralités	25
Appareils Équipés De Roulettes	20	ENTRETIEN ET NETTOYAGE	26
Appareils Équipés De Pieds	20	Apprêtage	26
Installation De L'étagère Sur Le Dosseret	20	Gril	26
Dosseret Avec Étagère Haute, Instructions De Montage De Salamandre Ou De Salamandre À Fromage	20	Grilles Supérieures En Fontes	26
Air De Ventilation	21	Acier Inoxydable	26
Réglementation Légale	21	Intérieur Du Four (Émail Vitrifié)	26
Connexion Du Gaz	21	Nettoyage Des Surfaces Intérieures En Acier Aluminisé Standard	27
Instructions Avant Installation	21	Brûleurs De Plaque Ouverte	27
Préparation Finale	22	Plaques Et Grilles En Fonte	27
		Plaques De Cuisson	28
		Gril	28

DIMENSIONS ET SPÉCIFICATIONS

Dégagements

Dégagements Applicables À Tous Les Modèles		
Surface	Côtés	Arrière
Minimum Mur Combustible	14 po (356mm)	6 po (152 mm)
Minimum Mur Non Combustible	0 po	0 po

Pressions Du Gaz

Gaz	Pression Minimum D'alimentation	Pression De Fonctionnement Du Collecteur
Naturel	7 po CE (17,5 mbars)	4,5 po CE (11,25 mbars)
Propane	11 po CE (20 mbars)	10 po CE (25 mbars)

Dimension D'entrée Du Gaz

Largeur Du Modèle	Connexion
24 po (610 mm) et 36 po (914 mm)	Connexion Arrière Du Gaz 3/4 po NPT
60 po (1 524mm)	Connexion Arrière Du Gaz 1 po NPT

Débits Calorifiques Des Brûleurs Individuels

Brûleur	Débit En BTU/H	
	Gaz Naturel	Gaz Propane
Plaque Ouverte	30,000	26,000
Brûleur De Plaque De Cuisson (Au Lieu De Deux Brûleurs Ouverts)	18,000	18,000
Brûleur De Gril (Au Lieu De Deux Brûleurs Ouverts)	18,000	18,000
Gril/Rôtissoire Augmenté (Se compose de 3 brûleurs)	33,000	33,000
Brûleur De Four Pour Four Standard	33,000	29,000
Four Économiseur D'espace	25,000	25,000

Débits calorifiques pour installations jusqu'à 2 000 pi (610 m) au-dessus du niveau de la mer.

DIMENSIONS ET SPÉCIFICATIONS (suite)

Désignations Des Modèles De Base Et Débits Calorifiques Totaux

Modèle n°	Description	Débit En BTU/H	
		Gaz Naturel	Gaz Propane
X24-4S	Unité de 24 po (610 mm) de taille nominale, 4 brûleurs ouverts, base de rangement	120,000	104,000
X24-4L	Unité de 24 po (610 mm) de taille nominale, 4 brûleurs ouverts, four économiseur d'espace	145,000	129,000
X36-6S	Unité de 36 po (914 mm) de taille nominale, 6 brûleurs ouverts, base de rangement	180,000	156,000
X36-6R	Unité de 36 po (914 mm) de taille nominale, 6 brûleurs ouverts, four standard	213,000	185,000
X60-10RS	Unité de 60 po (1524 mm) de taille nominale, 10 brûleurs ouverts, four standard, base de rangement	333,000	289,000
X60-10RR	Unité de 60 po (1524 mm) de taille nominale, 10 brûleurs ouverts, 2 fours standard	366,000	318,000
X60-6R24SS	Unité de 60 po (1524 mm) de taille nominale, 6 brûleurs ouverts, 24 po (610mm) gril/rôtissoire augmenté, 2 base de rangements	203,000	189,000
X60-6R24RS	Unité de 60 po (1524 mm) de taille nominale, 6 brûleurs ouverts, 24 po (610mm) gril/rôtissoire augmenté, four standard, base de rangement	246,000	218,000
X60-6R24RR	Unité de 60 po (1524 mm) de taille nominale, 6 brûleurs ouverts, 24 po (610mm) gril/rôtissoire augmenté, 2 fours standard	279,000	247,000

Débits calorifiques pour installations jusqu'à 2 000 pi (610 m) au-dessus du niveau de la mer.

INTRODUCTION

1. Assurez-vous que la caisse n'a subi aucun dommage pendant son transport. Retirez soigneusement l'unité de son carton ou sa caisse, et essayez de nouveau de déceler tout dommage éventuel. Vous devez signaler immédiatement au transporteur tout dommage occasionné à l'appareil.
2. Les fils de fer retenant les brûleurs et autres matériaux d'emballage doivent être retirés des appareils. Tout le matériel de protection couvrant les pièces en acier inoxydable doit également être retiré.
3. Tout l'équipement est livré avec pieds de 6 po (152 mm) sauf indication contraire, à savoir estrade pour montage de plinthe, roulettes ou pieds à bride montés sur tablier Les unités de 60 po (1 524 mm) de large ont des pieds montés en usine. Un montage sur base est nécessaire quand la cuisinière est installée sur un plancher combustible.
4. Le type de gaz et la pression d'alimentation pour lesquels l'équipement a été réglé en usine sont notés sur la plaque signalétique et sur l'emballage. Vous devez utiliser ce type de gaz.
5. Ne retirez pas de l'appareil les étiquettes, avertissements ou plaques signalétiques apposés de façon permanente, car cela peut annuler la garantie du fabricant.

Plaque Signalétique

Tous les débits calorifiques des brûleurs sont indiqués sur la plaque signalétique de chaque appareil et sont facilement lisibles en ouvrant la porte émaillée sous le panneau de commande.

INSTALLATION

Ce produit a été homologué en tant qu'équipement de cuisson commercial et doit être installé par du personnel professionnel comme spécifié. CET APPAREIL N'EST PAS RECOMMANDÉ POUR UNE INSTALLATION RÉSIDENNELLE.

Nous suggérons de faire faire l'installation, l'entretien et les réparations par une agence de service agréée locale de Garland/US Range.

Implantation

Le plancher sur lequel l'appareil doit être posé doit pouvoir supporter le poids de l'appareil et de tout l'équipement auxiliaire. Les appareils avec fours doivent être équipés de pieds s'ils sont installés sur un plancher combustible. Un dégagement suffisant doit être prévu pour l'entretien et l'utilisation.

Appareils Équipés De Roulettes

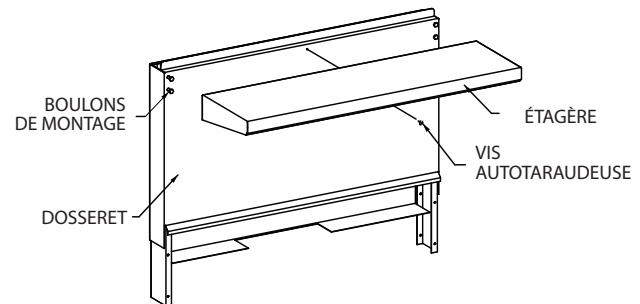
- 1 L'installation sera faite avec un raccord conforme à la norme Connectors for Movable Gas Appliances, ANSI Z21.69/CSA 6.16, Addenda Z21.69B-2006/CSA 6.16B-2006 (ou la dernière édition) et un raccord rapide conforme à la norme Standard for Quick Disconnects for Use with Gas Fuel, ANSI Z21.4 1/CSA 6.9, Addenda Z21.4 1A-2005/CSA 6.16A-2005 (ou la dernière édition).
2. Les roulettes avant de l'appareil sont dotées de freins qui limitent les déplacements de l'appareil sans que le connecteur ou le raccord rapide ou sa tuyauterie n'interviennent pour limiter les mouvements de l'appareil.
3. Noter que le dispositif de fixation requis est fixé à une bride sur la friteuse (le point de fixation est situé sur la roulette arrière gauche de la friteuse) et, s'il est nécessaire de détacher le dispositif de fixation, ne pas oublier de le rattacher une fois la friteuse remise dans sa position d'origine.

Appareils Équipés De Pieds

1. Soulever l'avant de l'appareil et l'immobiliser. Ne pas coucher l'appareil sur l'arrière.
2. Les pieds sont filetés pour être vissés facilement dans les trous prévus sous la cuisinière.
3. Une fois les pieds vissés en place, ils peuvent être réglés pour mettre l'appareil de niveau et compenser un sol inégal.

Installation De L'étagère Sur Le Dossieret

Remarque : L'étagère peut être installée avant ou après avoir installé le dossieret sur la cuisinière.

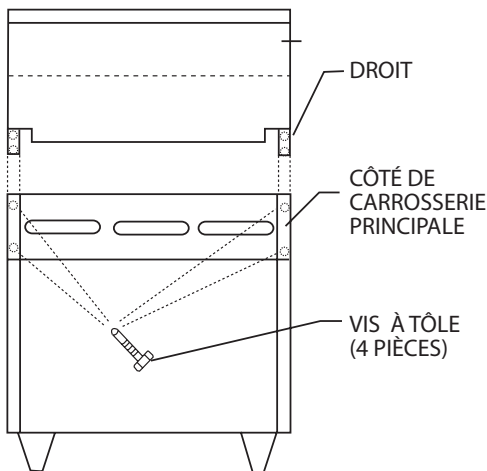


1. Desserrer les 4 boulons à l'avant du dossieret d'environ ¼ po (6 mm).
2. Aligner les 4 trous allongés à l'arrière de l'étagère avec les 4 boulons sur le dossieret.
3. Faire glisser l'étagère vers le bas jusqu'à ce que les 4 boulons soient engagés dans la partie allongée du trou de serrure.
4. Serrer les 4 boulons pour immobiliser l'étagère.
5. Sur les appareils de 60 po seulement, installer une vis Parker dans le trou sous l'étagère dans le dossieret et serrer la vis.

Dossieret Avec Étagère Haute, Instructions De Montage De Salamandre Ou De Salamandre À Fromage

1. L'arrière de la cuisinière doit être facilement accessible.
2. Placer le dossieret, l'étagère haute, la salamandre ou la salamandre à fromage sur l'arrière de la cuisinière, en faisant glisser les supports dans les ouvertures des côtés de carrosserie principale.
3. Bien fixer les supports aux côtés du boîtier des brûleurs avec (4) vis à tôle fournie.

INSTALLATION (suite)



Air De Ventilation

Les notes suivantes sont destinées à donner une orientation générale. Pour des recommandations détaillées, se référer aux codes applicables dans le pays de destination.

Une bonne ventilation est absolument essentielle pour un rendement optimal. La méthode idéale de ventilation de l'équipement à plaques ouvertes est une hotte correctement conçue, se prolongeant de six pouces (152 mm) de tous les côtés de l'appareil et située à six pieds six pouces (1981 mm) du sol.

Une forte aspiration risque de créer une dépression dans la pièce. Pour qu'un ventilateur d'extraction fonctionne correctement, la quantité d'air de remplacement doit être égale à la quantité d'air évacuée. Un déséquilibre entre l'air évacué et l'air de remplacement peut réduire les performances de l'appareil.

Tous les brûleurs à gaz et veilleuses ont besoin de suffisamment d'air pour fonctionner. Ne pas placer d'objets encombrants devant les appareils, car ils pourraient obstruer l'admission d'air par l'avant.

Réglementation Légale

L'installation de cet appareil doit être faite par une personne compétente et conformément aux règlements concernés, codes de pratique et publications connexes du pays de destination.

L'installation doit être conforme au National Fuel Gas Code ANSI Z223.1, ou la dernière édition, la norme NFPA No.54 – dernière édition/ou le code local pour assurer un fonctionnement sécuritaire et efficace. Au Canada, l'installation doit être conforme à la norme CSA B149.1 et aux codes locaux.

Connexion Du Gaz

Consulter la compagnie locale de gaz au moment de la planification de l'installation de façon à établir la disponibilité d'une alimentation en gaz suffisante et de s'assurer que le compteur correspond au débit nécessaire. La canalisation entre le compteur et les appareils doit être de diamètre approprié.

Tous les appareils fixes (non mobiles) DOIVENT être équipés d'un robinet de gaz manuel en amont de l'appareil pour pouvoir isoler l'appareil lors de toute intervention d'entretien ou de nettoyage. Un raccord union ou tout autre moyen de déconnexion doit être installé entre le robinet de gaz et l'appareil.

Un robinet à commande manuelle doit être installé sur l'arrivée de gaz dans la cuisine pour permettre d'isoler la cuisine en cas d'urgence. Chaque fois que cela est possible, ce robinet sera installé soit à l'extérieur de la cuisine ou près d'une sortie dans un endroit facile d'accès.

Lorsque cela est impossible, un système automatique de robinet d'isolement doit être installé à un endroit facile d'accès près de la sortie.

L'avertissement suivant DOIT être affiché dans l'endroit d'installation du robinet d'isolement ou du système automatique :

« TOUS LES ROBINETS DE BRÛLEURS ET DE VEILLEUSES EN AMONT DOIVENT ÊTRE MIS EN POSITION D'ARRÊT AVANT D'OUVRIER L'ALIMENTATION. APRÈS UN PÉRIODE D'ARRÊT PROLONGÉE. PURGER AVANT DE REBRANCHER LE GAZ ».

Instructions Avant Installation

Avant le montage et le branchement, vérifier l'alimentation en gaz.

- A. Le type de gaz pour lequel l'appareil est équipé est estampillé sur la plaque signalétique située sur le panneau intérieur de porte. Brancher un appareil estampillé « NAT » au gaz naturel et un appareil estampillé « PRO » au gaz propane.

INSTALLATION (suite)

- B. S'il s'agit d'une installation neuve, faire vérifier par le fournisseur de gaz le diamètre du compteur et des conduites afin de s'assurer que l'appareil reçoit une pression de gaz suffisante pour fonctionner correctement.
- C. S'il s'agit d'un équipement supplémentaire ou de remplacement, demander au fournisseur de gaz de vérifier la pression afin de s'assurer que le compteur et les conduites existants alimenteront l'appareil sans chute de pression supérieure à 0.15 Kpa de colonne d'eau.
- D. S'assurer que les tuyauteries, joints et branchements neufs ont été exécutés proprement et ont été purgés de façon à ce que la graisse à filetage, les copeaux, etc. ne bouchent pas les veilleuses, robinets et/ou les commandes. Utiliser du produit d'étanchéité pour joint homologué pour une utilisation avec le gaz de pétrole liquéfié.

Cet appareil et son robinet d'arrêt du gaz individuel doivent être débranchés du système d'alimentation en gaz lors de tout essai de pression de ce système à des pressions dépassant 1/2 lb/po² (3,45 kPa).

Préparation Finale

NOTA : Toute nouvelle cuisinière a un revêtement plastifié pour protéger le fini des rayures pendant le transit. Ce film plastique protecteur doit être retiré avant de faire fonctionner la cuisinière.

ESSAIS ET RÉGLAGES

Essais

Tous les raccords et connexions de tuyau doivent être testés pour déceler les fuites. Utiliser des détecteurs de fuite de gaz agréés, une solution savonneuse ou un produit équivalent pour vérifier sur et autour de tous les raccords et connexions de tuyaux. **NE PAS UTILISER DE FLAMME** L'accessibilité à tous les conduits de gaz et aux raccords exige que l'on dépose les panneaux des robinets, les panneaux inférieurs avant et/ou les grilles des fours. Il peut être nécessaire de démonter, ou au moins de soulever et de fixer dans cette position les grils, plaques de cuisson et/ou grilles supérieures. Toutes les pièces démontées (y compris les pièces de fixation) doivent être rangées dans un endroit sûr pour le remontage.

1. S'assurer que tous les robinets et thermostats sont en position « OFF ».
2. Ouvrir le robinet principal de gaz. Allumer toutes les veilleuses de la section supérieure.
3. Vérifier la présence de fuites aux robinets et raccords comme décrit au début de cette section. Réparer les fuites si nécessaire et vérifier de nouveau.

4. Allumer la veilleuse du four.
5. Régler le thermostat du four au maximum. Vérifier la présence de fuites aux robinets et raccords comme décrit au début de cette section. Réparer les fuites si nécessaire et vérifier de nouveau.
6. Fermer tous les robinets et régler les cadrans des thermostats à "OFF" ou la position la plus basse. Tous les appareils sont testés et réglés en usine; cependant, les brûleurs et les veilleuses devraient être vérifiés lors de l'installation et réglés si nécessaire.

ATTENTION : Le gaz passera dans les brûleurs de la section supérieure, même si les veilleuses de cette section ne sont pas allumées. L'alimentation en gaz ne sera pas interrompue. Il est de la responsabilité de l'opérateur de vérifier l'allumage de chaque brûleur quand il est mis en fonction. Si l'allumage ne se fait pas dans un délai de 4 secondes après l'avoir ouvert, fermer le robinet du brûleur, attendre 5 minutes et refaire un essai.

UTILISATION

Attention : Si on se rend compte qu'un robinet ou une commande thermostatique est grippé, NE PAS allumer les veilleuses ni continuer d'utiliser l'appareil avant qu'un réparateur agréé n'ait vérifié l'appareil. Tout manquement à cette instruction pourrait causer des blessures.

Brûleurs De Plaque Ouverte

Allumage

1. Allumer les veilleuses près de chaque brûleur.
2. Ouvrir complètement le robinet. La flamme du brûleur devrait être haute de 1/2 po (13 mm), stable et de couleur bleue. Elle devrait également toucher le fond d'une marmite placée sur la grille du brûleur.

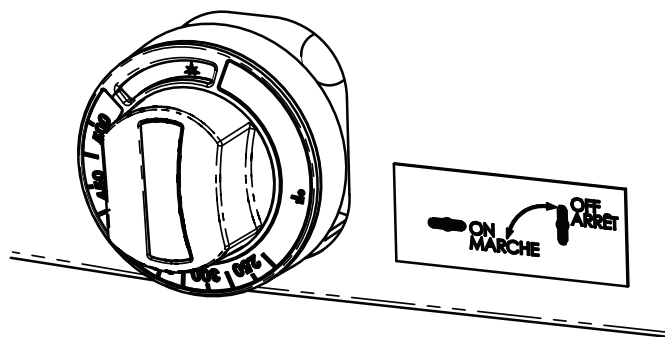
ATTENTION : Si la veilleuse ne s'allume pas au bout de 4 secondes, fermer le robinet du brûleur et recommencer les étapes 1 à 2. Si l'allumage ne se fait toujours pas, consulter l'agence de service agréée par l'usine.

Fours (standard)

Allumage

1. Abaisser la plaque de bas de porte avant sous la porte du four et soulever la sole du four afin d'accéder facilement à la veilleuse du four.
2. Tourner le bouton de commande du four (figure 1) en position « ★ » et le pousser ensuite pour faire passer le gaz dans le dispositif de sécurité jusqu'à la veilleuse.

Figure 1



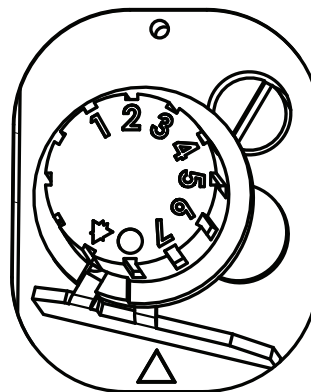
3. Tout en maintenant le bouton enfoncé, allumer la veilleuse avec une allumette/un briquet pour barbecue ou utiliser le module d'allumage à étincelles (le cas échéant) pour allumer la veilleuse.

4. Maintenir le bouton enfoncé pendant 15 secondes après l'allumage, puis le relâcher. La veilleuse devrait rester allumée.
5. Si la veilleuse ne s'allume pas ou ne reste pas allumée, attendre 5 minutes et répéter les étapes 2 à 4.
6. Remettre en place la sole et fermer la plaque de bas de porte, puis tourner le thermostat du four à la température de cuisson souhaitée.
7. Pour éteindre le brûleur principal, tourner le bouton de commande (figure 1) en position « ★ ».

Arrêt

S'il est nécessaire d'arrêter les veilleuses, desserrer la vis de réglage sur le bouton et retirer le bouton extérieur du thermostat de température en le tirant avec précaution. Ensuite, enfoncer et tourner le bouton intérieur de commande (figure 2) en position ●. Le système se désactivera dans un délai de 60 secondes.

Figure 2



Sections De Plaque De Cuisson

1. Soulever ou retirer les sections de plaque de cuisson. Chaque brûleur est doté d'une veilleuse située à l'avant gauche du brûleur.
2. Allumer les veilleuses. La veilleuse doit être réglée de façon à allumer rapidement le brûleur.
3. Ouvrir le robinet du brûleur. La flamme, d'un bleu vif, devrait avoir une hauteur approximative de 1/4 po (6 mm).
4. Remettre en place les plaques de cuisson.

UTILISATION (suite)

Grils Commandés Par Robinet

Voir Apprêtage des grils avant toute utilisation.

1. Les veilleuses peuvent être allumées à travers le panneau avant avec une allumette longue. Si nécessaire, il est possible de retirer le panneau avant de la cuisinière pour pouvoir lever les plaques du gril à l'avant et les immobiliser.
2. Allumer les veilleuses placées à l'avant, du côté droit de chaque brûleur.
3. Ouvrir complètement les robinets des brûleurs. Les brûleurs devraient avoir une flamme stable bleue, d'une hauteur de 1/2 po à 5/8 po (13 à 16 mm).
4. Si le gril a été levé, l'abaisser soigneusement en place et remettre en place le panneau avant de la cuisinière.

Gril/Rôtissoire

(Modèles X60-6R24RR, X60-6R24SS, X60-6R24RS)

Voir Apprêtage des grils avant toute utilisation.

Avant d'ouvrir le robinet principal de gaz, vérifier que tous les robinets des brûleurs sont fermés.

1. Huit (8) briques en céramique sont livrées avec chaque cuisinière. Ces briques en céramique doivent être placées dans la section brûleur du gril/rôtissoire avant sa mise en opération.
2. Chaque brûleur a une bride de chaque côté qui sert de support pour un paire de radiants en céramique. Placer deux radiants en céramique entre chaque paire de brûleurs avec les parties en saillie dirigées vers le bas. Placer deux radiants en céramique entre le brûleur extérieur et chaque côté, en utilisant les rebords latéraux comme support extérieur.
3. Allumer les veilleuses situées dans la section rôtissoire.
4. Ouvrir complètement les robinets des brûleurs. Les brûleurs devraient avoir une flamme bleue et stable d'une hauteur de 5/16 po (8 mm).

Arrêt De La Cuisinière

1. Tourner tous les robinets en position d'arrêt (« OFF »).
2. Si la cuisinière doit être arrêtée pour une période de temps prolongée, fermer le robinet de gaz de la conduite.

Généralités

La cuisinière est l'appareil le plus utilisé dans la cuisine à cause de sa polyvalence. Elle est utilisée le plus souvent dans les petites applications comme les cafés, les écoles, les cuisines d'église, les casernes de pompiers et les petites maisons de repos où les exigences sont moins grandes. En général, une cuisinière comportant quatre à six brûleurs avec une plaque chauffante sera adaptée pour un restaurant de 30 à 35 couverts.

Le dessus de la cuisinière est conçu pour la flexibilité et la préparation de nombreux types de produits différents. Il peut être équipé de deux ou même trois différents types d'appareils et de brûleurs, en fonctions des besoins en matière de menus. Dans un établissement qui cuisine à la commande ou utilise la cuisinière principalement en secours, des brûleurs ouverts répondront à la plupart de leurs besoins.

La préparation de soupes, bouillons ou sauces se fait sur une plaque chauffante, où on obtient une cuisson lente et régulière.

On peut plus efficacement chauffer de grandes quantités d'aliments que de petites quantités. Les pots et les plats doivent être couverts si possible afin de réduire la consommation d'énergie.

Les sauces très acides, comme la sauce tomate, devraient être cuites dans de l'acier inoxydable plutôt que dans de l'aluminium pour éviter toute réaction chimique. Les sauces de couleur claire, comme la sauce Alfredo, peuvent être

décolorées par l'aluminium, en particulier si on utilise une cuillère ou un fouet en métal. Les crustacés et coquillages marins peuvent piquer les pots en aluminium si on les utilise souvent à cet usage.

NOTA : De nombreuses pièces de la cuisinière sont en acier brut. Les plaques chauffantes, grils, ressorts, crochets de porte, etc. peuvent réagir avec l'humidité et former de la rouille. Cela est normal et n'est pas considéré comme un défaut. Nettoyer avec un tampon de laine d'acier inoxydable ou de fibre. On peut appliquer une légère couche d'huile à friture.

Brûleurs Ouverts

On utilise surtout les brûleurs ouverts pour faire sauter les aliments, les frire à la poêle et les faire cuire dans de petites marmites. Les cuissons rapides constituent l'utilisation la plus efficace des brûleurs ouverts. Les poêles devraient couvrir la surface maximale de la grille afin de réduire au minimum les pertes de chaleur. Le diamètre maximal d'un pot à utiliser sur un brûleur ouvert est de 12 pouces (305 mm). Les brûleurs ouverts doivent être éteints lorsqu'ils ne sont pas utilisés afin d'économiser l'énergie. Le fait de laisser une flamme brûler ne présente aucun avantage puisque la chaleur est instantanée.

Apprêtage

Gril

- A. Éliminer tout produit de protection appliqué en usine en lavant avec de l'eau très chaude et un détergent doux ou une solution savonneuse.
- B. Appliquer une mince couche d'huile à friture sur la surface du gril ; environ une once par pied carré de surface du gril. L'étaler sur toute la surface du gril avec un torchon pour créer une mince couche. Essuyer tout excès avec un torchon.
- C. Allumer tous les brûleurs et les régler le plus bas possible. Une certaine décoloration peut se produire quand l'acier est chauffé.
- D. Chauffer le gril lentement pendant 15 à 20 minutes. Essuyer ensuite l'huile. Répéter la procédure 2 à 3 fois jusqu'à ce que le gril ait un aspect brillant, comme un miroir. Procéder ainsi jusqu'à obtention de la température de cuisson souhaitée.

IMPORTANT : Ne pas régler en position « High » (sur la commande de robinet) ou sur 450 ° (sur la commande thermostatique) pendant la période d'« apprêt ».

NOTA : La chaleur cause une décoloration de la surface en acier du gril (bleu). Cette patine ne diminue pas le fonctionnement ni l'utilisation et ne constitue pas un défaut.

Le gril n'aura pas besoin d'un nouvel apprêt s'il est utilisé correctement. Si le gril est surchauffé et si les aliments commencent à coller à la surface, il peut être nécessaire de recommencer la procédure d'apprêt. Si le gril est nettoyé avec de l'eau et du savon, il sera nécessaire de réapprêter la surface du gril.

Grilles Supérieures En Fontes

D'abord, retirer les grilles supérieures en fonte de la cuisinière. Laver soigneusement les grilles supérieures en fonte avec de l'eau tiède et du savon doux. Sécher soigneusement les grilles supérieures en fonte avec un torchon propre. Immédiatement après le séchage, apprêter légèrement les grilles supérieures avec une huile non toxique (huile végétale ou huile à pulvériser Pam). **AVERTISSEMENT :** NE PAS APPRÊTER LES GRILLES SUPÉRIEURES PENDANT QU'ELLES SONT SUR LE DESSUS DE LA CUISINIÈRE. Le fait d'apprêter les grilles sur la table de cuisson au-dessus d'une flamme nue pourrait causer un embrasement instantané. Après l'apprêtage, remettre en place les grilles supérieures sur la cuisinière. Allumer toutes les plaques de cuisson de la cuisinière en position «LOW». Laisser les plaques de cuisson

chauffer ainsi pendant au moins 20 minutes avant d'utiliser des casseroles ou des poêles sur les grilles supérieures UN APPRÊTAGE DES GRILLES SUPÉRIEURES EST NÉCESSAIRE CHAQUE FOIS QU'ELLES ONT ÉTÉ NETTOYÉES. LE FAIT DE NE PAS APPRÊTER LES GRILLES CAUSERA L'APPARITION DE ROUILLE.

Acier Inoxydable

Pour le nettoyage régulier, laver simplement avec de l'eau chaude et une solution de détergent. Laver une petite surface à la fois sinon l'eau s'évaporerait laissant derrière elle des produits chimiques faisant des traînées.

Rincer la zone lavée avec une éponge propre trempée dans une solution désinfectante et l'essuyer avec un chiffon propre et doux avant qu'elle ne sèche.

Utiliser une pâte (composée d'eau et d'une poudre à récurer douce) si nécessaire, mais ne jamais frotter dans le sens contraire du grain. Tout acier inoxydable a été poli dans un sens. Frotter dans le sens de polissage pour conserver le fini d'origine. Rincer ensuite soigneusement.

Pour éviter les traces de doigts, il existe plusieurs produits à polir pour acier inoxydable sur le marché qui laissent un film huileux ou ciré. Ne pas utiliser ces produits sur les surfaces en contact avec les aliments .

L'acier inoxydable peut se décolorer s'il est surchauffé. Ces taches peuvent habituellement être éliminées en les frottant fortement avec une pâte à base de poudre à récurer.

Utiliser uniquement des outils en acier inoxydable, en bois ou en plastique pour gratter les dépôts épais de graisse et d'huile. Ne pas utiliser de grattoirs ou couteaux en acier ordinaire, étant donné que des particules de fer risquent de s'incruster dans le métal et de rouiller. **NE JAMAIS UTILISER DE LAINE D'ACIER.**

On peut utiliser de l'eau de Javel en solution ou de l'eau très chaude pour désinfecter l'acier inoxydable sans l'endommager.

Intérieur Du Four (Émail Vitrifié)

1. Avant de nettoyer l'intérieur du four, retirer du four les grilles et crémaillères. Les grilles et crémaillères du four peuvent être nettoyées avec de l'eau tiède et du savon doux ou être passées au lave-vaisselle.
2. L'intérieur émaillé peut être nettoyé avec des produits de nettoyage comme « Easy Off » ou « Dow Oven Cleaner ».

Suivre les instructions d'utilisation du fabricant du produit.

ENTRETIEN ET NETTOYAGE (suite)

Nettoyage Des Surfaces Intérieures En Acier Aluminisé Standard

Les garnissages latéraux et supérieur du four sont en acier épais avec de l'aluminium noyé dans sa surface pour réfléchir la chaleur sur les aliments préparés et éliminer pratiquement tout risque de formation de rouille. Établir un calendrier de nettoyage régulier ou essuyer le jour même en cas de déversements.

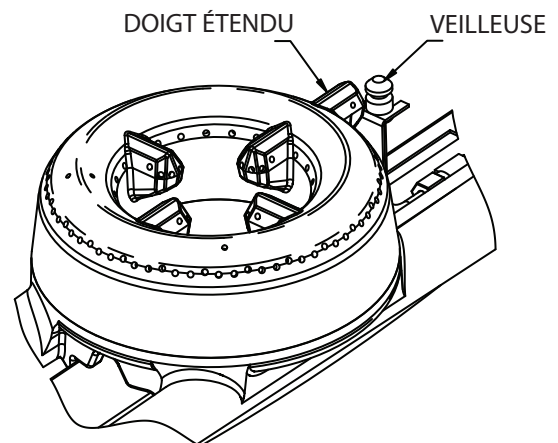
1. Refroidir le four.
2. Retirer les grilles du four.
3. Soulever les crémaillères des supports de chaque côté du four, dégager le haut de la paroi du four et, une fois dégagées des clips, les tirer vers le bas et les sortir. Les grilles et les crémaillères peuvent être passées au lave-vaisselle pendant le nettoyage de l'intérieur du four.
4. Utiliser un détergent concentré sur un tampon en plastique pour éliminer la saleté brûlée. Ne pas utiliser de laine d'acier, de produits de nettoyage pour four ni de poudres abrasives. Ces produits retireront la couche d'aluminium. Rincer avec de l'eau tiède sur un chiffon doux. Bien éliminer toutes les traces de détergent. Toute décoloration pouvant rester une fois l'accumulation de saleté éliminée n'affectera pas le fonctionnement du four.
5. Pour le remontage, inverser la procédure. Placer le bas de la crémaillère contre la paroi intérieure du four. En maintenant le haut écarté de la paroi, lever la crémaillère. Pousser le haut de la crémaillère contre la paroi et pousser vers le bas pour la verrouiller en place.

Brûleurs De Plaque Ouverte

Le nettoyage d'un brûleur de cuisinière est une procédure simple qui, si elle est effectuée à intervalles réguliers, prolongera la durée de vie de la cuisinière et permettra de conserver de bonnes caractéristiques de flamme.

1. Le problème le plus courant que l'on rencontre sur les cuisinières à brûleurs ouverts est le déversement. Une fois que les orifices du brûleur sont partiellement bouchés par de la nourriture, le mélange d'air et de gaz a des difficultés à passer et le rendement du brûleur diminue.
2. Essuyer les déversements dès qu'ils se produisent.
3. Les grilles et plateaux doivent être retirés chaque jour, lavés, rincés et séchés soigneusement.

4. Utiliser une brosse métallique pour nettoyer les orifices des brûleurs. Allumer les brûleurs et vérifier si des trous sont bouchés.
5. Si des trous semblent bouchés, soulever le brûleur et brosser l'intérieur et l'extérieur avec une petite brosse spéciale. Chaque orifice du brûleur lui-même doit être nettoyé avec un fil métallique ou un foret de taille appropriée. Laver avec du savon et de l'eau très chaude s'il y a de la graisse sur les brûleurs. Bien sécher.
6. Lors du remontage de la tête de brûleur ouvert, s'assurer que les orifices du brûleur sont correctement alignés par rapport à la veilleuse. Sur la tête de brûleur moulée, il y a un doigt prolongé avec les ouvertures des orifices; quand celui-ci est aligné avec la veilleuse, le brûleur est installé correctement.



7. Si une flamme anormale apparaît autour des bords, c'est habituellement signe de graisse ou de saletés dans le col du brûleur. Retirer la buse du brûleur (corps principal sur lequel est appuyée la tête du brûleur) afin d'accéder à l'ouverture de l'obturateur d'air. Retirer avec précaution la graisse et les saletés de la zone de l'obturateur d'air. Ne pas modifier le réglage de l'obturateur. L'obturateur d'air permet de mélanger la quantité correcte d'air au gaz provenant du robinet ou du thermostat et ne doit pas être réglé sinon par un technicien installateur agréé.

Plaques Et Grilles En Fonte

Les plaques et grilles en fonte peuvent être nettoyées avec du savon doux et de l'eau tiède. Pour nettoyer les aliments cuits, on peut utiliser une brosse métallique. Bien sécher. Appliquer une mince couche d'huile végétale pour éviter la formation de rouille.

ENTRETIEN ET NETTOYAGE (suite)

Plaques De Cuisson

Pendant que la surface est encore tiède, essuyer avec un chiffon en toile de jute propre. Les déversements brûlés doivent être enlevés en grattant. Si nécessaire, retirer la plaque et la laver dans l'évier avec du savon et de l'eau chaude. Bien sécher. Dans les climats humides, appliquer une mince couche d'huile pour éviter la formation de rouille. Éviter d'utiliser trop d'eau car cela pourrait endommager la surface et les commandes en dessous.

NOTA : La chaleur « décolore » (décoloration bleu/brun) la surface des grils et des plaques chauffantes en acier. Cette patine ne diminue pas le fonctionnement ni l'utilisation et ne constitue pas un défaut.

Gril

Afin d'obtenir des aliments uniformément cuits et parfaitement dorés sur le gril, il faut éliminer toute trace de graisse carbonisée sur le gril. La graisse carbonisée sur la surface empêche le transfert de chaleur de la surface du gril aux aliments. Cela cause le brunissement inégal des aliments et une perte d'efficacité de cuisson et, ce qui est pire, la graisse carbonisée a tendance de coller aux aliments posés sur le gril, leur donnant ainsi une apparence très peu appétissante et insatisfaisante. Pour maintenir le gril propre et fonctionnant à sa capacité optimale, suivre les instructions simples ci-après :

- A. APRÈS CHAQUE UTILISATION - nettoyer soigneusement avec un grattoir à gril ou une spatule. Essuyer tous les déchets des opérations de cuisson.
- B. UNE FOIS PAR JOUR - nettoyer la surface du gril avec une brique à gril et un tampon à gril. Retirer le récipient à graisse et bien le nettoyer de la même façon que tous les ustensiles de cuisine ordinaires.
- C. UNE FOIS PAR SEMAINE - nettoyer soigneusement la surface du gril. Si nécessaire, utiliser une pierre à gril ou un tampon à gril sur sa surface. Frotter dans le sens du grain du métal pendant que le gril est encore tiède. Il est possible d'utiliser un détergent sur la surface du gril pour faciliter le nettoyage, mais il faut s'assurer de bien éliminer le détergent de la surface du gril à la fin du nettoyage. Après l'élimination du détergent de la surface, celle-ci doit être couverte d'une mince couche d'huile afin d'empêcher la corrosion. Pour éliminer les décolorations, utiliser un produit de nettoyage non abrasif. Veiller à la propreté du tube de vidange des graisses dans le récipient à graisse, sur les modèles ne comportant pas de récipient à graisse latéral.

AVERTISSEMENT: Cette plaque de gril est en acier, mais sa surface est relativement tendre et elle peut être rayée ou endommagée par une utilisation inadéquate de la spatule.

Faire attention à ne pas rayer ou creuser la surface de la plaque. Noter également que la plaque étant en acier, si sa surface n'est pas recouverte en permanence d'une mince couche d'huile, elle risque de rouiller aux endroits non exposés.



INSTRUCCIONES DE INSTALACIÓN Y OPERACIÓN

ESTUFAS DE GAS PARA RESTAURANTES SUNFIRE SERIE X



TODOS LOS MODELOS DE 24, 36 Y 60 Pulgada

PARA SU SEGURIDAD:
NO ALMACENE O UTILICE GASOLINA U
OTROS VAPORES O LÍQUIDOS INFLAMABLES
EN LAS CERCANÍAS DE ESTE O CUALQUIER
OTRO ARTEFACTO.

ADVERTENCIA:
LA INSTALACIÓN, AJUSTE, MODIFICACIÓN,
SERVICIO O MANTENIMIENTO INCORRECTO
PUEDEN OCASIONAR DAÑOS A
LA PROPIEDAD, LESIONES
O LA MUERTE. LÉASE MINUCIOSAMENTE
LAS INSTRUCCIONES DE INSTALACIÓN,
OPERACIÓN Y MANTENIMIENTO
ANTES DE INSTALAR O DAR
MANTENIMIENTO A ESTE EQUIPO.

LEA TODAS LAS SECCIONES DE ESTE MANUAL Y
GUÁRDELO PARA FUTURAS CONSULTAS.

ESTE PRODUCTO HA SIDO CERTIFICADO COMO
EQUIPO DE COCINA COMERCIAL Y DEBE SER
INSTALADO POR PERSONAL PROFESIONAL
SEGÚN LO ESPECIFICADO.

EN EL COMMONWEALTH DE MASSACHUSETTS
ESTE PRODUCTO DEBE SER INSTALADO POR UN
PLOMERO O INSTALADOR DE SISTEMAS DE GAS
AUTORIZADO.

Para Su Seguridad:
Coloque en una ubicación prominente las
instrucciones a seguirse en caso de que el usu-
ario huelga gas. Esta información se obtendrá
consultando a su proveedor de gas local.

A los usuarios se les advierte que el mantenimiento y las reparaciones deben ser realizados por un agente de servicio autorizado de Garland que utilice repuestos genuinos de Garland. Garland no tendrá ninguna obligación con respecto a cualquier producto que haya sido incorrectamente instalado, ajustado, operado o no mantenido de acuerdo con los códigos nacionales y locales o las instrucciones de instalación provistas con el producto, o cualquier producto al que se le haya desfigurado, borrado o quitado su número de serie, o que ha sido modificado o reparado utilizando repuestos no autorizados o por agentes de servicio no autorizados. Para una lista de agentes de servicio autorizados, por favor consulte el sitio Web de Garland en <http://www.garland-group.com>. La información contenida aquí, (incluso el diseño y las especificaciones de partes), puede ser reemplazada y esta sujeta a cambios sin previo aviso.

General Inquires 1-905-624-0260
USA Sales 1-800-424-2411
Canadian Sales 1-888-442-7526
Canada or USA Parts/Service 1-844-724-2273

GARLAND COMMERCIAL RANGES, LTD.
1177 Kamato Road, Mississauga, Ontario L4W 1X4
CANADÁ
Teléfono: 905-624-0260
Fax: 905-624-5669

INFORMACIÓN IMPORTANTE

ADVERTENCIA:

Este producto contiene sustancias químicas que el Estado de California las conoce como causantes de cáncer y/o defectos de nacimiento u otros daños reproductivos. La instalación y el mantenimiento de este producto podrían exponerle a partículas aerotransportadas de lana de vidrio / fibras de cerámica. Es un hecho conocido por el Estado de California que la inhalación de partículas aerotransportadas de la lana de vidrio / fibras de cerámica causan cáncer. La operación de este producto podría exponerle al monóxido de carbono si no está debidamente ajustado. Es un hecho conocido por el Estado de California que la inhalación de monóxido de carbono causa defectos de nacimiento u otros daños reproductivos.

Mantenga la zona del artefacto libre y alejada de combustibles.

ÍNDICE

INFORMACIÓN IMPORTANTE	30	PRUEBAS Y AJUSTES	37
DIMENSIONES Y ESPECIFICACIONES....	32	Pruebas	37
DIMENSIONES Y ESPECIFICACIONES.....	32	OPERACIÓN	38
Presiones De Gas	32	Hornillas.....	38
Tamaño De La Admisión De Gas	32	Hornos (Convencionales).....	38
Caudal De Entrada A Los Quemadores Individuale	32	Secciones De Planchas De Calor Uniforme ("Hot Tops")	38
Designaciones Base De Los Modelos Y Caudales De Entrada Totales.....	33	Planchas Controladas Mediante Las Válvulas .	39
INTRODUCCIÓN.....	33	Plancha/Parrilla Del Horno	39
Placa De Características	33	Apagado De La Estufa.....	39
INSTALACIÓN.....	34	INFORMACIÓN SOBRE APLICACIONES DEL PRODUCTO.....	40
Emplazamiento	34	General.....	40
Artefactos Equipados Con Ruedas Locas	34	Hornillas.....	40
Artefactos Equipados Con Patas	34	MANTENIMIENTO Y LIMPIEZA	41
Instalación Del Anaquel Al Protector Posterior.. 34		Curado	41
Instrucciones De Montaje De Protectores Posteriores Con Anaquel Alto, Parrilla Salamandra O Derretidor De Queso.....	34	Plancha	41
Ventilación Y Suministro De Aire.....	35	Rejillas De Hierro Colado De Las Hornillas	41
Regulaciones Estatutarias	35	Acero Inoxidable.....	41
Conexión De Gas	35	Interior Del Horno (Esmalte De Porcelana)....	42
Conexiones eléctricas (donde aplique).....	36	Limpieza De Las Superficies Interiores De Acero Aluminizado Estándar	42
Notas De Instalación	36	Hornillas.....	42
Preparación Final	36	Parte Superior Y Rejillas De Hierro Colado	43
		Planchas De Calor Uniforme ("Hot Top").....	43
		Plancha.....	43

DIMENSIONES Y ESPECIFICACIONES

DIMENSIONES Y ESPECIFICACIONES

Las Separaciones Aplican A Todos Los Modelos		
Superficie	Lados	Parte Posterior
Mínimo A Una Pared Combustible	14" (356mm)	6" (152mm)
Mínimo A Una Pared No Combustible	0"	0"

Presiones De Gas

Gas	Presión De Suministro Mínima	Presión De Operación En El Tubo Distribuidor
Natural	7" CDA (17.5 mbar)	4.5" WC (11.25 mbar)
Propano	11" CDA (28 mbar)	10" WC (25 mbar)

Tamaño De La Admisión De Gas

Anchura Del Modelo	Conexión
24" (610mm) & 36" (914mm)	3/4" NPT Conexión De Gas Trasera
60" (1524mm)	1" NPT Conexión De Gas Trasera

Caudal De Entrada A Los Quemadores Individuale

Quemador	Caudal BTU/HORA	
	Gas Natural	Gas Propano
Hornillas	30,000	26,000
Quemador De Plancha De Calor Uniforme ("Hot Top") (En Lugar De 2 Hornillas)	18,000	18,000
Quemador De Plancha De Asar (En Lugar De 2 Hornillas)	18,000	18,000
Parrilla De Plancha Levantada (Consiste En 3 Quemadores)	33,000	33,000
Quemador De Horno Para Horno Convencional	33,000	29,000
Horno Ahorrador De Espacio	25,000	25,000

Los caudales son para instalaciones a alturas de hasta 2000 pies (610 m) por encima del nivel del mar

DIMENSIONES Y ESPECIFICACIONES (continuación)

Designaciones Base De Los Modelos Y Caudales De Entrada Totales

Modelo #	Descripción	Caudal BTU/HORA	
		Gas Natural	Gas Propano
X24-4S	Unidad de tamaño nominal de 24" (610 mm), 4 hornillas, base de almacenaje	120,000	104,000
X24-4L	Unidad de tamaño nominal de 24" (610 mm), 4 hornillas, horno ahorrador de espacio	145,000	129,000
X36-6S	Unidad de tamaño nominal de 36" (914 mm), 6 hornillas, base de almacenaje	180,000	156,000
X36-6R	Unidad de tamaño nominal de 36" (914 mm), 6 hornillas, horno convencional	213,000	185,000
X60-10RS	Unidad de tamaño nominal de 60" (1524 mm), 10 hornillas, horno convencional, base de almacenaje	333,000	289,000
X60-10RR	Unidad de tamaño nominal de 60" (1524 mm), 10 hornillas, 2 hornos convencionales	366,000	318,000
X60-6R24SS	Unidad de tamaño nominal de 60" (1524 mm), 6 hornillas, plancha/parrilla elevada de 24" (61 mm), base de almacenaje	203,000	189,000
X60-6R24RS	Unidad de tamaño nominal de 60" (1524 mm), 6 hornillas, plancha/parrilla elevada de 24" (61 mm), horno convencional, base de almacenaje	246,000	218,000
X60-6R24RR	Unidad de tamaño nominal de 60" (1524 mm), 6 hornillas, plancha/parrilla elevada de 24" (61 mm), 2 hornos convencionales	279,000	247,000

Rates are for installations up to 2000' (610m) above sea level

INTRODUCCIÓN

1. Compruebe que el embalaje no haya sufrido daños durante el tránsito. Con cuidado saque la unidad del embalaje y vuelva a comprobar que no existan daños. Si han ocurrido daños, infórmelo inmediatamente al transportista.
2. Los alambres que retienen el material de empaque deben ser quitados de las unidades. Cualquier material protector que cubra las partes de acero inoxidable también debe ser quitado.
3. Todos los equipos vienen suministrados con patas de 6" (152 mm) a menos que se especifiquen de tarima para instalarse en una base cóncava, con ruedas locas o con pies bridados para instalarse sobre una plataforma. Las unidades de 48" (1219 mm) y 60" (1524 mm) de ancho vienen con patas instaladas de fábrica. Se requiere instalar la estufa sobre una base cuando está se ubique sobre un piso combustible.
4. El tipo de gas y la presión de suministro para las cuales el equipo fue ajustado en la fábrica están indicados en la placa de características y en el embalaje. El tipo y presión del gas suministrado a la unidad deben ser los especificados. Este tipo del suministro de gas debe utilizarse.
5. NO quite ninguna etiqueta de advertencia fijada permanentemente o la placa de características del artefacto, puesto que ello puede invalidar la garantía del fabricante.

Placa De Características

Todos los caudales de entrada a los quemadores están indicados en la placa de características, que está ubicada detrás del panel frontal inferior desplegable debajo de la puerta del horno.

INSTALACIÓN

Este producto ha sido certificado como equipo de cocina comercial y debe ser instalado por personal profesional según lo especificado. ESTE ARTEFACTO NO ES RECOMENDADO PARA INSTALACIONES RESIDENCIALES.

Sugerimos que la instalación, el mantenimiento y las reparaciones sean realizadas por una agencia de servicio local autorizada de Garland/US Range.

Emplazamiento

El piso sobre el cual el artefacto será colocado debe ser capaz de soportar adecuadamente el peso del artefacto y cualquier equipo auxiliar adicional. Las unidades con hornos deben venir provistas con patas si serán instaladas sobre un piso combustible. Debe proveerse una separación adecuada para el mantenimiento y la apropiada operación.

Artefactos Equipados Con Ruedas Locas

1. La instalación será hecha con un conector que cumpla con la norma para "Conectores para artefactos de gas móviles", ANSI Z21.69/CSA 6.16, Apéndices Z21.69B-2006/CSA 6.16B-2006 (o última edición), y un dispositivo de desconexión rápida que cumpla con la norma para "Desconectores rápidos para uso con combustible de gas", ANSI Z21.41/CSA 6.9, Apéndices Z21.41A-2005/CSA 6.16A-2005 (o última edición).
2. Las ruedas locas delanteras del artefacto están equipadas con frenos para limitar el movimiento del artefacto sin colocar ninguna tensión sobre el conector o el dispositivo de desconexión rápida o la tubería asociada a los mismos.
3. Debe estar consciente de que el dispositivo de restricción requerido está fijado a un agujero cortado en el panel lateral, y si fuese necesaria la desconexión de dicha restricción, asegúrese de conectar de nuevo el dispositivo una vez que el artefacto haya sido devuelto a su posición original.

Artefactos Equipados Con Patas

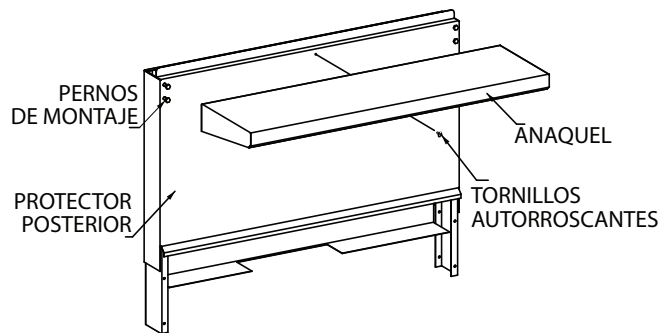
1. Levante el frente del artefacto y coloque bloques debajo del mismo. No coloque el artefacto sobre su espalda.
2. Las patas están roscadas para atornillarse fácilmente dentro de los orificios proporcionados en la parte de abajo de la estufa.

3. Una vez que las patas han sido fijadas y aseguradas, las mismas pueden ser ajustadas para nivelar el artefacto y compensar cualquier desnivel en el piso.

Instalación Del Anaquel Al Protector Posterior

Nota: el anaquel puede ser instalado antes o después de instalar el protector posterior a la estufa.

1. Afloje los 4 pernos en el frente del protector posterior aproximadamente 1/4" (6 mm).
2. Alinee los 4 agujeros ranurados al dorso del anaquel con los 4 pernos en el protector posterior.
3. Deslice el anaquel hacia abajo hasta que los 4 pernos encajen en la parte ranurada del agujero.
4. Apriete los 4 pernos para asegurar el anaquel.
5. Sólo en las unidades de 60", instale un tornillo autorroscante pasándolo a través del agujero en la parte inferior del anaquel y luego a través del protector posterior y apriételo.

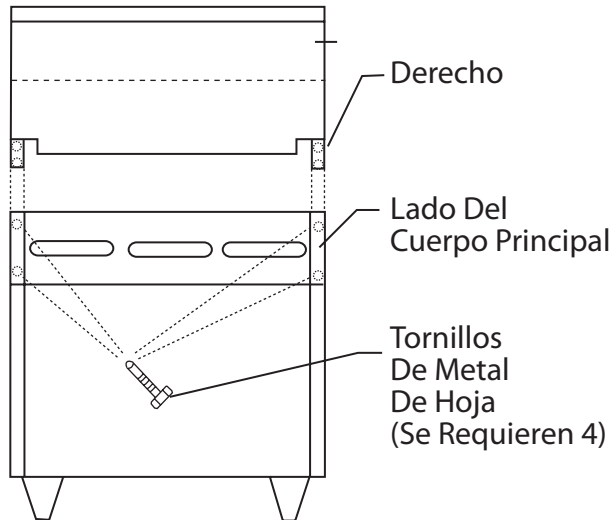


Instrucciones De Montaje De Protectores Posteriores Con Anaquel Alto, Parrilla Salamandra O Derretidor De Queso

1. La parte de atrás de la estufa debe ser fácilmente accesible.
2. Para instalarlos en el protector posterior o el anaquel alto, colóquelo en la parte de atrás de la estufa, deslizando las ménsulas de soporte dentro de las aberturas en los lados del cuerpo principal.

INSTALACIÓN (continuación)

3. Fije bien las ménsulas de soporte a los lados de la caja de los quemadores con (4) tornillos de metal de hoja proveyeron.



Ventilación Y Suministro De Aire

La intención de las notas siguientes es la de dar una orientación general. Para las recomendaciones detalladas, refiérase a los códigos pertinentes del país de destino.

La ventilación apropiada es muy importante para una buena operación. El método ideal de ventilación para una Parrilla Salamandra es el uso de una campana de cocina correctamente diseñada que debería extenderse seis pulgadas (152 mm) más allá de todos los lados del artefacto y seis (6) pies seis (6) pulgadas (1981 mm) del piso.

Un ventilador extractor fuerte creará un vacío en el cuarto. Para que un sistema de escape funcione correctamente, aire de reemplazo debe entrar al cuarto en el cual está ubicado el respiradero. La cantidad de aire extraída debe ser igual a la cantidad que entra, (aire de reposición). Un desequilibrio entre los gases de combustión y el aire de reemplazo puede causar una degradación en el desempeño del artefacto..

Todos los quemadores y pilotos de gas necesitan de suficiente aire para funcionar. No deberán colocarse objetos grandes delante del artefacto que pudieran obstruir el flujo de aire en la parte delantera.

Regulaciones Estatutarias

La instalación de este artefacto debe ser realizada por una persona competente y de acuerdo con las pertinentes regulaciones, códigos de práctica y publicaciones relacionadas del país de destino.

La instalación debe cumplir con el Código de Gas de Combustible Nacional ANSI Z223.1, o última edición, NFPA No 54 - última edición o el código local para asegurar una operación segura y eficiente. En Canadá, la instalación debe cumplir con CSA B149.1 y los códigos locales.

Conexión De Gas

Durante la fase de planificación de la instalación, se deberá consultar a las autoridades de gas locales a fin de establecer la disponibilidad de un suministro adecuado de gas y de asegurar que el medidor es adecuado para el caudal de gas requerido. El sistema de tubería del medidor a los artefactos debe ser del tamaño apropiado.

A todo artefacto fijo (no móvil) DEBE conectarse una válvula manual de corte de gas corriente arriba del artefacto para proporcionar un medio de aislamiento para efectos de mantenimiento o limpieza. Se debe proporcionar una unión o un medio similar de desconexión entre la válvula de gas y el artefacto.

Una válvula manual debe instalarse en el suministro de gas a la cocina para permitir aislar dicho suministro en una emergencia. Siempre que sea práctico, la misma deberá ubicarse o bien fuera de la cocina o cerca de una salida en una posición fácilmente accesible.

Cuando ello no sea práctico, se instalará un sistema automático de válvula de aislamiento que pueda accionarse desde una posición fácilmente accesible o cerca de la salida.

En los sitios donde se instale una válvula de aislamiento manual o donde el sistema automático puede ser reinicializado, un aviso DEBE ser colgado que indique:

“TODO LOS QUEMADORES Y VÁLVULAS PILOTO CORRIENTE ABAJO DEBEN ESTAR APAGADOS ANTES DE INTENTAR RESTABLECER EL SUMINISTRO. DESPUÉS DE HABER ESTADO CERRADO POR UN LARGO PERÍODO, PURGUE ANTES DE RESTABLECER EL SUMINISTRO DE GAS.”

INSTALACIÓN (continuación)

Notas De Instalación

Antes de asamblea y de la conexión, compruebe la fuente de gas.

- A. El tipo de gas para el cual la unidad está equipada está estampado en la placa de características ubicado en el panel delantero inferior; simplemente saque la bandeja de goteo para acceder a ella fácilmente. Conecte una unidad estampada "NAT" únicamente a gas natural; conecte aquellas estampadas "PRO" únicamente a gas propano.
- B. Si esta es una instalación nueva, solicítele a las autoridades de gas que comprueben el tamaño del medidor y de la tubería para asegurarse de que la unidad sea suministrada con la presión de gas requerida para hacer funcionar la unidad.

- C. Si éste es un equipo adicional o un reemplazo, solicítele a un técnico de gas calificado que compruebe la presión de gas para asegurarse de que las instalaciones de gas existentes (tubería del medidor, etc.) suministrarán el gas a la unidad con una caída de presión no mayor de 0.15 Kpa de columna de agua.
- D. Asegúrese de que las tuberías, uniones y conexiones nuevas han sido instaladas de manera limpia y que han sido purgadas, de modo que ningún compuesto de tubería, rebabas, etc., obstruya los pilotos, válvulas y/o controles. Utilice un sellador de uniones de tubos que sea resistente al gas licuado de petróleo.

NOTA: la presión de gas debería ser comprobada cuando la unidad ya esté instalada y todos los demás equipos en la misma línea estén encendidos. La presión de gas de operación debe ser la misma especificada en la placa de características. Si fuese necesario, el ajuste de presión puede ser hecho en el regulador de presión suministrado con el artefacto.

El artefacto y su válvula de cierre individual deben desconectarse del sistema de tubería de suministro de gas durante cualquier prueba de presión de dicho sistema a presiones superiores a 1/2" psi (3.45 kPa).

Preparación Final

NOTA: Su nueva estufa tiene una capa de plástico para ayudar a proteger el acabado contra rayaduras durante el transporte. Esta película plástica protectora deberá ser retirada antes de poner a funcionar la estufa.

PRUEBAS Y AJUSTES

Pruebas

Todas las conexiones de los accesorios y tuberías deberán ser probadas para asegurarse de que no existan fugas. Utilice detectores de fugas de gas aprobados, una solución de jabón o equivalentes para hacer pruebas sobre y alrededor de todas las conexiones de los accesorios y tuberías. ¡NO USE UNA LLAMA! Para tener acceso a todas las líneas de gas y a los accesorios se requiere que el/los panel(es) de válvula, el/los panel(es) delantero(s) inferior(es), y/o la(s) rejilla(s) de los hornos sean retirados. Pudiera ser necesario quitar, o por lo menos levantar y apuntalar bien la(s) plancha(s), las plancha(s) de calor uniforme ("hot tops"), y/o la(s) rejilla(s) superior(es). Todas las partes retiradas, (incluso los sujetadores), deberían ser debidamente resguardadas para poder volver a rearmar las partes.

1. Asegúrese de que todas las válvulas y los termostatos están la posición apagada ("OFF").
2. Encienda la válvula de suministro de gas principal. Encienda todos los pilotos de la sección superior.
3. Haga pruebas de fugas a todas las válvulas y accesorios tal como se describió a principios de esta sección. Corrija cualquier fuga que se detecte y vuelva a realizar las pruebas.
4. Encienda el piloto del horno.
5. Ajuste el termostato del horno al máximo. Haga pruebas de fugas a todas las válvulas y accesorios tal como se describió al inicio de esta sección. Corrija cualquier fuga que se detecte y vuelva a realizar las pruebas.
6. Cierre todas las válvulas y ajuste el dial del termostato a la posición apagada ("OFF") o a la más baja. Todas las unidades son probadas y ajustadas en la fábrica; sin embargo, los quemadores y los pilotos deberán ser comprobados al instalarse y ajustarse de ser necesario.

PRECAUCIÓN: el gas fluirá a los quemadores de la sección superior aun si los pilotos de sección superior no estén encendidos. El gas no será interrumpido. Es responsabilidad del operador de confirmar la ignición apropiada de cada quemador cuando éste sea encendido. Si la ignición no ha ocurrido en un lapso de 4 segundos después de encender un quemador, apague el quemador, espere 5 minutos, e intente otra vez.

OPERACIÓN

Advertencia: en caso de que se detecte una válvula o un control de termostato funcionando mal debido a que está atascado, no encienda los pilotos ni continúe operando el artefacto hasta tanto un técnico de servicio autorizado haya inspeccionado el mismo. El no acatar esta advertencia pudiera ocasionar lesiones..

Hornillas

Encendido

1. Encienda los pilotos adyacentes a cada hornilla.
2. Abra la válvula completamente. La llama de la hornilla debería ser estable y de color azul y tener una altura de 1/2" (13 mm). La misma también deberá chocar contra el fondo de una olla colocada en la rejilla de la hornilla.

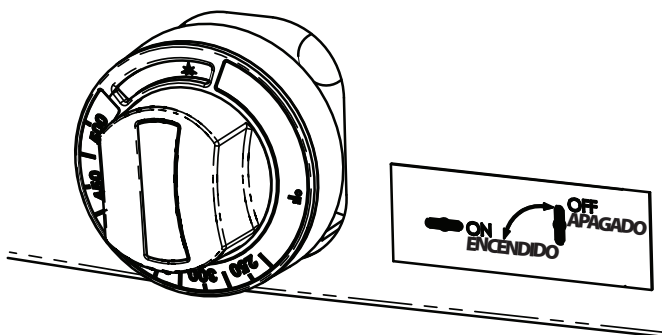
PRECAUCIÓN: si la hornilla no se enciende en un lapso no mayor de 4 segundos, apague la válvula de esta y repita los pasos del 1 al 2. Si el encendido sigue fallando, consulte a una agencia de servicios autorizada por la fábrica.

Hornos (Convencionales)

Encendido

1. Baje el panel de protección delantero debajo de la puerta de horno y levante el fondo del hogar del horno para acceder con facilidad al piloto de horno.
2. Gire la perilla de control de horno (figura 1) a la posición "★" y luego presiónela para abrir el flujo de gas a través del dispositivo de seguridad al piloto.

Figura 1



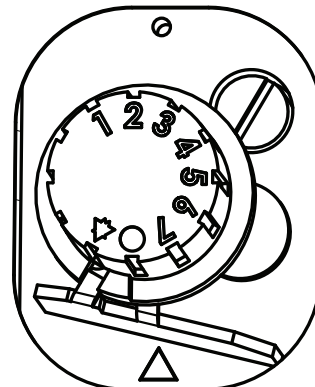
3. Mientras mantiene presionada la perilla, encienda al piloto con un cerillo o un encendedor de barbacoas o use el encendido con chispa (de ser proporcionado) para encender el piloto.

4. Siga aguantando la perilla durante 15 segundos después de haberse encendido, y luego libérela. El piloto debería permanecer encendido.
5. Si el quemador piloto no se encendiese o no se queda encendido, espere 5 minutos y repita los pasos 2 al 4.
6. Vuelva a colocar el hogar en su lugar y cierre el panel de protección; luego gire el termostato del horno a la temperatura de cocción deseada.
7. Para apagar el quemador principal, gire la perilla de control (figura 1) a la posición "★".

Apagado

Si se requiere apagar el piloto, afloje el tornillo prisionero en la perilla y saque la perilla externa del termostato de temperatura halándola con cuidado. Luego presione el botón de control interior (figura 2) y déle vuelta a la posición ●. El sistema se desacoplará en 60 segundos.

Figura 2



Secciones De Planchas De Calor Uniforme ("Hot Tops")

1. Levante o quite la(s) sección(es) de platos de plancha de calor uniforme ("hot tops"). Cada quemador tiene a un piloto ubicado a la izquierda delantera del quemador.
2. Encienda los pilotos. El quemador piloto deberá ser ajustado para asegurar un encendido rápido del quemador.
3. Abra la válvula del quemador. Una llama azul aguda deberá tener una altura de aproximadamente 1/4 de pulgada (6 mm).

OPERACIÓN (continuación)

4. Vuelva a colocar las secciones de plancha de calor uniforme ("hot tops").

Planchas Controladas Mediante Las Válvulas

Consulte el curado de la plancha antes de usarla.

1. Si la plancha ha sido levantada para encender los pilotos, bájela con cuidado a su posición, teniendo cuidado de no dejar parte alguna del tubo capilar en el compartimiento del quemador. Vuelva a colocar el panel delantero de la estufa.
2. Encienda los pilotos ubicados a la izquierda delantera de cada quemador.
3. Gire las válvulas del quemador completamente a la posición encendida ("ON"). Los quemadores deberán tener una llama azul estable 1/2 a 5/8 de pulgada (13 mm a 16 mm).
4. Si la plancha ha sido levantada, bájela con cuidado a su posición y vuelva a colocar el panel delantero de la estufa.

Plancha/Parrilla Del Horno

(Modelos X60-6R24RR, X60-6R24SS, X60-6R24RS,

Consulte el curado de la plancha antes de usarla.

Antes de abrir el suministro de gas principal, asegúrese de que todas las válvulas del quemador estén la posición "OFF" (apagadas).

1. Ocho (8) ladrillos de cerámica son suministrados con cada estufa. Éstos ladrillos de cerámica deberán ser colocados en la sección del quemador de la plancha / parrilla antes de ponerse a funcionar.
2. Cada quemador tiene un reborde en cada lado que servirá como apoyo para un par de ladrillos de cerámica. Coloque dos ladrillos entre cada par de quemadores con los resaltes viendo hacia abajo. Coloque dos ladrillos entre el quemador exterior en cada lado, usando el resalto del revestimiento lateral como apoyo externo.
3. Encienda los pilotos ubicados en la sección de la parrilla del horno.
4. Gire las válvulas del quemador completamente a la posición de encendido ("ON"). Los quemadores deberían mostrar una llama azul estable de 5/16 de pulgada.

NOTE: si los quemadores necesitan ajustarse, póngase en contacto con un técnico de gas autorizado.

Apagado De La Estufa

1. Gire todas las válvulas a la posición "OFF" (apagadas).
2. Si la unidad se va a mantener apagada durante un largo período de tiempo, cierre la válvula de gas en la línea de suministro.

INFORMACIÓN SOBRE APLICACIONES DEL PRODUCTO

General

La estufa es la bestia de carga de la cocina debido a su versatilidad. Es usada con más frecuencia en pequeñas aplicaciones, como cafeterías, escuelas, cocinas de iglesias, estaciones de bomberos, y pequeños asilos de ancianos donde las demandas son menos exigentes. Como regla general, una estufa de cuatro a seis hornillas con una plancha de calor uniforme ("hot top") será adecuada para un restaurante que sienta 30 a 35 comensales.

La parte superior de la estufa está diseñada para tener flexibilidad y la preparación de numerosos tipos diferentes de productos. Puede estar equipada con dos, o hasta tres tipos diferentes de planchas y quemadores, según las necesidades del menú. Una operación que cocina contra pedidos, o que usa la estufa principalmente como reserva, encontrará que las hornillas satisfacen la mayor parte de sus necesidades.

La preparación de sopas, caldos o salsas se lleva a cabo en una plancha de calor uniforme ("hot top") donde una cocción lenta y uniforme es deseable.

El calentamiento de cantidades más grandes de alimentos puede llevarse a cabo más eficazmente que el calentamiento de pequeñas cantidades. Las ollas y cazuelas deberían mantenerse cubiertas siempre que sea posible para reducir el consumo de energía.

Las salsas muy ácidas, como las de tomate deberán ser cocinadas en acero inoxidable en vez de aluminio para evitar reacciones químicas. Las salsas ligeramente coloreadas como la Alfredo pueden descolorarse si se usa aluminio, sobre todo si se remueve con una cuchara o batidor metálico. Los mariscos de mar pueden picar las ollas de aluminio si éstas son utilizadas con frecuencia para este fin.

NOTA: Muchas partes de las estufas comerciales son hechas de acero crudo. Las planchas de calor uniforme ("hot top"), planchas, muelles, ganchos de puerta etc., pueden reaccionar con la humedad para formar herrumbre. Esto es normal y no se considera un defecto. Limpie con un estropajo de acero inoxidable o de fibra. Puede aplicarse una capa ligera de aceite de cocina.

Hornillas

Los usos más tradicionales de las hornillas son para sofreír, freír con sartén, y pequeños trabajos en ollas hondas. La cocción de poca duración es el uso más eficiente para la hornilla. Las ollas deberían cubrir lo más posible de la rejilla para minimizar la pérdida de calor. El máximo tamaño de olla honda a ser usado en una hornilla es de 12 pulgadas, (305 mm), de diámetro. Las hornillas deberán estar apagadas cuando no estén en uso para conservar energía. Dejar una llama encendida no tiene ninguna ventaja ya que el calor es instantáneo.

Curado

Plancha

- A. Quite todo material protector aplicado en la fábrica lavando con agua caliente y detergente suave o una solución de jabón.
- B. Aplique una capa fina de aceite de cocina a la superficie de la plancha, aproximadamente una onza por pie cuadrado de superficie de la plancha. Extiéndala sobre la superficie de la plancha entera con un paño para crear una película delgada. Limpie cualquier exceso de aceite con un paño.
- C. Encienda todos los quemadores, y ajústelos al ajuste más bajo posible. Alguna decoloración ocurrirá cuando se aplica calor al acero.
- D. Caliente la plancha despacio durante 15 a 20 minutos. Luego limpie el aceite con un paño. Repita el procedimiento 2 a 3 veces hasta que la plancha quede con un acabado de película oleosa brillante. Repita hasta alcanzar la temperatura de cocción deseada.

IMPORTANTE: no ajuste a una posición alta (en el control de válvula) o a 450 ° (en el control de termostato) durante el período de “rodaje”

NOTA: la superficie de la plancha de acero tomará una decoloración azul del calor. Esta decoloración no disminuirá la función o la operación y esto no es un defecto.

TLa plancha no requerirá curarse de nuevo si es usada correctamente. Si la plancha llegase a sobrecalentarse y el producto comienza a pegarse a la superficie pudiera ser necesario repetir el proceso de curado otra vez. Si la plancha es limpiada con jabón y agua será necesario curar de nuevo la superficie de la plancha.

Rejillas De Hierro Colado De Las Hornillas

Primero, quite las rejillas de hierro colado de las hornillas de la estufa. Lave las rejillas con un jabón suave y agua caliente. Seque a fondo las rejillas de hierro colado de las hornillas con un paño limpio. Inmediatamente después de secarlas, cúrelas ligeramente con un aceite no tóxico, (aceite vegetal líquido o aceite Pam rociado). **ADVERTENCIA; ¡NO CURE LAS REJILLAS DE LAS HORNILLAS MIENTRAS ESTÉN EN LAS**

HORNILLAS DE LA ESTUFA! El curado de las rejillas en las hornillas de la estufa sobre una llama abierta podría causar un fogonazo. Después de curarlas, vuelva a colocar las rejillas de las hornillas en la estufa. Encienda todas las secciones de hornillas de la estufa a fuego bajo (“ON LOW”). Deje las hornillas encendidas así durante al menos 20 minutos antes de usar ollas o cazuelas sobre las rejillas de las hornillas. **CADA VEZ QUE SE LIMPIEN LAS HORNILLAS, SE REQUERIRÁ EL CURADO DE LAS MISMAS. EL NO HACERLO CAUSARÁ OXIDACIÓN.**

Acero Inoxidable

Para la limpieza rutinaria sólo se lávelo con una solución de agua caliente y detergente. Lave apenas una pequeña área a la vez o el agua se evaporará y dejará atrás productos químicos que causarán rayaduras.

Enjuague el área lavada con una esponja limpia bañada en una solución esterilizante y séquela con un paño suave limpio antes de que se seque por sí misma.

Si tiene que hacerlo, use una pasta (de agua y un polvo de fregado suave), pero nunca restriegue contra el grano. Todo el acero inoxidable ha sido pulido en una dirección. Restriegue en dirección de las líneas de pulido para preservar el acabado original. Entonces enjuague a fondo como antes.

Para prevenir las huellas digitales, en el mercado existen varios pulimentos para acero inoxidable que dejan una película aceitosa o cerosa. No las use en superficies que estarán en contacto con alimentos.

El acero inoxidable puede descolorarse de llegarse a recalentar. Estas manchas pueden ser por lo general quitadas frotándolas vigorosamente con una pasta de polvo abrasivo.

Si fuese necesario raspar para quitar depósitos pesados de grasa y aceite, use sólo implementos de acero inoxidable, madera o plástico. No use rasquetas o cuchillos de acero ordinario, ya que partículas de hierro pueden quedar incrustadas y oxidarse. **NUNCA DEBERÁ UTILIZARSE LANA DE ACERO.**

Para esterilizar el acero inoxidable pueden utilizarse o bien una solución de lejía típica o agua caliente.

MANTENIMIENTO Y LIMPIEZA (continuación)

Interior Del Horno (Esmalte De Porcelana)

NOTA: antes de limpiar o darle mantenimiento, desconecte el cordón eléctrico (si aplicase) del suministro de energía.

1. Antes de limpiar el interior de horno, saque todas las rejillas y guías (si tiene una base "RC") del horno. Las rejillas y las guías del horno pueden limpiarse con un jabón suave y agua caliente o en un lavavajillas.
2. El interior de porcelana puede ser limpiado con limpiadores de horno como "Easy Off" o "Dow Oven Cleaner".

Siga las instrucciones de uso correcto del fabricante del producto.

Limpieza De Las Superficies Interiores De Acero Aluminizado Estándar

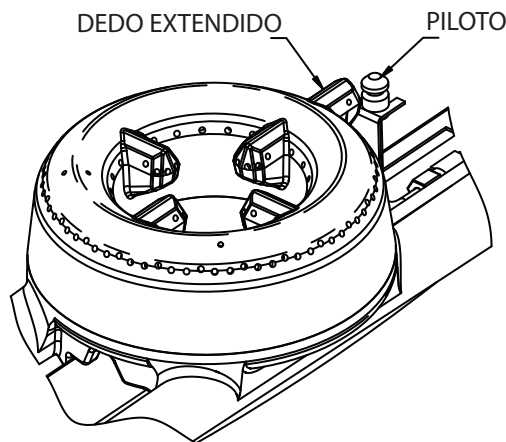
Los lados del horno y los revestimientos superiores están hechos de laminas de acero pesadas con un aluminio fundido en su superficie para reflejar el calor de vuelta a los alimentos que se están preparando y prácticamente eliminar cualquier posibilidad de formación de herrumbre. Establezca un programa de limpieza regular o limpie el mismo día que ocurra cualquier derrame.

1. Deje enfriar el horno.
2. Quite las rejillas de horno.
3. Levante la guías de las rejillas a ambos lados del horno de sus respectivos sujetadores, hale la parte superior de estos para retirarlos de la pared hueca, y cuando haya pasado las grapas, presiónelas y sáquelas. Las rejillas y las guías pueden lavarse en un lavavajillas mientras se limpia la cavidad de horno.
4. Para quitar cualquier suciedad quemada, utilice un detergente concentrado en una almohadilla plástica. No use lana de acero, limpiadores de hornos o polvos abrasivos. Éstos quitarán el aluminio. Enjuague con agua caliente en un paño suave. Asegúrese de no dejar rastro alguno de detergente. Cualquier decoloración que puede permanecer después de eliminar la acumulación de suciedad, no afectará el desempeño del horno.
5. Para volver a instalar, reverse el procedimiento. Coloque el fondo de la guía de rejilla contra la pared hueca. Manteniendo la parte superior alejada de la pared, levántela. Empuje la parte superior de la guía de rejilla contra la pared y apriétela para que encaje en su lugar.

Hornillas

La limpieza de las hornillas de la estufa es un procedimiento simple, y, de ser realizada con regularidad, prolongará la vida de la estufa y asegurará la generación de llamas con buenas características.

1. El problema más común con las estufas de hornilla es el derramamiento. Una vez que los orificios de los quemadores son parcialmente tapados con alimentos, la mezcla de aire a gas es alterada y resulta en quemadores ineficaces.
2. Limpie cualquier derrame tan pronto ocurra.
3. Las rejillas y las bandejas deberán ser sacadas diariamente para lavarlas, enjuagarlas y secarlas a fondo.
4. Use un cepillo de alambre para limpiar los orificios de los quemadores. Enciéndalos y compruebe que no haya agujeros obstruidos.
5. Si se notase que algún agujero está obstruido, el quemador deberá sacarse y cepillarse por dentro y fuera con un pequeño cepillo de Venturi. Cada orificio en el quemador mismo debería ser limpiado con un alambre del tamaño correcto o un taladro de pulgar. Si se observa grasa en los quemadores, lávese con jabón y agua caliente. Seque a fondo.
6. Al reinstalar el cabezal del quemador de la estufa abierta asegúrese de que los orificios del quemador estén correctamente alineados con el piloto. En el cabezal del quemador colado hay un dedo extendido con orificios; cuando éste esté alineado con el piloto, el quemador está instalado correctamente.



MANTENIMIENTO Y LIMPIEZA (continuación)

7. Si una llama anormal aparece alrededor de los bordes, esto es por lo general un signo de suciedad de grasa en la garganta del quemador. Saque el venturi del quemador (el cuerpo principal sobre el cual se asientan las cabezas de los quemadores) para tener acceso a la abertura de la compuerta de cierre del aire. Quite con cuidado la grasa y suciedad de la zona de la compuerta de cierre del aire. No ajuste la posición de la compuerta de cierre. La compuerta de cierre del aire permite que la cantidad apropiada de aire se mezcle con el flujo de gas que proviene del orificio de la válvula o termostato y no deberá ser ajustado a menos que lo realice un técnico autorizado especialista en gas.

Parte Superior Y Rejillas De Hierro Colado

La parte superior y la(s) rejilla(s) de hierro colado pueden ser limpiadas con jabón suave y agua caliente. Para eliminar el material que se ha cocido sobre el hierro, puede utilizarse un cepillo de alambre. Seque a fondo. Recubra ligeramente con aceite vegetal para ayudar a evitar que se forme herrumbre.

Planchas De Calor Uniforme (“Hot Top”)

Mientras la superficie esté todavía ligeramente caliente, límpiela con un paño de arpillera limpio. Los derrames quemados deberán quitarse raspándolos. Si fuese necesario, saque la placa y lávela en un fregadero con jabón y agua caliente. Séquela a fondo. En climas húmedos, límpiela con una capa ligera de aceite para prevenir la oxidación. Evite el uso excesivo de agua ya que esta podría dañar la superficie y los controles más abajo.

NOTA: la plancha de acero y la superficie de plancha de calor uniforme (“hot top”) tomarán una decoloración azul/marrón con el calor. Esta atenuación no disminuirá la función o la operación y no es un defecto.

Plancha

Para producir productos a la plancha parejamente cocidos y dorados, mantenga la plancha libre de grasa carbonizada. La grasa carbonizada sobre la superficie dificulta la transferencia de calor de la superficie de la plancha a los alimentos. Esto resulta en un dorado desigual y pérdida de eficiencia al cocinar, y lo peor de todo, la grasa carbonizada tiende a adherirse a la comida asada a la parrilla, dándole un aspecto muy insatisfactorio y poco apetitoso. Para mantener la plancha limpia y funcionando a máximo desempeño, siga éstas sencillas instrucciones:

- A. DESPUÉS DE CADA USO limpie la plancha a fondo con una rasqueta o espátula para parrillas. Limpie con un paño cualquier suciedad dejada por el proceso de cocción.
- B. UNA VEZ AL DÍA limpie la superficie de la plancha con un ladrillo para parrillas y un estropajo para parrillas. Retire el recipiente de grasa y límpielo a fondo, de la misma manera que cualquier utensilio de cocina ordinario.
- C. UNA VEZ POR SEMANA limpie la superficie de la plancha a fondo. Si fuese necesario, use una piedra de parrilla o un estropajo para parrillas sobre la superficie de la plancha. Restriegue en dirección del grano del metal mientras todavía esté caliente. Se puede utilizar un detergente sobre la superficie de la placa para ayudar a limpiarla, pero debe tenerse cuidado de que después se elimine a fondo. Después de eliminar el detergente, la superficie del plato deberá recubrirse con una fina película de aceite para prevenir la oxidación. Para quitar decoloraciones, use un limpiador no abrasivo. Antes de volverla a usar, la plancha deberá curarse de nuevo. Mantenga siempre destapado el tubo de desagüe de la plancha al recipiente de grasa.

ADVERTENCIA: la placa de la plancha es de acero, pero la superficie es relativamente blanda y puede ser rayada o abollada por el uso descuidado de la espátula.

Procure no abollar, rasguñar, o acanalar la superficie de la placa. De lo contrario, los alimentos se pegarán a dichas zonas. También, tome nota que, ya que ésta es una plancha de acero, si no hay una ligera capa de aceite siempre presente se desarrollará herrumbre en áreas expuestas y no cubiertas.

SunFire[®]