



# WAFFLE BAKER

## CONCEPT

### ELECTRIC WAFFLE BAKER

*Heavy duty waffle bakers create evenly baked, great tasting, crispy golden-brown waffle  
Watch your waffles raise your profits all day long*

- Fine grain cast iron plates for baking to perfection
- Heavy duty top plate assures even rising without clips, floating hinges or turning
- Special design of top and bottom plate outer rims minimizes batter overflow
- Waffle patterns: Brussels, Liege, Round, Cone
- Waffle-on-a-stick patterns: Silo, Cypress
- Powerful heating elements for fast preheat and recovery are thermostatically controlled up to 570°F
- Each heating zone is independently controlled with lighted on/off switch, pilot and temperature indicator lights
- Stainless steel base for lasting service
- Wraparound removable stainless steel drip tray for easy cleaning
- Ideal for breakfast, snacks and dessert or walk around foods



Brussels (shown)

## WAFFLES-ON-A-STICK

### CYPRESS



### SILo



## TWIN PEAKS

### GED



208/240 V

Options:  
two (2) 5-min  
timers with bell signal

Round Belgian  
(shown)

## SIERRA

GES/1 - 120 V

GES - 208/240 V



Cone  
(shown)

Options: 5-min timer with bell signal



Liege  
(shown)

## TOPPING WARMERS



WI-1



WI-2



WI-1DI

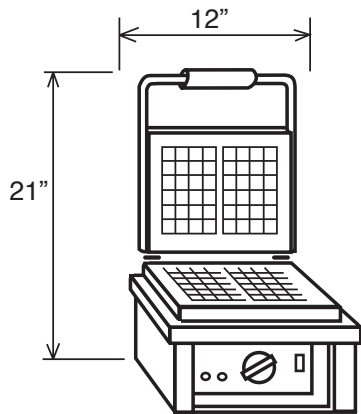


100 NIANTIC AVENUE; SUITE 104 PROVIDENCE, RI 02907  
TEL: (401)273-3300 FAX: (401)273-3328 E-mail: sales@equipex.com  
www.equipex.com

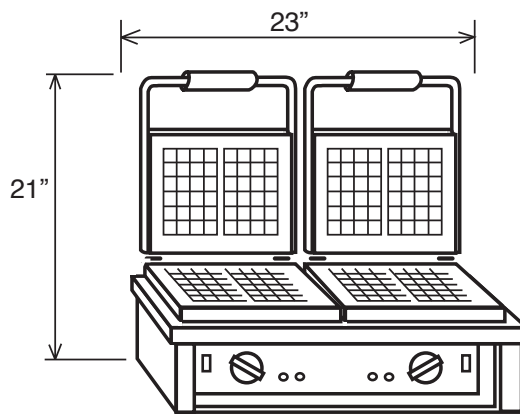




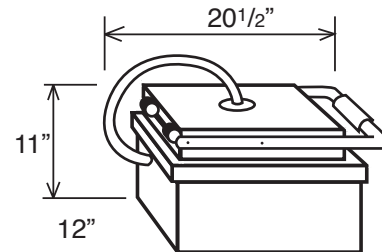
# ELECTRIC WAFFLE BAKERS



**GES (single)**



**GED (double)**



INSTALLATION CLEARANCE: 2" EACH SIDE

PLATE PATTERNS AVAILABLE (please, specify when ordering)					
<b>GES (Brussels)</b>	<b>GES (Liege)</b>	<b>GES (Round)</b>	<b>GES (Cone)</b>	<b>GES (Silo)</b>	<b>GES (Cypress)</b>

## BAKING CAPACITY (approximately 2-3 minute cycle)

model \ type	Brussels	Liege	Round	Cone	Silo	Cypress
Waffle size	7 <sup>1</sup> / <sub>2</sub> "x4 <sup>1</sup> / <sub>4</sub> "x1 <sup>1</sup> / <sub>4</sub> "	6 <sup>1</sup> / <sub>4</sub> "x4"x1 <sup>1</sup> / <sub>4</sub> "	7" diameter x 1 <sup>1</sup> / <sub>4</sub> "	9 <sup>3</sup> / <sub>4</sub> "x9 <sup>3</sup> / <sub>4</sub> "	1 <sup>1</sup> / <sub>2</sub> "x6"	8 <sup>3</sup> / <sub>4</sub> "x2 <sup>1</sup> / <sub>4</sub> "x1"
<b>SINGLE</b>	2	2	1	1	4	4
<b>DOUBLE</b>	4	4	2	2	8	8

## SPECIFICATIONS

MODEL	DESCRIPTION	ELECTRICAL	DIMENSIONS	SHIPPING WEIGHT	NEMA PLUG
GES	Single	120V, 1.75KW, 14 Amps 208/240V, 1PH, 1.6KW, 7/8Amps	12"Wx20 <sup>1</sup> / <sub>2</sub> "Dx21"H	50 lbs	5-15 P 6-15 P
GED	Double	208/240V, 1PH, 3.3KW 12/16Amps	23"Wx20 <sup>1</sup> / <sub>2</sub> "Dx21"H	145 lbs	6-20 P
WI-1 WI-2	with (1) or (2) containers	120V, 1PH, 170-340W, 1.5 Amps	8 <sup>1</sup> / <sub>2</sub> "W x 17"D x 10"H	12 lbs	5-15 P
WI-1DI	with (1) container	120V, 1PH, 170W, 1.5 Amps	8 <sup>3</sup> / <sub>4</sub> "W x 6 <sup>1</sup> / <sub>16</sub> "D x 8 <sup>5</sup> / <sub>8</sub> "H Cut out: 8 <sup>1</sup> / <sub>2</sub> "W x 5 <sup>5</sup> / <sub>8</sub> "D	10 lbs	5-15 P

\*All equipment must be plugged into a dedicated circuit of the proper ratings.

**WARRANTY: Limited one-year parts and labor**



100 NIANTIC AVENUE; SUITE 104 PROVIDENCE, RI 02907  
 TEL: (401)273-3300 FAX: (401)273-3328 E-mail: sales@equipex.com  
 www.equipex.com