

# MAXIMIZER

## Electric Bake Ovens

### General Features:

- **Quality Construction**  
for long life
- **Stainless Steel Front**  
Standard
- **Large Capacity**  
1,368 sq. inches of available  
cooking space on three (3),  
steel decks
- **Heavy Duty Steel**  
**Air-filled Deck (16AL)**
- **Unique Interior Design**  
Better distribution of heat
- **Energy Efficient**  
Energy-saving tubular  
elements coupled with  
our unique baffle system for  
even heat and better baking
- **Full Range Digital Thermostat**  
200°F - 650°F (93°C - 343°C)  
Precise temperature control
- **Solid State Relay**  
Silent operation
- **Easily Serviceable**  
All controls can be replaced  
from the front of the unit
- **Power**  
Electric  
Single phase standard  
Three phase optional
- **Specific Features**  
of the CE131BE listed on the back

### Warranty:

- One year parts and labor



COUNTER MODEL  
CE131BE

**AVAILABLE  
VENTLESS!**

WITH ADDITION OF VENTLESS HOOD (VL30)  
SEE PAGE 39 FOR DETAILS



ELECTRIC

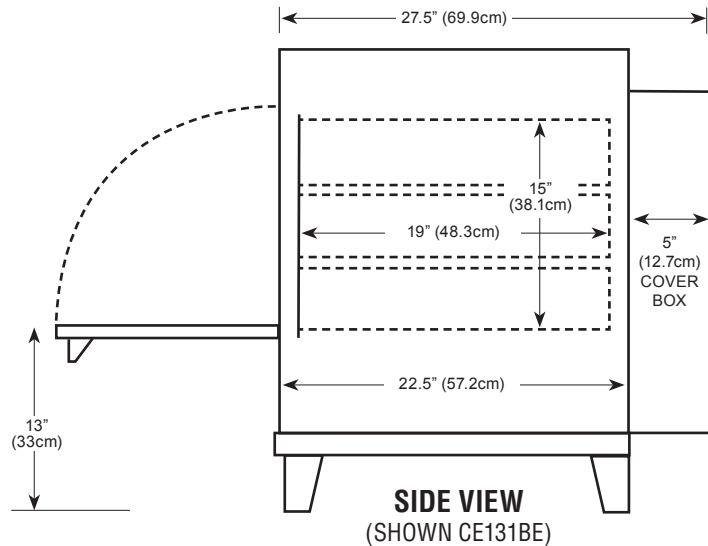
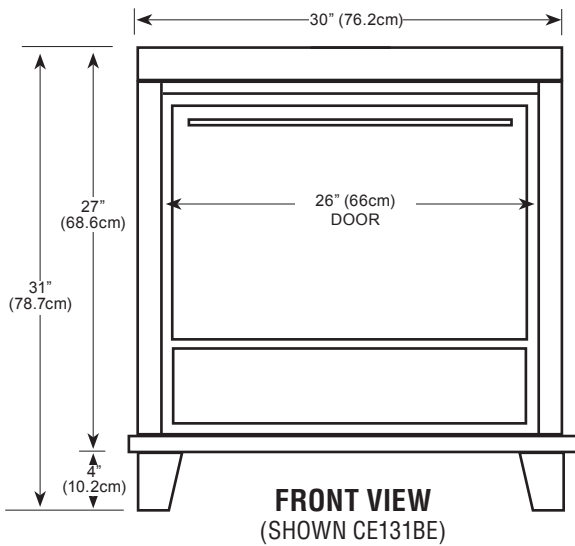


Air-filled Steel Decks

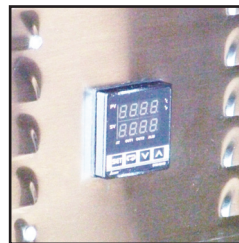
### MORE FOR LESS

More Cooking Space per Floor Space  
More Cooking Capacity per Sales Dollar  
More Performance per Dollar

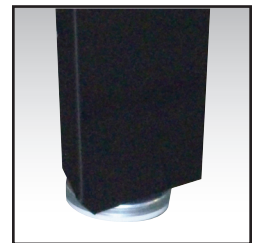




Counter space . . . . .	30" (76.2cm) wide x 27.5" (69.9cm) deep* x 31" (78.7cm) high
Shelf size . . . . .	24" (61cm) wide x 19" (48.3cm) deep
Shipping weight . . . . .	350 lbs (158.8kg)
Shelves . . . . .	Three (3)
Electric . . . . .	7KW - 220V single phase, 40 AMPS Optional three phase, 30 AMPS
Opening required for installation: 30"	
	* Handle adds 2.5"(6.4cm) to depth



Digital Electronic Controller



Adjustable Legs

### Durable Construction

The CE131BE is built with *prime 20-gauge cold-rolled sides* and topped with a 16-gauge base. The *interior is made of Armco Type 1, 20-gauge aluminized steel*. Also, the CE131BE comes standard with a stainless steel front using high quality 18-gauge stainless steel.

### Energy Efficiency

The CE131BE is equipped with four (4) *energy saving tubular elements* and with our unique baffle system, makes the oven highly efficient and eliminates hot spots. The *heavily insulated walls* coupled with a no vent system, reduces heat loss and keeps the area safe for workers. The CE131BE is well powered by 7000 watts, which enables it to have an extremely fast recovery rate.

### Versatility

The CE131BE comes with three (3) shelves and adequate spacing, which increases the oven's capabilities for baking or pretzels. This counter top unit is also *double stackable* for double the capacity, double the efficiency and double the profits. The CE131BE comes with an *optional floor base* (SPK31) for extra storage.

### Capacity CE131BE

The CE131BE is the only *single-door, three shelf* electric oven available. It houses *three (3) air-filled steel decks* which offers 456 square inches (2941.9 sq cm) of baking area per shelf. That equals *1368 total square inches (8825.9 sq cm) per oven*. When double stacked, the CE231BE offers six shelves, which



### SPK31 STAND

- Sideliners hold racks or stones
- Optional casters (shown)
- Optional racks (3) (shown)
- 30" (76.2cm) x 22.625" (57.5cm) x 26.25" (66.5cm)

brings you total baking area to 2736 square inches (17,651.4 sq cm). When you compare the cost per shelf or per square inch to other ovens, Peerless is by far the greatest value.

### Design Plus CE131BE

The CE131BE has a digital controller in the lower front for ease of operation, to save space and in their very own air conditioned area so they are not affected by outside influences. The CE131BE is totally thermocoupled and allows you to replace individual parts without replacing the entire system. The CE131BE is also available in a two shelf version if interior space is an issue. Call for details.



P.O. Box 859 • Sandusky, Ohio 44870 • (419) 625-4514 • FAX 625-4597