



Profit from the Eagle Advantage®

# Specification Sheet

## Short Form Specifications

Eagle Table Mounted Rack, model \_\_\_\_\_.  
Constructed of 3/16" x 2" (aluminum or stainless steel) flat bar, bolted together. Triple bar construction, furnished with one stainless steel double prong sliding pot hook every 12". 1 5/8" O.D. stainless steel tubular supports extend through table and are secured to adjustable undershelf. Available with optional 12"-wide 16/304 stainless steel shelf.



worktable shown with table mounted rack

Item No.:	_____
Project No.:	_____
S.I.S. No.:	_____

## Racks—Table Mounted

### MODELS:

- |  |   |  |
|--|---|--|
| <input type="checkbox"/> <b>TM36APR</b>  | <input type="checkbox"/> <b>TM36PR</b>  | <input type="checkbox"/> <b>TM36PRS</b>  |
| <input type="checkbox"/> <b>TM48APR</b>  | <input type="checkbox"/> <b>TM48PR</b>  | <input type="checkbox"/> <b>TM48PRS</b>  |
| <input type="checkbox"/> <b>TM60APR</b>  | <input type="checkbox"/> <b>TM60PR</b>  | <input type="checkbox"/> <b>TM60PRS</b>  |
| <input type="checkbox"/> <b>TM72APR</b>  | <input type="checkbox"/> <b>TM72PR</b>  | <input type="checkbox"/> <b>TM72PRS</b>  |
| <input type="checkbox"/> <b>TM84APR</b>  | <input type="checkbox"/> <b>TM84PR</b>  | <input type="checkbox"/> <b>TM84PRS</b>  |
| <input type="checkbox"/> <b>TM96APR</b>  | <input type="checkbox"/> <b>TM96PR</b>  | <input type="checkbox"/> <b>TM96PRS</b>  |
| <input type="checkbox"/> <b>TM108APR</b> | <input type="checkbox"/> <b>TM108PR</b> | <input type="checkbox"/> <b>TM108PRS</b> |
| <input type="checkbox"/> <b>TM120APR</b> | <input type="checkbox"/> <b>TM120PR</b> | <input type="checkbox"/> <b>TM120PRS</b> |
| <input type="checkbox"/> <b>TM132APR</b> | <input type="checkbox"/> <b>TM132PR</b> | <input type="checkbox"/> <b>TM132PRS</b> |
| <input type="checkbox"/> <b>TM144APR</b> | <input type="checkbox"/> <b>TM144PR</b> | <input type="checkbox"/> <b>TM144PRS</b> |

### Design & Construction Features

- Racks are triple-bar construction.
- Front-to-back adjustable crossbracing, plus adjustable undershelf.
- 1 5/8" (41mm) tubular stainless steel supports extend through tabletop and are secured to adjustable undershelf. Units 108" (2743mm) and longer have three supports.
- Provided with double-pronged pot hooks.
- Available in stainless steel or aluminum.

### Options / Accessories

- Additional sliding hooks
- All-welded construction
- 12"-wide adjustable shelves (see back page)

Note: Worktables with Table Mounted Rack not recommended for use with casters.

**EAGLE GROUP**  
**100 Industrial Boulevard**  
**Clayton, DE 19938-8903 USA**  
**Phone: 302-653-3000 • 800-441-8440**  
**Fax: 302-653-2065**  
**www.eaglegrp.com • www.eaglemhc.com**



For custom configuration or fabrication needs, contact our **SpecFAB® Division**.  
Phone: 302-653-3000 • Fax: 302-653-2065 • e-mail: quotes@eaglegrp.com

EG10.12A Rev. 04/22

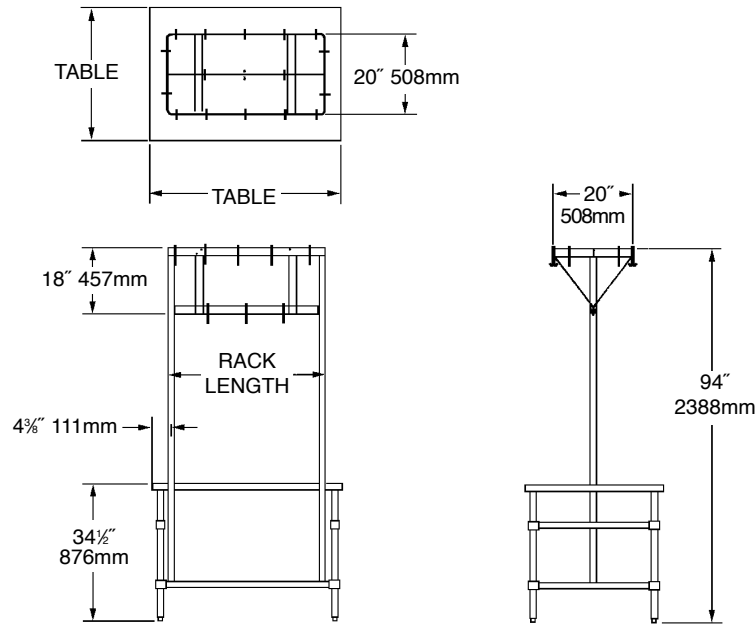
**Spec sheets available for viewing, printing or downloading from our online literature library at [www.eaglegrp.com](http://www.eaglegrp.com)**

*Eagle Foodservice Equipment, Eagle MHC, and SpecFAB® are divisions of Eagle Group. ©2022 by the Eagle Group*



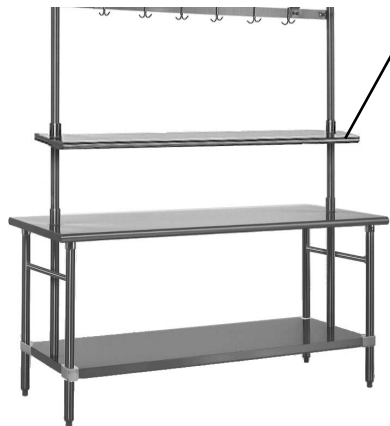
Item No.: \_\_\_\_\_  
 Project No.: \_\_\_\_\_  
 S.I.S. No.: \_\_\_\_\_

## Racks—Table Mounted



ALUMINUM			STAINLESS STEEL			rack length		fits table length	
model #	weight lbs.	weight kg	model #	weight lbs.	weight kg	in.	mm	in.	mm
TM36APR	38	17.2	TM36PR	50	22.7	28"	711	36"	914
TM48APR	42	19.1	TM48PR	57	25.9	40"	1016	48"	1219
TM60APR	46	20.9	TM60PR	64	29.0	52"	1321	60"	1524
TM72APR	50	22.7	TM72PR	70	31.8	64"	1626	72"	1829
TM84APR	54	24.5	TM84PR	77	34.9	76"	1930	84"	2134
TM96APR	58	26.3	TM96PR	83	37.6	88"	2235	96"	2438
TM108APR*	62	28.1	TM108PR*	89	40.4	100"	2540	108"	2743
TM120APR*	66	29.9	TM120PR*	95	43.1	112"	2845	120"	3048
TM132APR*	71	32.2	TM132PR*	102	46.3	124"	3150	132"	3353
TM144APR*	76	34.5	TM144PR*	109	49.4	136"	3454	144"	3658

\* These racks include center tubular support.



### OPTIONAL ADJUSTABLE SHELVES

12" (305mm)-wide. 16 gauge type 304 stainless steel.

model #	weight		shelf length	
	lbs.	kg	in.	mm
TM36PRS	16	7.3	36"	914
TM48PRS	20	9.0	48"	1219
TM60PRS	25	11.3	60"	1524
TM72PRS	30	13.6	72"	1829
TM84PRS	35	15.9	84"	2134
TM96PRS	39	17.6	96"	2438
TM108PRS	41	18.6	108"	2743
TM120PRS	45	20.4	120"	3048
TM132PRS	49	22.2	132"	3353
TM144PRS	53	24.0	144"	3658

### EAGLE GROUP

100 Industrial Boulevard, Clayton, DE 19938-8903 USA

Phone: 302-653-3000 or 800-441-8440 • Fax: 302-653-2065

www.eaglegrp.com • www.eaglehmc.com

Printed in U.S.A.

©2022 by Eagle Group

Rev. 04/22

Spec sheets available for viewing, printing or downloading from our online literature library at [www.eaglegrp.com](http://www.eaglegrp.com)

Although every attempt has been made to ensure the accuracy of the information provided, we cannot be held responsible for typographical or printing errors. Information and specifications are subject to change without notice. Please confirm at time of order.