

ECONOMY 3-BOWL 1-DRAINBOARD SINK (LEFT)

SINKS - 3 BOWLS



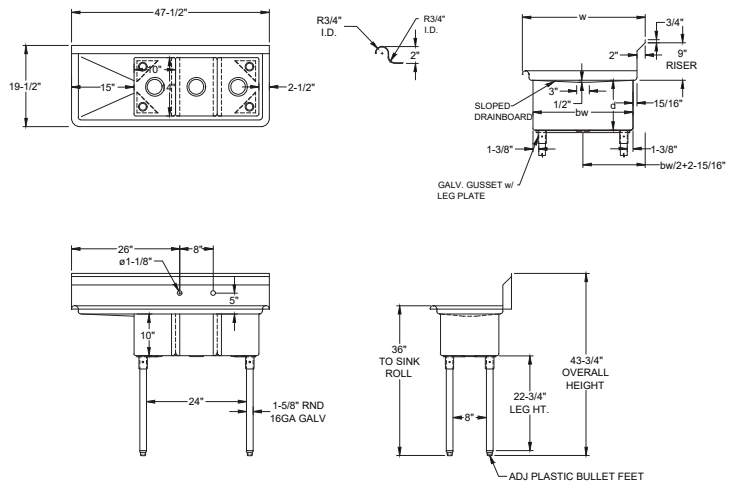
MATERIALS

- 18 Gauge 300 Series Stainless Steel; Fabricated
- Galvanized Legs and Gussets
- Plastic Bullet Feet

**COMPATIBLE WITH
NEW NBR FAUCETS!
SEE PAGE 75**

FEATURES

- 10"H Backsplash with 2" Return to Wall
- 8" On-Center Wall-Mounted Faucet Holes (* Has 2 Sets)
- 3-1/2" Die-Stamped Drain Opening With Drain Baskets Included
 - One Drainboard (Left Side)
 - Adjustable Bullet Feet



MODEL NUMBER	BOWL SIZE L X W X H	LENGTH	WIDTH	DRAINBOARD SIZE
3SG-101410L15	10" x 14" x 10"	47-1/2"	19-1/2"	15"
3SG-151514L15	15" x 15" x 14"	62-1/2"	20-1/2"	15"
3SG-162012L18	16" x 20" x 12"	68-1/2"	25-1/2"	18"
3SG-181812L18	18" x 18" x 12"	74-1/2"	23-1/2"	18"
3SG-182414L24	18" x 24" x 14"	80-1/2"	29-1/2"	24"
3SG-242414L24*	24" x 24" x 14"	98-1/2"	29-1/2"	24"