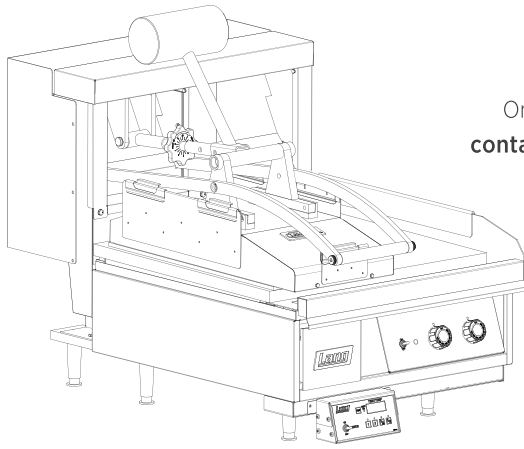




Job _____ Item No. _____

Contact Clamshell

□CCSE12



One [1] CCSE12 contact clamshell

mounted on a 24-inch griddle.

DESCRIPTION

The Lang contact clamshell is designed for quick and consistent cooking of a variety of menu items. The clamshell's electronic temperature control allows for easy and precise temperature adjustment. The clamshells use an easy-to-adjust, self-leveling design and provide excellent two sided cooking when combined with the thick griddle surface.

SPECIFICATIONS

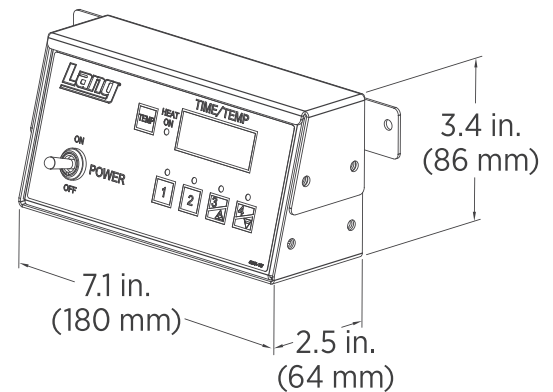
Lang contact clamshells will be constructed in the U.S.A. with corrosion-resistant stainless steel bodies. Each clamshell will have their own independent control panel. The self-leveling function will keep the clamshell level with the griddle and provide consistent contact heating to items up to three [3] inch (762 mm) thick. The power for each clamshell will be single phase, will be rated at 4.2 kW, and will run on 208, 240, or 480 volts depending on model. The clamshell will operate up to 500° F (260° C). The units will come ready to hard-wire to a single power box. If installing multiple units, they will require one [1] connection [and will use one power box] for each pair of clamshells. Each clamshell will utilize an independent electronic control box. Clamshells will require a mounting frame, which will need to be purchased additionally based on the griddle the clamshells are paired with.

WARRANTY

These units come with a one [1] year warranty for parts and labor.

FEATURES

- Double-sided cooking with griddle cuts cook time in half
- Self-levelling clamshell accommodates large items up to three [3] inch (762mm) thick as well as large quantities of smaller items, and all with consistent contact and heating
- 11-inch (279 mm) by 21.5-inch (546 mm) contact surface provides 1.64 square feet (1524 cm²) of cooking area
- Platen levelling is adjustable without tools
- Supplied with one [1] easy-to-install non-stick sheet
- Each clamshell utilizes an individual control box for independent electronic temperature control



OPTIONS & ACCESSORIES

- Replacement non-stick sheets [package of 10, part number CCSE12C-10NS]

CERTIFICATIONS





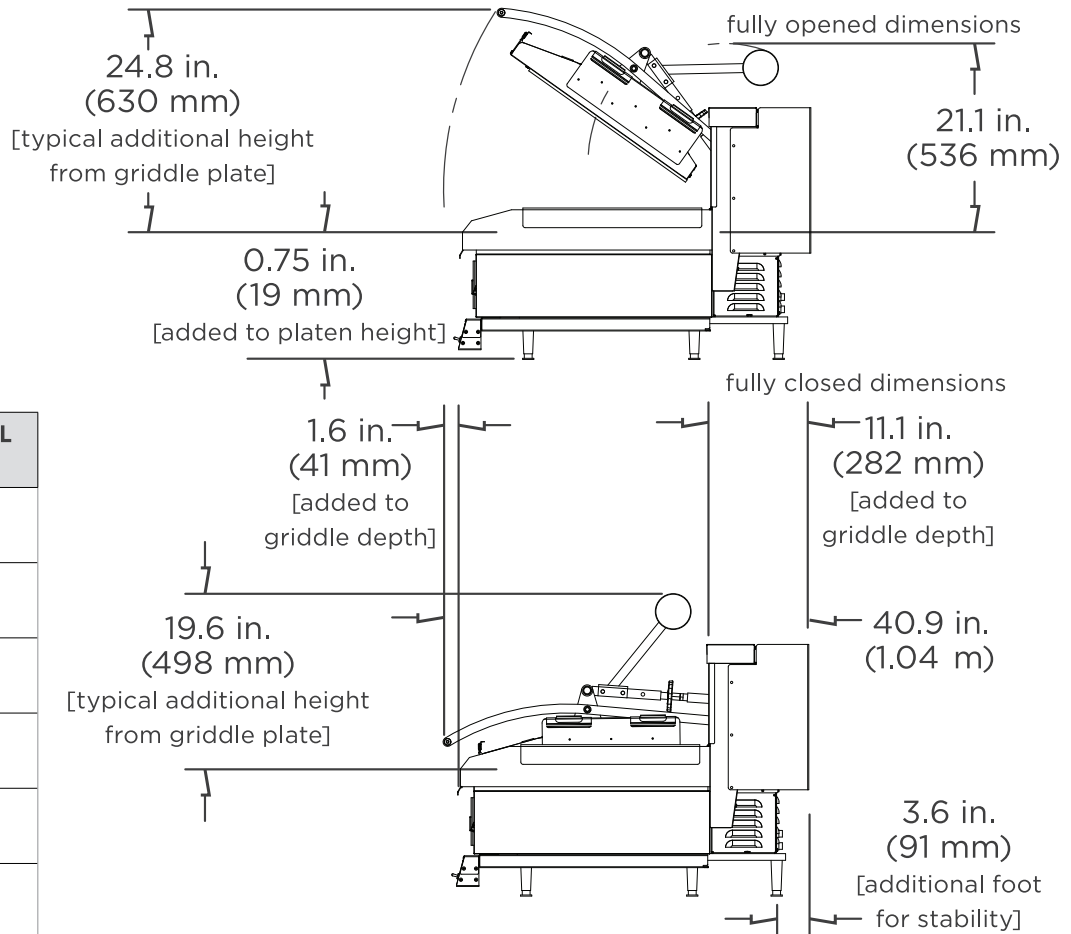
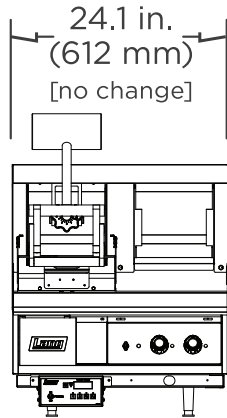
Contact Clamshell

□CCSE12

Two [2] CCSE12 mounted on 124THE griddle shown.

ADDITIONAL INSTALLATION INFORMATION

Dimensions are expected changes when mounted to griddle. For information on griddle dimensions, refer to the spec sheet for that griddle. A griddle will support one [1] hood per foot of griddle width. Up to two [2] hoods can use one [1] electrical connector box—setups with more than two hoods will use additional electrical connector boxes.



NUMBER OF HOODS	ADDITIONAL WEIGHT
1	80 lb. (36.3 kg)
2	155 lb. (70.3 kg)
3	235 lb. (106.6 kg)
4	310 lb. (140.6 kg)
5	390 lb. (176.9 kg)
6	465 lb. (210.9 kg)

NUMBER OF HOODS PER CONNECTOR BOX	VOLTAGE, PHASE	AMPS	TOTAL KW	MINIMUM SUPPLY WIRE GAUGE	HZ	RECOMMENDED NEMA PLUG [NO PLUG INCLUDED]
1	208, 1Φ	20.2	4.2	12	60	6-30P
2	208, 1Φ	40.4	8.4	8	60	6-50P
1	240, 1Φ	17.5	4.2	14	60	6-30P
2	240, 1Φ	35	8.4	8	60	6-50P
1	480, 1Φ	8.8	4.2	14	60	N/A
2	480, 1Φ	17.6	8.4	12	60	N/A

Due to periodic changes in designs, methods, procedures, policies and regulations, the specifications contained in this sheet are subject to change without notice. While Star Manufacturing exercises good faith efforts to provide information that is accurate, we are not responsible for errors or omissions in information provided or conclusions reached as a result of using the specifications. By using the information provided, the user assumes all risks in connection with such use.



LANG MANUFACTURING • www.langworld.com
 265 Hobson Street • Smithville, Tennessee 37166
 Telephone 314 678 6315 • Fax 314 781 3636

Printed in the U.S.A. • 2M-Z21348 • Rev G • 10.2018
 Please refer to the owner's manual for information regarding installation or use.