

• **BD3632DSIS**

36-3/8"L x 32-1/4"D x 82-5/8"H

### Included

- NOTE: Must be paired w/ a standalone unit equipped w/ E-Box (Max (1) satellite unit per standalone unit)
- (5) Display levels with (4) trays on each level
- LED 4000K top & shelf lights
- One piece formed ABS plastic tub
- One year parts & labor warranty
- Shelving removable and adjustable on 1" centers



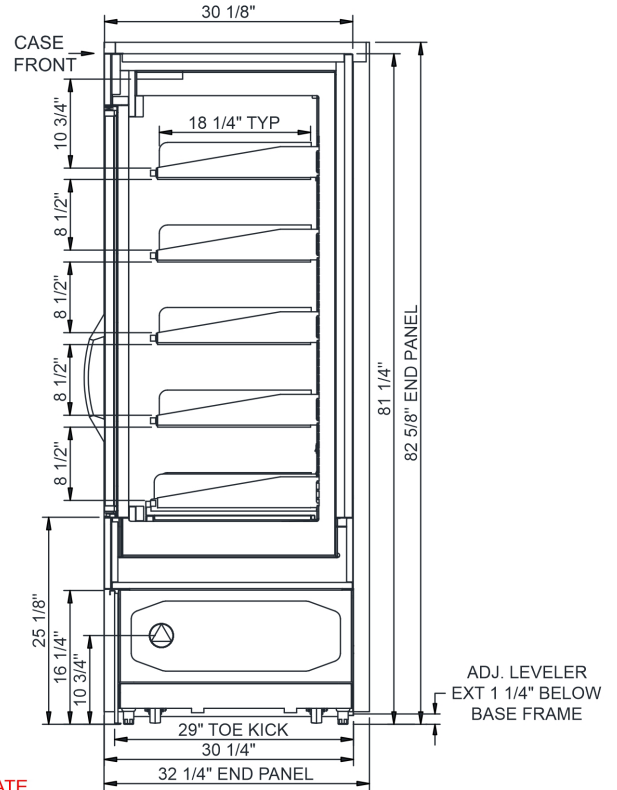
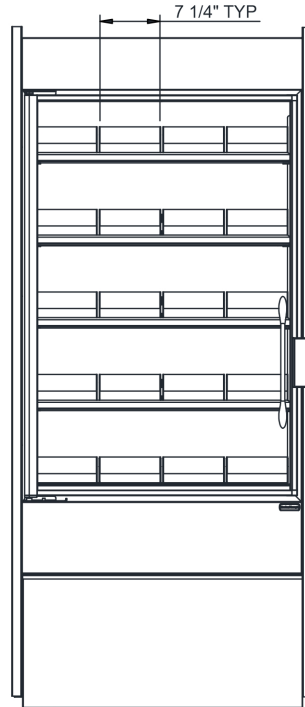
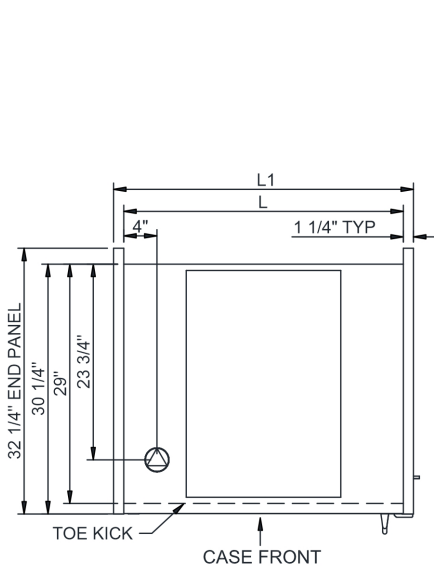
**BD3632DSIS**

Specify	Standard Features	Additional Options
<b>EXTERIOR COLOR</b>	• Powder coated Silversan Black	
<b>INTERIOR COLOR</b>	• Powder coated Silversan Black	
<b>BASE SUPPORT</b>	• Casters w/ levelers	• Seismic levelers
<b>END PANELS</b>	• Full w/stainless steel mirror interior	
<b>FRONT DOORS</b>	• Clear glass swinging door w/ left hinge (self-closing)	• Clear glass swinging door w/ right hinge (self-closing)
<b>VINYL GRAPHICS</b>	• None	• Full wrap graphic set • Logo graphic only
<b>SHELVING</b>	• Metal shelves (5), lighted (LED)	
<b>LIGHTS</b>	• LED 4000K top & shelf lights	
<b>E-BOX LOCATION</b>	• None	
<b>ELECTRICAL CONNECTION</b>	• 6' GFCI straight blade power cord (base exit)	• 6' GFCI locking blade power cord (base exit)
<b>MISCELLANEOUS</b>		• Second year parts & labor warranty

<b>Intended Environment:</b> Type II - Designed to operate in ambient conditions of 80°F and 55% relative humidity unless noted otherwise in system information below.		
<b>Zone</b>	<b>Intended Product To Be Displayed</b>	<b>Warmest Avg Prod Temp ° F</b>
1	Packaged non-refrigerated products	Ambient

### PLAN VIEW

### SIDE VIEW



NOTE:  
1. SHELF TRAY DIMENSIONS: 7 1/4" W X 18 1/4" D

NOTE: ALL DIMENSIONS APPROXIMATE

- ELECTRICAL JUNCTION BOX (SUPPLIED WITH 6" LEADS OR POWER CORD).
- LOCATION OF DRAIN TUBE FOR REMOTE REF. ONLY (SUPPLIED WITH 3/4" OR 1 1/2" PVC TUBE).

- REFRIGERATION LINE CONNECTION.
- REMOTE FLOOR SINK & UTILITIES ACCESS AREA.

- SELF-CONTAINED CASE SERVICE ACCESS AREA.
- DRY CASE SERVICE ACCESS AREA.

Model Technical Specifications																	
Model	L"	L1"	L2"	System Circuit Volts		Phs	Freq	Amps ***	Watts	Wires	NEMA Plug	SST	Conv. Rack RTUH	Para. Rack RTUH	Est Wt		
BD3632DSIS	33.88	36.38	.00	Ambient/Lights (N/A)		Circuit #1	110-120	1	60	1.70	68	2+G	5-15P or L5-15P	N/A	N/A	N/A	680

\*\*\* Does not include electric defrost on freezer models.

#### Regulatory Approvals:

All Models ETL Listed to UL 751  
ETL Listed to CAN/CSA 22.2 No. 128  
ETL Sanitation to NSF/ANSI 25



#### Important Notes:

- 1) Must be paired w/ a standalone unit equipped w/ E-Box (Max (1) satellite unit per standalone unit).
- ⚠ WARNING:** This product can expose you to chemicals, including Urethane (Ethyl Carbamate), which are known to the State of California to cause cancer and birth defects or other reproductive harm. For more information go to [www.P65Warnings.ca.gov](http://www.P65Warnings.ca.gov).