



Project _____

Item # _____

Quantity _____

Glo-Ray® Simulated Stone Built-In Rectangular Heated Shelves

Models: GRSSB-2418, -3018, -3618, -4818, -6018, -7218

Hatco's Glo-Ray® Simulated Stone Built-In Rectangular Heated Shelves are made of foodsafe materials and come in three simulated stone colors. These unique warmers will safely hold food hot while blending in with your décor and are ideal for buffet lines or as hors d'oeuvre displays.

Standard features

- Constructed with approved food-safe materials
- Adjustable thermostatically-controlled heated base
- Blanket-type foil element creates uniform heat across the entire simulated stone surface
- For use in metallic counters. For other surfaces, verify material is suitable for temperature up to 200°F (93°C)
- Includes a control box with 3' (915 mm) conduit between the heated shelf and the control box and 6' (1829 mm) cord and plug
- GRSSB models match the Hot/Cold (HCSSB) and Cold only (CSSB) Built-In Shelf models for a fully integrated look

▽ Simulated Stone is Swanstone®
 ♦ Hatco is not responsible for counter damage caused by heat from the warmer.



Options (available at time of purchase only)

Rectangular Simulated Stone Shelf – Night Sky Standard – Non-standard colors are non-returnable
 Gray Granite Bermuda Sand

Designer Colors for Flush Mount Control Bezel Box – Stainless Steel Standard – Non-standard colors are non-returnable
 Warm Red Black Gray Granite White Granite
 Navy Blue Hunter Green Antique Copper

Control Boxes - with Lighted Power Rocker Switch, cord and plug
 Flush Mount ITC Control Box with lighted On/Off rocker switch and angled recessed controls – 6.813"W x 7.8135"H x 4.813"D (162 x 198 x 134 mm)
 Flush Mount Recessed Thermostatic Control Box with lighted On/Off rocker switch and angled recessed controls in stainless steel 6.813"W x 7.8135"H x 4.813"D (162 x 198 x 134 mm)

Conduit in lieu of standard 3' (914 mm) (Flush Mount ITC Control Box only)
 6' (1829 mm) conduit 10' (3048 mm) conduit
 90° Conduit Connector on Main Unit (straight conduit connector is standard)
 Recessed Top – Heated Stone surface is .5" (12mm) below surrounding surface

Note for Built-In Heated Shelves with overhead Strip Heaters:

For any size GRSSB, select the next larger size GRA or GR2A strip heater. For example, for a GRSSB-3018 built-in heated shelf, select either a GRA-36 or GR2A-36. The GRA will have a tight fit to the frame of the base. The GR2A will have approximately a 4" (102 mm) space.

NOTE: Install Remote Box outside Heat Zone or damage will occur.

IFS anti-microbial coatings use naturally-occurring, environmentally sustainable, silver ions to help inhibit the growth of microbes on the powder coated surface. See www.hatcocorp.com/antimicrobial-paint for more information.

For operation, location and safety information, please refer to the Installation and Operating Manual.



HATCO CORPORATION | P.O. Box 340500 Milwaukee, WI 53234-0500 U.S.A. | (414) 671-6350



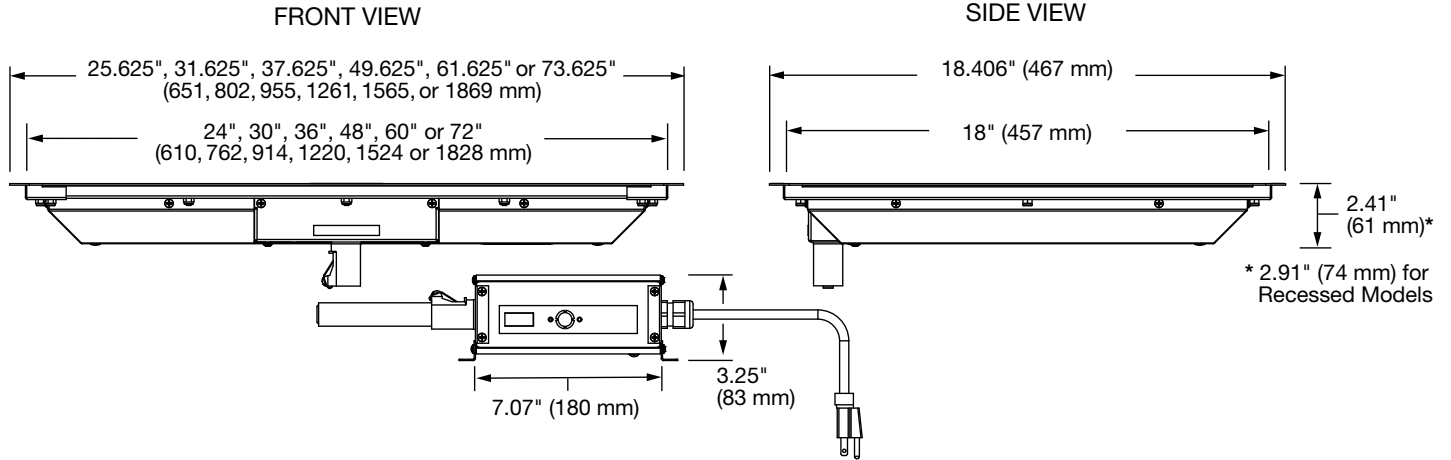
www.hatcocorp.com | support@hatcocorp.com | [Find a Hatco Rep](#) | [Image Library](#) | [Document Library](#) | [Patents](#) | [Chat](#)



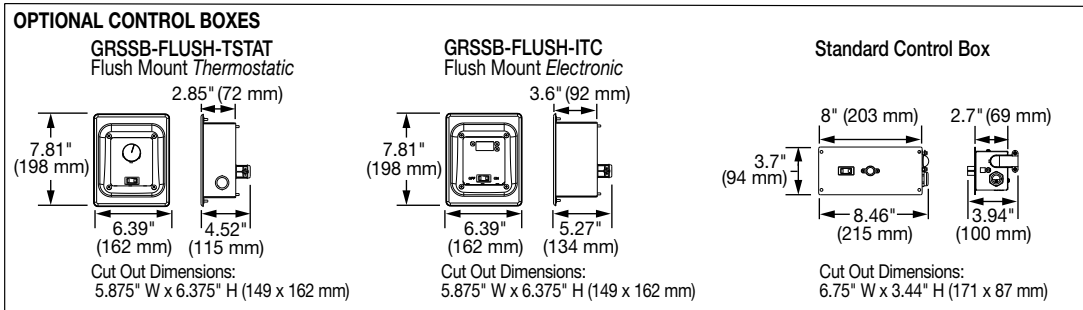
Glo-Ray® Simulated Stone Built-In Rectangular Heated Shelves

Models: GRSSB-2418, -3018, -3618, -4818, -6018, -7218

GRSSB



* 2.91" (74 mm) for Recessed Models



SPECIFICATIONS

Glo-Ray Simulated Stone Built-In Rectangular Heated Shelves

The shaded areas contain electrical information for international models

Model ^M	Dimensions (Width x Depth x Height)	Volts	Phase	Watts	Amps	Plug	Approx. Ship Weight
GRSSB-2418↔	25.625" x 19.625" x 2.27" (651 x 498 x 58 mm)	120	Single	635	5.3	NEMA 5-15P	30 lbs. (14 kg)
		220-230 (CE)	Single	534-583	2.4-2.5	CEE 7/7 Schuko	
		230-240 (CE)		583-635	2.5-2.6	BS-1363, CCC †	
GRSSB-3018↔	31.625" x 19.625" x 2.27" (803 x 498 x 58 mm)	120	Single	780	6.5	NEMA 5-15P	43 lbs. (20 kg)
		220-230 (CE)	Single	655-716	3.0-3.1	CEE 7/7 Schuko	
		230-240 (CE)		716-780	3.1-3.3	BS-1363, CCC †	
GRSSB-3618↔	37.625" x 19.625" x 2.27" (955 x 498 x 58 mm)	120	Single	930	7.8	NEMA 5-15P	48 lbs. (22 kg)
		220-230 (CE)	Single	782-854	3.6-3.7	CEE 7/7 Schuko	
		230-240 (CE)		854-930	3.7-3.9	BS-1363, CCC †	
GRSSB-4818↔	49.625" x 19.625" x 2.27" (1261 x 498 x 58 mm)	120	Single	1270	10.6	NEMA 5-15P	51 lbs. (24 kg)
		220-230 (CE)	Single	1068-1166	4.8-5.0	CEE 7/7 Schuko	
		230-240 (CE)		1166-1270	5.0-5.2	BS-1363, CCC †	
GRSSB-6018↔	61.625" x 19.625" x 2.27" (1565 x 498 x 58 mm)	120	Single	1560	13.0	NEMA 5-20P	64 lbs. (29 kg)
		220-230 (CE)	Single	1310-1432	6.0-6.2	CEE 7/7 Schuko	
		230-240 (CE)		1432-1560	6.2-6.6	BS-1363, CCC †	
GRSSB-7218↔	73.625" x 19.625" x 2.27" (1869 x 498 x 58 mm)	120	Single	1860	15.6	NEMA 5-20P	70 lbs. (32 kg)
		220-230 (CE)	Single	1564-1708	7.2-7.4	CEE 7/7 Schuko	
		230-240 (CE)		1708-1860	7.4-7.8	BS-1363	

^M Recommended for use in a metallic countertop. For other surfaces, verify material is suitable for temperatures up to 200°F (93°C).

↔ Width and depth includes trim rings.

♠ Simulated Stone is Swanstone®.

† CCC for GRSSB 200-230V only.

HATCO CORPORATION

P.O. Box 340500 Milwaukee, WI 53234-0500 U.S.A. | (414) 671-6350



www.hatcocorp.com

support@hatcocorp.com

[Find a Hatco Rep](#)

[Image Library](#)

[Document Library](#)

[Patents](#)

[Chat](#)



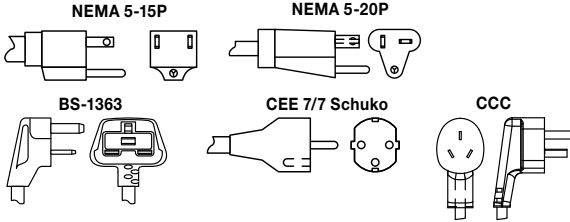
Glo-Ray® Simulated Stone™ Built-In Rectangular Heated Shelves

Models: GRSSB-2418, -3018, -3618, -4818, -6018, -7218

CORD LOCATION

Cord attached to Control Box

PLUG CONFIGURATIONS



Countertop Cut-Out Dimensions

Model	Min. Width	Max. Width	Min. Depth	Max. Depth
GRSSB-2418	24.62" (625 mm)	24.87" (632 mm)	18.62" (473 mm)	18.87" (480 mm)
GRSSB-3018	30.62" (778 mm)	30.87" (784 mm)	18.62" (473 mm)	18.87" (480 mm)
GRSSB-3618	36.62" (930 mm)	36.87" (937 mm)	18.62" (473 mm)	18.87" (480 mm)
GRSSB-4818	48.62" (1235 mm)	48.87" (1241 mm)	18.62" (473 mm)	18.87" (480 mm)
GRSSB-6018	60.62" (1540 mm)	60.87" (1546 mm)	18.62" (473 mm)	18.87" (480 mm)
GRSSB-7218	72.62" (1845 mm)	72.87" (1851 mm)	18.62" (473 mm)	18.87" (480 mm)

PRODUCT SPECS

Glo-Ray® Simulated Stone™ Built-In Rectangular Heated Shelves

The Glo-Ray Simulated Stone™ Built-In Rectangular Heated Shelf shall be a Glo-Ray® Model ... as manufactured by the Hatco Corporation, Milwaukee, WI 53234 U.S.A.

The Glo-Ray Simulated Stone™ Built-In Rectangular Heated Shelf shall be rated at ... watts, ... volts, and ... inches (millimeters) in overall width.

It shall consist of a food-safe material, thermostatically-controlled heated base with Lighted Rocker Switch, remote box with 3' (914 mm) conduit.

Options shall include: *Designer* Color for Flush Mount Control Bezel (Stainless Steel standard), Flush Mount (ITC or Thermostatic) Control Box, a 6' (1829 mm) or 10' (3048 mm) conduit used with ITC Control Boxes only, 90° Conduit Connector, and a recessed top. All *Designer* Colors are anti-microbial paint.

Warranty consists of 24/7 parts and service assistance (U.S. and Canada only).

™ Simulated Stone is Swanstone®.

HATCO CORPORATION

P.O. Box 340500 Milwaukee, WI 53234-0500 U.S.A. | (414) 671-6350



www.hatcocorp.com

support@hatcocorp.com

[Find a Hatco Rep](#)

[Image Library](#)

[Document Library](#)

[Patents](#)

[Chat](#)