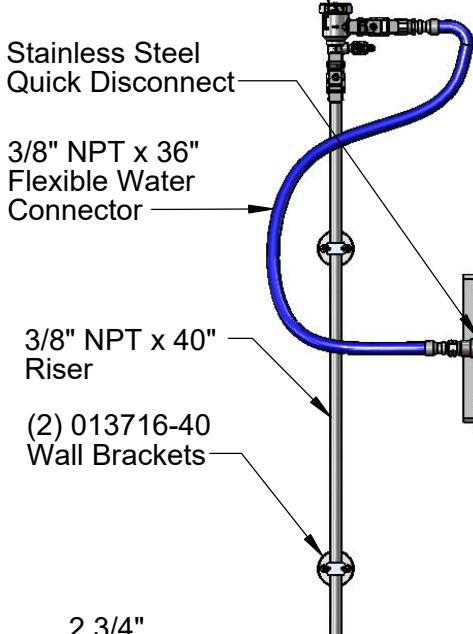


Universal EasyInstall  
Stainless Steel Wall Mount  
Swing Bracket w/ 100° Rotation

B-0963  
Continuous Pressure  
Vacuum Breaker w/  
Integral Check Valve



Stainless Steel  
Quick Disconnect

3/8" NPT x 36"  
Flexible Water  
Connector

3/8" NPT x 40"  
Riser

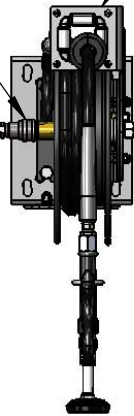
(2) 013716-40  
Wall Brackets

2 3/4"  
[70mm]

Ø 2" [51mm]  
Flanges w/  
1/2" NPT  
Female Inlets  
& In-Line  
Check Valves

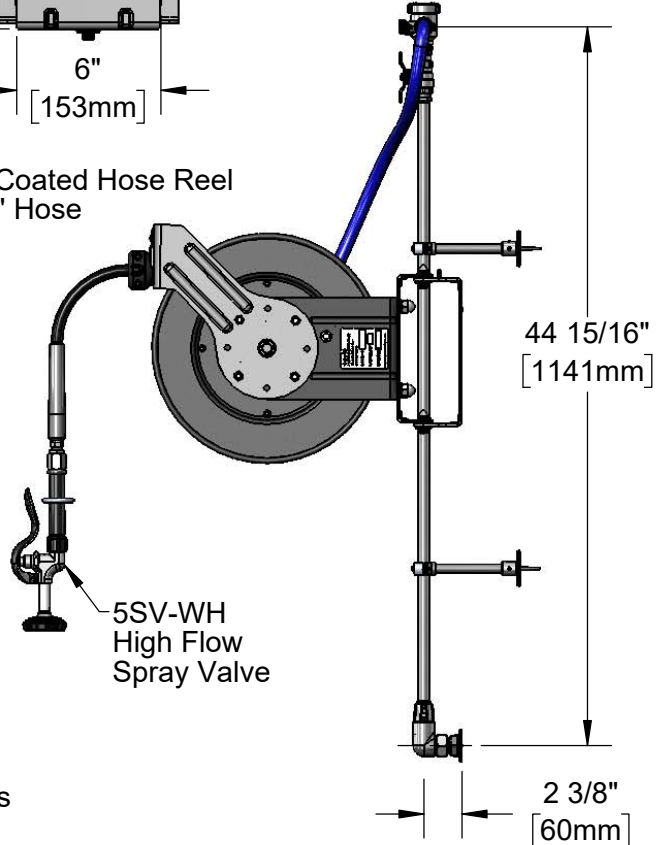
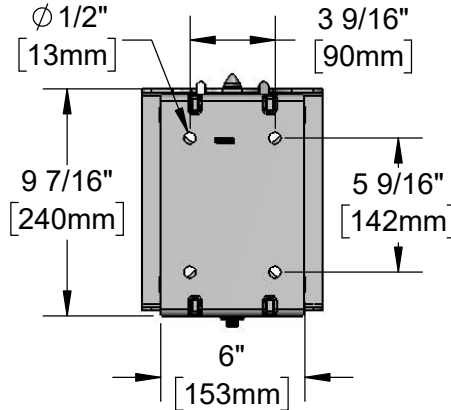
Adjustable From  
7 3/4" to 8 1/4"  
[197mm to 210mm]

Black Powder Coated Hose Reel  
w/ 35' of Ø 3/8" Hose



8" Wall Mount  
Mixing Faucet,  
Quarter-Turn  
Ceramic Cartridges  
& equip Lever Handles  
w/ Color Coded  
Indexes

**Mounting Details**



5SV-WH  
High Flow  
Spray Valve

44 15/16"  
[1141mm]

2 3/8"  
[60mm]

*This Space for Architect/Engineer Approval*

Job Name \_\_\_\_\_ Date \_\_\_\_\_

Model Specified \_\_\_\_\_ Quantity \_\_\_\_\_

Customer/Wholesaler \_\_\_\_\_

Contractor \_\_\_\_\_

Architect/Engineer \_\_\_\_\_

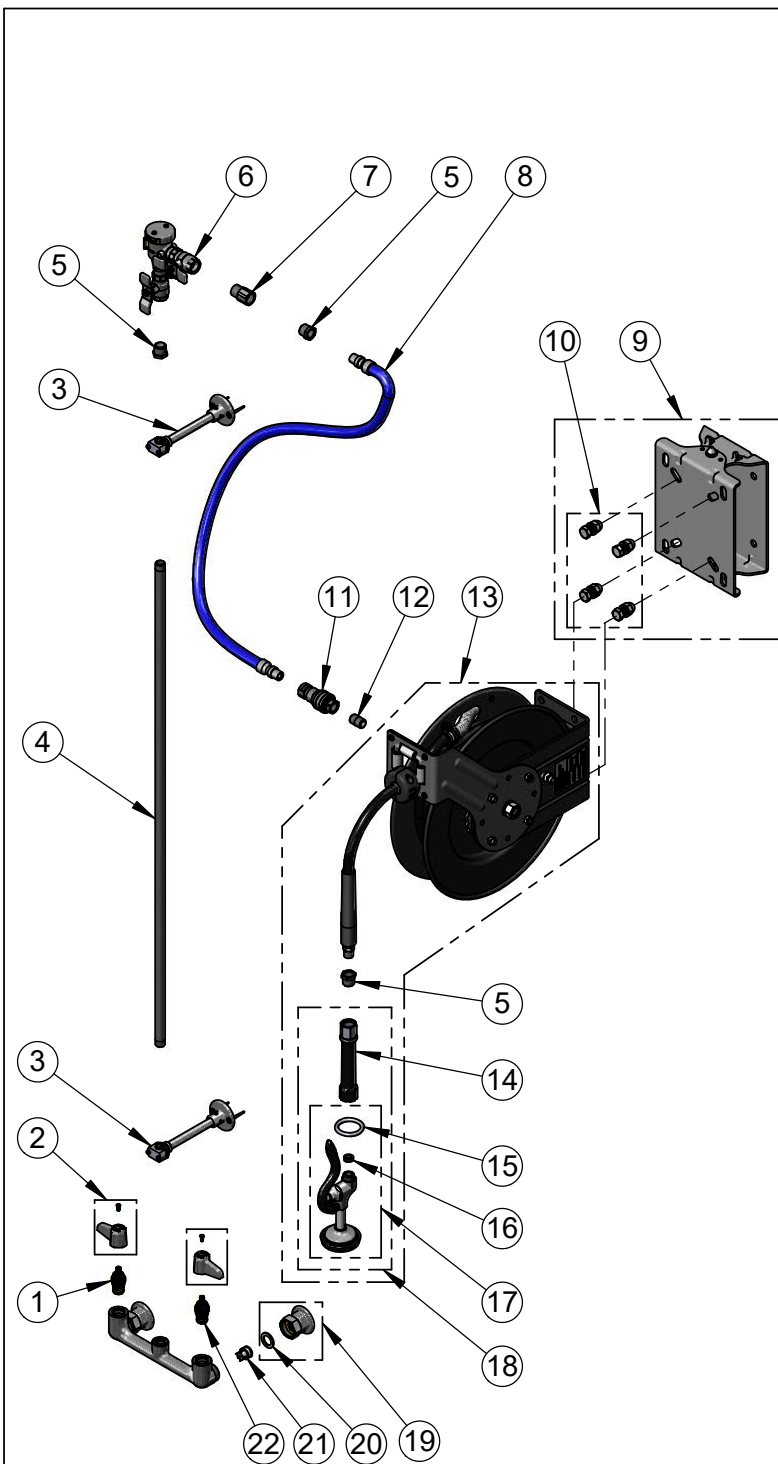
Model Number  
**5HR-232-01WE1**

Product Compliance:  
NSF 61 Exempt (Non-Potable)  
2019 DOE PRSV Non-Compliant  
ASSE 1056 (VB)

Product Specifications:  
Open Epoxy Coated Steel Hose Reel w/ 35' of 3/8" Hose,  
High Flow Spray Valve, Vacuum Breaker, 3/8" NPT Flexible  
Water Hose, 8" Wall Mount Mixing Faucet w/ In-Line Check Valves,  
1/2" NPT Female Inlets, (2) Wall Brackets, & Universal Swing Bracket

equip  
Foodservice  
Accessories

2 Saddleback Cove, P.O. Box 1088  
Travelers Rest, South Carolina 29690  
Phone: 800.891.4808 Fax: 800.868.0084  
equip.tsbrass.com



ITEM NO.	SALES NO.	DESCRIPTION
1	013787-45	equip Ceramic Cartridge, RTC
2	5-HDL-L	equip Lever Handle w/ Color Coded Screws
3	013716-40	6" Wall Bracket
4	002558-40	3/8" NPT x 40" Riser
5	001359-40	Hex Bushing, 1/2" NPT Male x 3/8" NPT Female
6	B-0963	Continuous Pressure VB w/ Integral Check Valve
7	015073-40	Check Valve w/ 1/2" NPT Adapter
8	HW-2B-36	3/8" NPT x 36" Flexible Water Hose
9	G019430-45	Universal EasyInstall Stainless Steel Swing Bracket
10	019191-45K	Hose Reel Bracket Mounting Kit
11	AW-5B	3/8" NPT Quick Disconnect
12	002535-25	3/8" Close Nipple
13	5HR-232-01	35' of 3/8" equip Open Coated Hose Reel
14	5HR-HDL	Hose Reel Grip Handle
15	000907-45	Spray Valve Hold Down Ring
16	010476-45	#27 Washer
17	5SV-H	High Flow Spray Valve
18	5SV-WH	High Flow Spray Valve, Handle, & Ring
19	00AA	1/2" NPT Female Inlet Flange
20	001019-45	Coupling Nut Washer
21	013840-45	20mm Check Valve
22	013788-45	equip Ceramic Cartridge, LTC

Model Number  
**5HR-232-01WE1**

Product Compliance:  
NSF 61 Exempt (Non-Potable)  
2019 DOE PRSV Non-Compliant  
ASSE 1056 (VB)

Product Specifications:  
Open Epoxy Coated Steel Hose Reel w/ 35' of 3/8" Hose,  
High Flow Spray Valve, Vacuum Breaker, 3/8" NPT Flexible  
Water Hose, 8" Wall Mount Mixing Faucet w/ In-Line Check Valves,  
1/2" NPT Female Inlets, (2) Wall Brackets, & Universal Swing Bracket

equip  
Foodservice  
Accessories



2 Saddleback Cove, P.O. Box 1088  
Travelers Rest, South Carolina 29690  
Phone: 800.891.4808 Fax: 800.868.0084  
equip.tsbrass.com