

Fusion

GLDS 52"H Refrigerated Service Case

Structural Concepts®

DELIVERING FRESH. ALWAYS.™

- **GLDS4R** 51"L x 47-7/8"D x 51-5/8"H
- **GLDS5R** 62-7/8"L x 47-7/8"D x 51-5/8"H
- **GLDS6R** 75-3/8"L x 47-7/8"D x 51-5/8"H

Included

- Remote DX refrigeration
- LED top light
- Lift-up front glass
- One year parts & labor warranty
- Stainless steel rear exterior
- Warmest average product temperature of 40°F or less



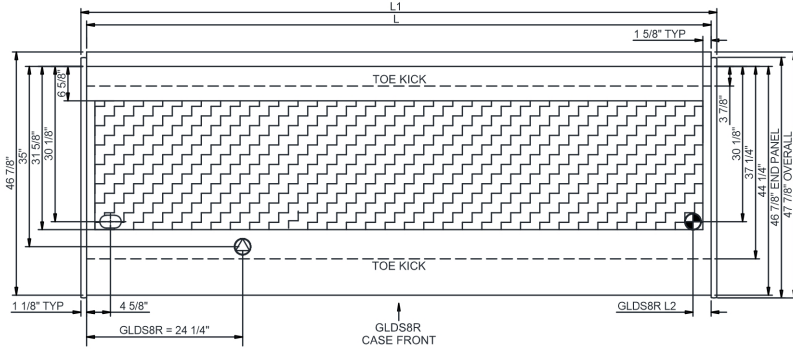
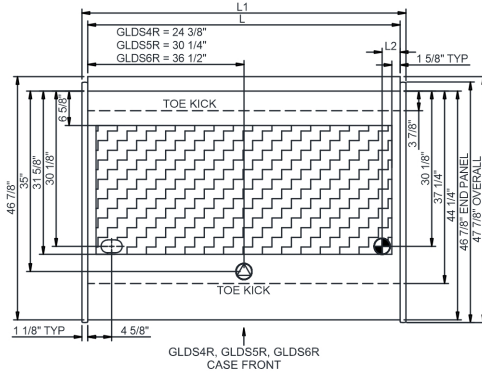
GLDS6R

Specify	Standard Features	Additional Options
EXTERIOR COLOR	• Laminate (stock colors)	• Laminate (non-stock colors) • Powder coated (stock/non-stock colors) • Powder coated Silversan Black • Stainless steel
INTERIOR COLOR	• Powder coated Silversan Black	• Stainless steel
LOWER FRONT PANEL COLOR	• Powder coated Silversan Black	• Powder coated (stock/non-stock colors) • Stainless steel
BASE SUPPORT	• Rail system for shims (remote)	
BUMPER FRONT	• 1" Boston bumper (specify color)	• 1" Stainless steel plate rail bumper
DISPLAY	• None	• 2"H Full depth display riser(s)
END PANELS	• Full w/stainless steel mirror interior	• Cutaway w/glass • None (specify per line-up)
FRONT GLASS	• Curved	• Flat angled
REAR LEDGE	• Black Sanalite®	• Stainless steel
SCALE STAND	• None	1 • Scale stand w/ receptacle & CAT5 (specify location) • Scale stand w/ receptacle (specify location)
PRICE TAG MOLDING	• None	• 1" Price tag molding (black or silver) • Universal price tag molding (clear w/ open top)
LIGHTS	• LED 3500K w/ frosted lens	• LED 4000K w/ frosted lens
ELECTRICAL CONNECTION	• Electrical leads (remote)	
REFRIGERATION	• Remote DX refrigeration	• Remote w/thermostat, solenoid & TXV
SENSOR	• None	• CPC discharge air sensor (remote)
MISCELLANEOUS		• Front glass lock • Rear door lock
ACCESSORIES		• Drain strainer • Stainless steel condiment rail system

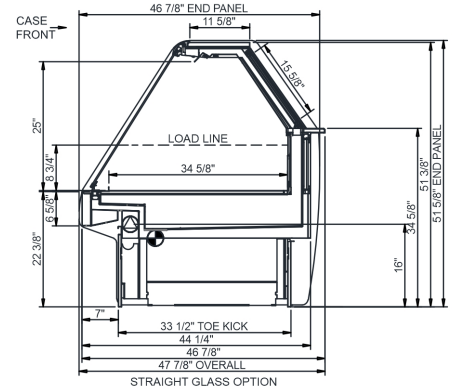
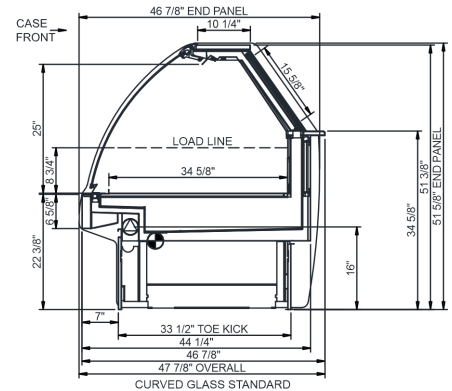
Option Notes: 1 - Separate circuit required

Intended Environment: Type I - Designed to operate in ambient conditions of 75°F with 55% relative humidity unless noted otherwise in system information below.		
Zone	Intended Product To Be Displayed	Warmest Avg Prod Temp ° F
1	Unpackaged refrigerated products	40

PLAN VIEW



SIDE VIEW



NOTE: ALL DIMENSIONS APPROXIMATE

- ELECTRICAL JUNCTION BOX (SUPPLIED WITH 6" LEADS OR POWER CORD).
- LOCATION OF DRAIN TUBE FOR REMOTE REF. ONLY (SUPPLIED WITH 3/4" OR 1 1/2" PVC TUBE).

- REFRIGERATION LINE CONNECTION.
- REMOTE FLOOR SINK & UTILITIES ACCESS AREA.

- SELF-CONTAINED CASE SERVICE ACCESS AREA.
- DRY CASE SERVICE ACCESS AREA.

Model Technical Specifications																
Model	L"	L1"	L2"	System Circuit Volts		Phs	Freq	Amps ***	Watts	Wires	NEMA Plug	SST	Conv. Rack BTUH	Para. Rack BTUH	Est Wt	
GLDS4R	48.75	51.00	3.50	Remote (DX)	Circuit #1	110-120	1	60	1.53	106	2+G	Leads Multiple	20.00	1179	1092	1,050
GLDS5R	60.63	62.88	3.50	Remote (DX)	Circuit #1	110-120	1	60	2.02	84	2+G	Leads Multiple	20.00	1568	1452	1,150
				Remote (GLYCOL 35%)	Circuit #1	110-120	1	60	1.99	168	2+G	Leads Multiple	-	1566	1450	
GLDS6R	73.13	75.38	3.50	Remote (DX)	Circuit #1	110-120	1	60	2.29	82	2+G	Leads Multiple	20.00	1771	1640	1,250
				Remote (GLYCOL 35%)	Circuit #1	110-120	1	60	2.29	82	2+G	Leads Multiple	-	1771	1640	

*** Does not include electric defrost on freezer models.

Regulatory Approvals:

All Models
 Accordance with AHRI Std 1200
 ETL Listed to UL 471
 ETL Listed to CAN/CSA 22.2 No. 120
 ETL Sanitation to NSF/ANSI 7



In Accordance with
AHRI Std 1200

DOE 2017
 Energy Efficiency
 Compliant

Important Notes:

- 1) ELECTRICAL NOTE: If GFCI is required, a GFCI breaker MUST be used in lieu of a GFCI receptacle.
- 2) 50" minimum door entry clearance required (without shipping skid).
- 3) Units must be shimmed during installation to ensure the unit is level and plumb.

⚠ WARNING: This product can expose you to chemicals, including Urethane (Ethyl Carbamate), which are known to the State of California to cause cancer and birth defects or other reproductive harm. For more information go to www.P65Warnings.ca.gov.