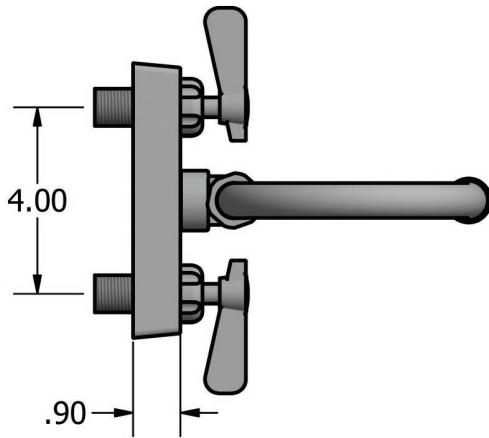
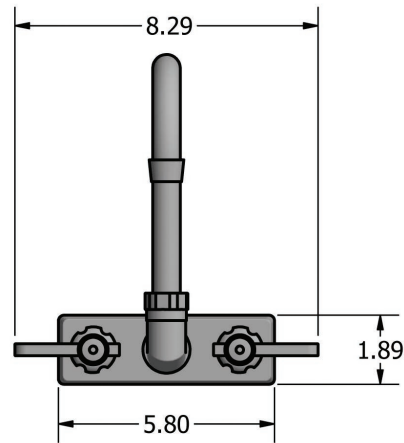
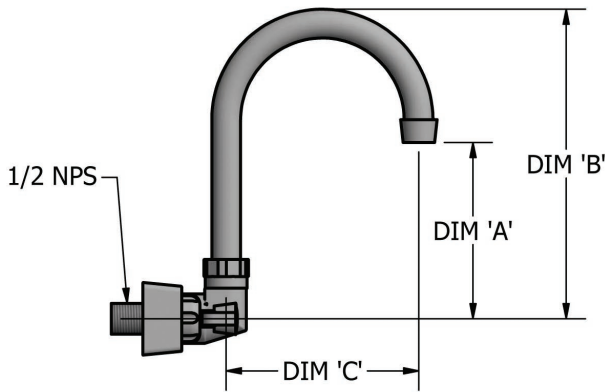




Use your smart phone to scan the above QR code to visit our website: www.bk-resources.com

4" Splash Mount Stainless Steel Faucet with Gooseneck Spout

Model: EVO-4SM-XG



Product Specifications:

- T-304 Cast Stainless Steel
- 1/4 Turn Ceramic Cartridges
- Color Coded Hot & Cold Indicators
- Double O-Ring Spout Seal
- Stainless Steel Cover
- Integral Check Valve
- Lead Free Compliant
- Lifetime Warranty

Product Detail:

Model Number	DIM. A	DIM. B	DIM. C	Product Weight (lbs)
EVO-4SM-4G	5.19"	9.06"	4.75"	4.00
EVO-4SM-5G	6.56"	10.31"	6.38"	4.00
EVO-4SM-8G	7.50"	12.38"	9.50"	4.00

Certifications:



PRODUCT SPECIFICATION SHEET

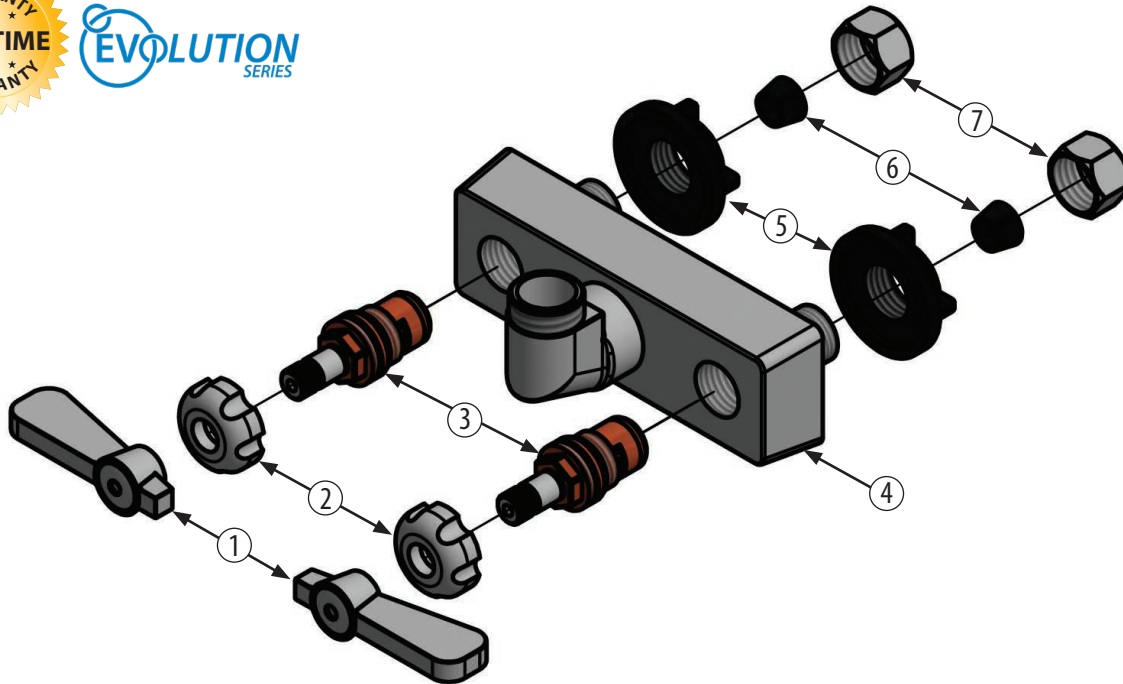
RESOURCES





4" Splash Mount Stainless Steel Faucet with Gooseneck Spout

Model: EVO-4SM-XG



Exploded Parts Detail:

Diagram #	Quantity	Part Number	Description
1	2	EVO-4SM-HANDLE	Handle
2	2	EVO-4SM-BONNET	Valve Bonnet
3	2	EVO-4SM-VALVE	Ceramic Valve
4	1	EVO-4SM-BODY	Faucet Body
5	2	EVO-4SM-MN	Mounting Nut
6	2	EVO-4SM-CF	Compression Fitting
7	2	EVO-4SM-CN	Compression Nut

PRODUCT SPECIFICATION SHEET

RESOURCES

