



**T&S BRASS AND BRONZE WORKS, INC.**  
 2 Saddleback Cove / P.O. Box 1088  
 Travelers Rest, SC 29690

Model No.  
**S-1205**

Item No.

Travelers Rest, SC: 800-476-4103 • Simi Valley, CA: 800-423-0150 • Fax: 864-834-3518 • www.tsbrass.com

**EVERSTEEL**



**ADA Compliant**

This Space for Architect/Engineer Approval

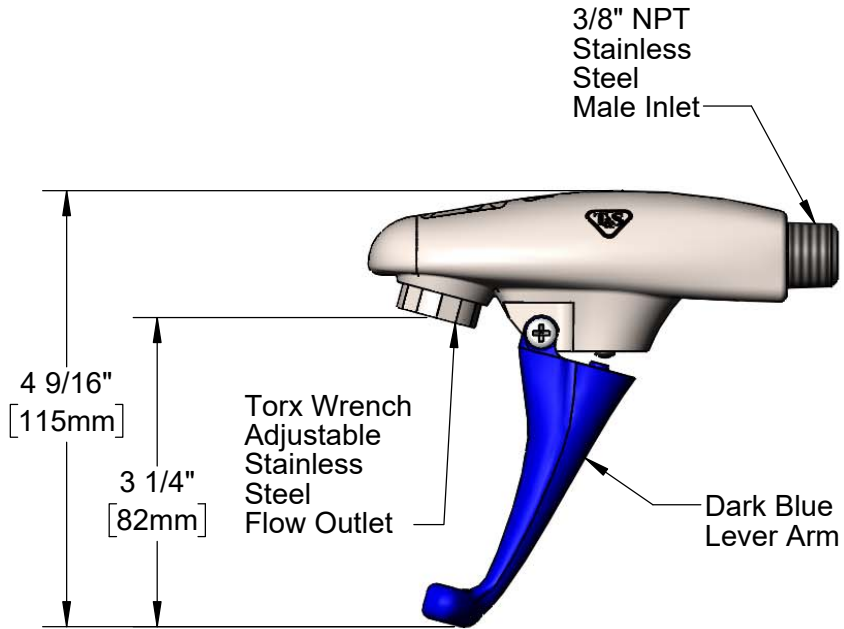
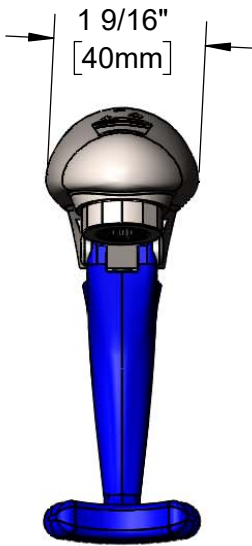
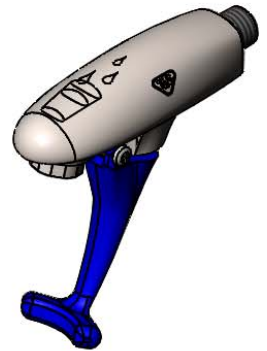
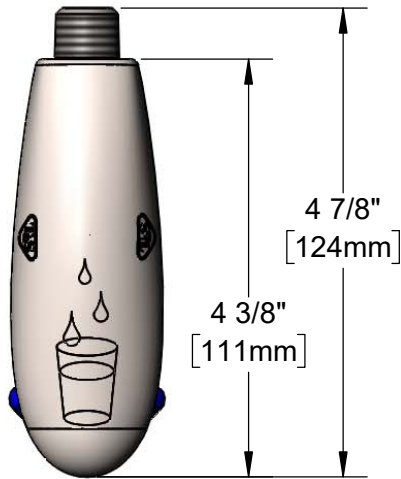
Job Name \_\_\_\_\_ Date \_\_\_\_\_

Model Specified \_\_\_\_\_ Quantity \_\_\_\_\_

Customer/Wholesaler \_\_\_\_\_

Contractor \_\_\_\_\_

Architect/Engineer \_\_\_\_\_



Rough-In Requirement:  
 $\phi$ 7/8" [22mm] Mounting Hole

**Product Specifications:**

Wall Mount Stainless Steel Glass Filler, Push Back Design, Dark Blue Self-Closing Arm & 3/8" NPT Stainless Steel Male Inlet, Less Wall Flange

**Product Compliance:**

ASME A112.18.1 / CSA B125.1  
 NSF 61 - Section 9  
 NSF 372 (Low Lead Content)  
 ANSI A117.1 (ADA)



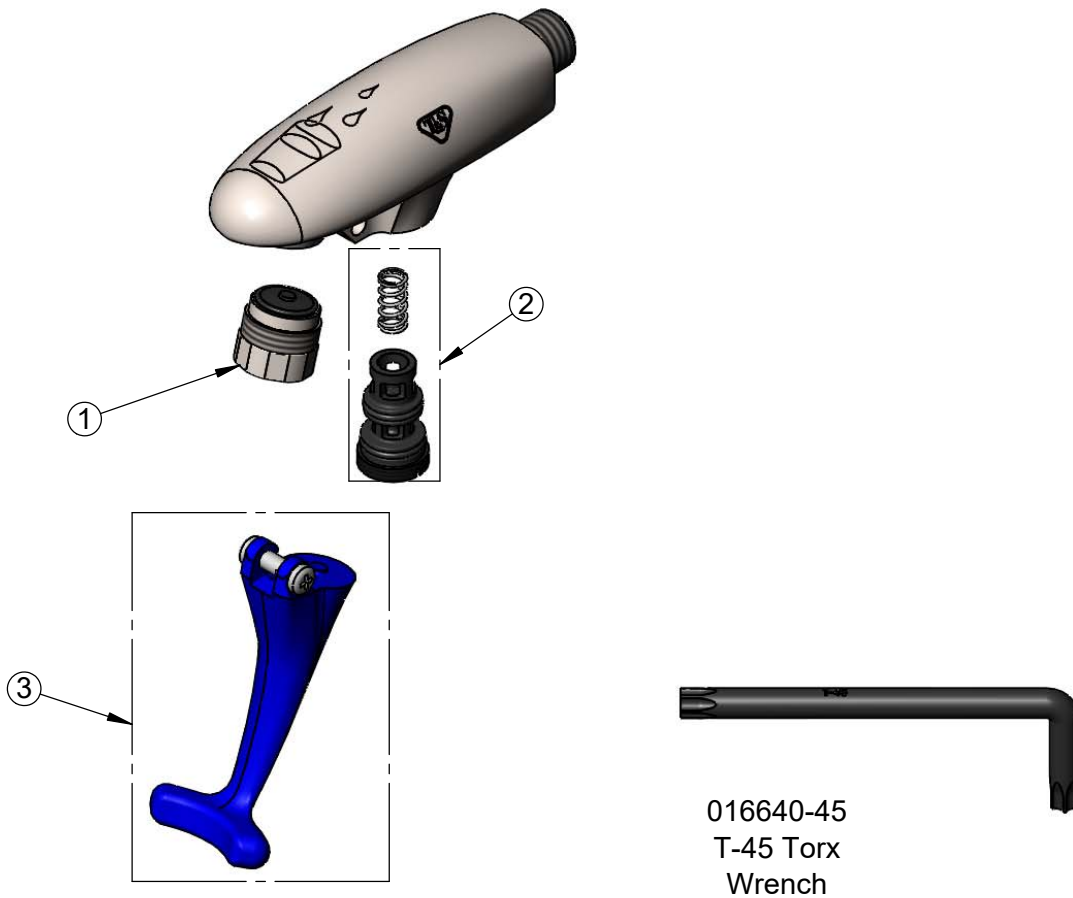
**T&S BRASS AND BRONZE WORKS, INC.**  
 2 Saddleback Cove / P.O. Box 1088  
 Travelers Rest, SC 29690

Model No.  
**S-1205**

Item No.

Travelers Rest, SC: 800-476-4103 • Simi Valley, CA: 800-423-0150 • Fax: 864-834-3518 • www.tsbrass.com

ITEM NO.	SALES NO.	DESCRIPTION
1	S015588-30	Adjustable SS Outlet w/ Torx Wrench
2	015589-40	Valve Repair Kit
3	015550-45	Lever Arm Repair Kit



016640-45  
 T-45 Torx  
 Wrench

**Product Specifications:**

Wall Mount Stainless Steel Glass Filler, Push Back Design, Dark Blue Self-Closing Arm & 3/8" NPT Stainless Steel Male Inlet, Less Wall Flange

**Product Compliance:**

ASME A112.18.1 / CSA B125.1  
 NSF 61 - Section 9  
 NSF 372 (Low Lead Content)  
 ANSI A117.1 (ADA)