

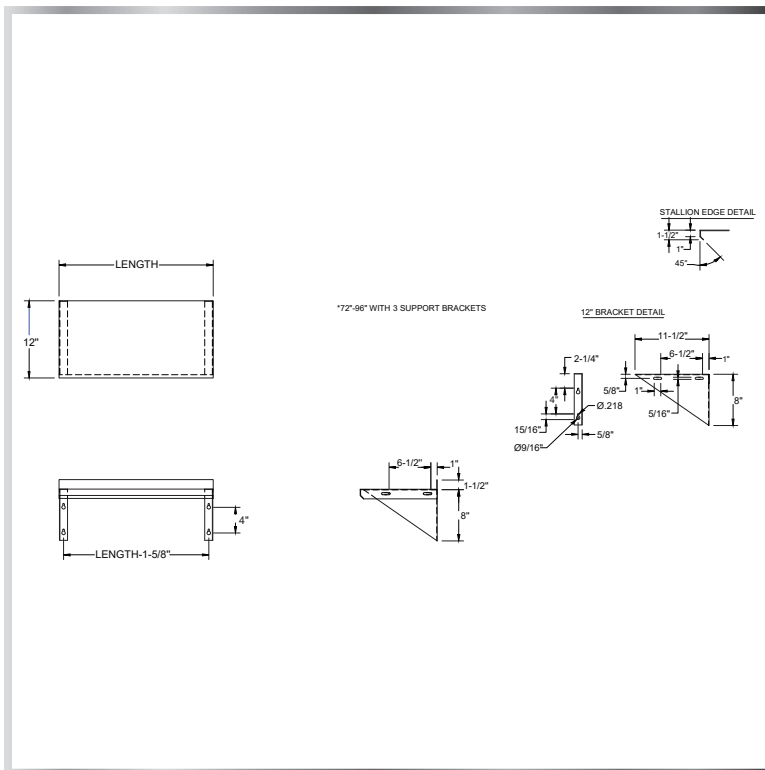
# PREMIUM WALL SHELF

SHELVING - WALL



## MATERIALS

- 18 Gauge 304 Series Stainless Steel



## FEATURES

- 1-1/2" Backsplash
- Straight Safety Edge Front
- Includes Support Brackets and Mounting Kit (\* 3 Brackets For Lengths 72" and Above)

MODEL NUMBER	LENGTH	WIDTH
WS-1224	24"	12"
WS-1230	30"	12"
WS-1236	36"	12"
WS-1248	48"	12"
WS-1260	60"	12"
WS-1272*	72"	12"
WS-1284*	84"	12"
WS-1296*	96"	12"

MODEL NUMBER	LENGTH	WIDTH
WS-1624	24"	16"
WS-1630	30"	16"
WS-1636	36"	16"
WS-1648	48"	16"
WS-1660	60"	16"
WS-1672*	72"	16"
WS-1684*	84"	16"
WS-1696*	96"	16"

(609) 642 - 8389 | SALES@NBREQUIPMENT.COM | WWW.NBREQUIPMENT.COM

NBR EQUIPMENT, 10 ABEEL ROAD, CRANBURY, NJ 08512