



STAINLESS STEEL COUNTERTOPS



FEATURES:

VCTC Series - Flat Top

Furnished with 1 1/2" x 1" square die embossed NO-DRIP countertop edge with a 1/2" return on 4 sides.

VCTF Series - 5" Backsplash

Furnished with 1 1/2" x 1" square die embossed NO-DRIP countertop edge with a 1/2" return on 3 sides and a 5" backsplash with a 1" return.

VKCT Series - 10" Backsplash

Furnished with 1 1/2" x 1" square die embossed NO-DRIP countertop edge with a 1/2" return on 3 sides and a 10" backsplash with a 2" return.

CONSTRUCTION:

All TIG welded. Exposed weld areas polished to match adjacent surfaces.

Entire top mechanically polished to a satin finish. Countertop edge polished to a MIRROR finish.

Top is sound deadened.

Roll formed embossed galvanized hat channels are secured to top by means of structural adhesive and weld studs.

Engineered and readily adaptable for installation on standard kitchen cabinets.

MATERIAL:

16 gauge stainless steel type "304" series.

Item #: _____ Qty #: _____

Model #: _____

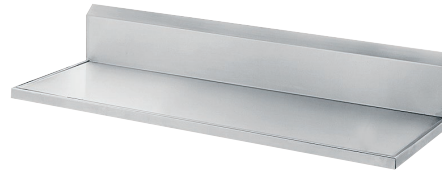
Project #: _____



FLAT TOP VCTC Series



5" BACKSPLASH VCTF Series



10" BACKSPLASH VKCT Series

HOW TO ORDER

- FIRST:** Select a Countertop Size.
SECOND: Select a Countertop Style: FLAT TOP, 5" BACKSPLASH or 10" BACKSPLASH
THIRD: Decide which optional features make your countertop complete:
 • Integral Welded Sinks • Duplex Outlets • Side Splashes • Cut-Outs

**PLEASE NOTE: Support Channels are FLUSH with bottom edge of countertop.
 Please factor when installing to Base Cabinets.**

W x L	Flat Top	Approx. Wt.	5" Backsplash	Approx. Wt.	10" Backsplash	Approx. Wt.
25" x 30"	VCTC-240	35 lbs.	VCTF-240	37 lbs.	VKCT-240	39 lbs.
25" x 36"	VCTC-243	39 lbs.	VCTF-243	41 lbs.	VKCT-243	47 lbs.
25" x 48"	VCTC-244	49 lbs.	VCTF-244	49 lbs.	VKCT-244	59 lbs.
25" x 60"	VCTC-245	58 lbs.	VCTF-245	61 lbs.	VKCT-245	72 lbs.
25" x 72"	VCTC-246	68 lbs.	VCTF-246	72 lbs.	VKCT-246	81 lbs.
25" x 84"	VCTC-247	85 lbs.	VCTF-247	89 lbs.	VKCT-247	98 lbs.
25" x 96"	VCTC-248	95 lbs.	VCTF-248	100 lbs.	VKCT-248	111 lbs.
25" x 120"	VCTC-2410	115 lbs.	VCTF-2410	120 lbs.	VKCT-2410	142 lbs.
30" x 30"	VCTC-300	38 lbs.	VCTF-300	41 lbs.	VKCT-300	46 lbs.
30" x 36"	VCTC-303	45 lbs.	VCTF-303	48 lbs.	VKCT-303	54 lbs.
30" x 48"	VCTC-304	57 lbs.	VCTF-304	60 lbs.	VKCT-304	66 lbs.
30" x 60"	VCTC-305	69 lbs.	VCTF-305	73 lbs.	VKCT-305	79 lbs.
30" x 72"	VCTC-306	76 lbs.	VCTF-306	80 lbs.	VKCT-306	88 lbs.
30" x 84"	VCTC-307	95 lbs.	VCTF-307	100 lbs.	VKCT-307	105 lbs.
30" x 96"	VCTC-308	107 lbs.	VCTF-308	112 lbs.	VKCT-308	118 lbs.
30" x 120"	VCTC-3010	132 lbs.	VCTF-3010	145 lbs.	VKCT-3010	160 lbs.

*** For Special Sizes, Consult Factory ***



Customer Service Available To Assist You 1-800-645-3166 8:30 am - 7:00 pm E.S.T.

For Orders & Customer Service:

Email: customer@advancetabco.com or Fax: 631-242-6900

For Smart Fabrication™ Quotes:

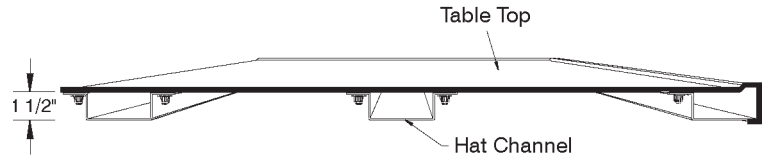
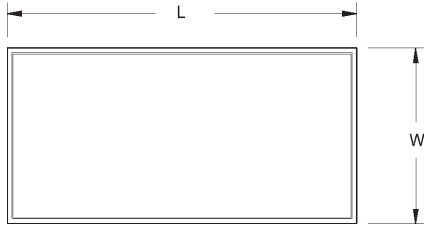
Email: smartfab@advancetabco.com or Fax: 631-586-2933

DETAILS and SPECIFICATIONS

TOL ± .500"

ALL DIMENSIONS ARE TYPICAL

STAINLESS STEEL COUNTERTOPS



Optional Welded Sinks Into Countertop



Includes Lead Free Compliant Faucet & K-6 Basket Drain(s)

Flat Top, 1", 1-1/2" & 5 Backsplash Include Deck Mount Faucet

- **Single Sink Bowl** provided with K-50 Swing Spout Faucet
- **Double Sink Bowls** provided with K-53 Swing Spout Faucet

10" Backsplash Include Splash Mount Faucet

- **Single & Double Sink Bowls** provided with K-1 Swing Spout Faucet

Splash Mount Faucet Available On 5" Backsplash

Conforms To NSF 61/9 Lead Free Requirements



Flat Top
w/ K-50
Deck Mount
Faucet Shown



10" Backsplash
w/ K-1
Splash Mount
Faucet Shown

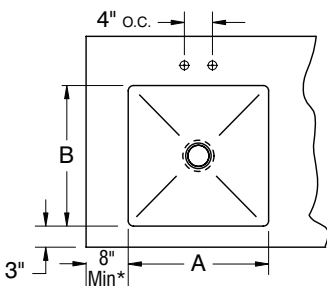
Single Bowl	Double Bowl	Size
Model#	Model#	A B
TA-11A**	TA-11A-2**	16" x 20" x 8"
TA-11B**	TA-11B-2**	16" x 20" x 12"
TA-11C	TA-11C-2	20" x 20" x 8"
TA-11D*	TA-11D-2*	20" x 20" x 12"
TA-11E*	TA-11E-2*	24" x 24" x 14"
TA-11F	TA-11F-2†	10" x 14" x 10"
TA-11J	TA-11J-2	14" x 16" x 12"
TA-11L	TA-11L-2	18" x 24" x 14"
TA-11N	TA-11N-2	18" x 18" x 14"
TA-11P	TA-11P-2	20" x 24" x 14"
TA-11Q	TA-11Q-2	10" x 14" x 5"
TA-11R*	TA-11R-2*	24" x 36" x 14"
TA-11S*	TA-11S-2*	20" x 30" x 14"
TA-11T*	TA-11T-2*	24" x 30" x 14"

* Only Installed In countertops 30" Wide or Wider

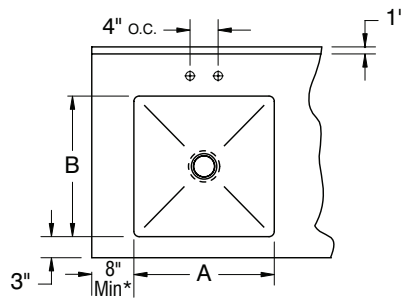
** Bowls Are Turned In 25" Wide countertops

† K-50 Swing Spout Faucet (Double Bowl)

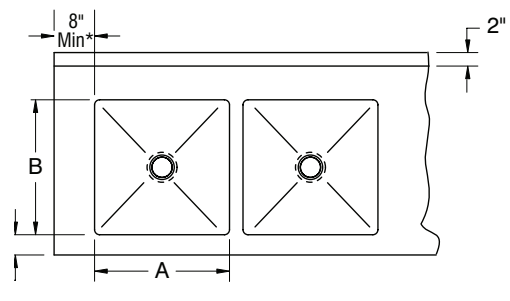
FLAT TOP, 1" or 1-1/2" REAR SPLASH



5" REAR SPLASH with 1" RETURN



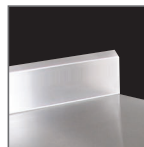
10" REAR SPLASH with 2" RETURN



Optional Accessories	Model #
Side Splash 5"	TA-31
Side Splash 10"	TA-32
Cut-Outs	TA-34
Poly Cutting Boards	TA-41
Special Sizing Charge	TA-61
G.F.I. Duplex Outlet w/Doghouse	TA-62D



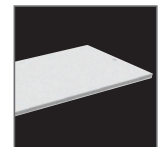
TA-31



TA-32



TA-62D



TA-41

For more options, visit us on the web at
www.advancetabco.com or call us at 1-800-645-3166.

WARNING: Equipment that include faucets on this page may contain a chemical known to the State of California to cause cancer, birth defects or other reproductive harm.

