



UR27B-LP

Undercounter 27" Refrigerator- Low Profile




UR27B-LP
08/03/23
Item # 13579

Item #: _____
 Project: _____
 Qty: _____
 AIA#: _____

W x D x H
27" x 30" x 31.9"*
*with 2.25" casters



Features

- ▶ Engineered to maintain NSF-7 temperatures in 100°F ambient.
- ▶ Stainless steel exterior front, sides and top with stainless steel interior sides, back, and floor
- ▶ Meets ADA requirements 
- Environmentally friendly R290 hydrocarbon refrigerant
- Cabinet and door are insulated with 2" of CFC free, foamed in place polyurethane
- Innovative air distribution system distributes air evenly to maintain product temperature
- Exclusive "stepped" door design to protect door gasket
- Spring assisted self-closing door with stay open feature
- Extruded aluminum flush mount door handle
- Field reversible door
- Front breathing air flow design
- Magnetic door gasket is easily removable for cleaning
- Hot gas condensate removal
- E-coated evaporator coil
- Anodized aluminum shelf supports adjustable in 1/2" increments
- Standard with 2.25" casters (two with brakes)
- 10 ft. cord and plug



Dimensions / Capacity

| | One-Section UR27B-LP |
|---|----------------------|
| Interior Storage Capacity (CF) | 7.21 ft ³ |
| Interior Storage Capacity (CF) (AHAM) | 6.21 ft ³ |
| Overall Width x Depth (including 1" bumper) | 27" x 31" |
| Height (including 2.25" casters) | 31.9" |
| Door Opening Width x Height | 22.75" x 23" |
| Depth with Door Open at 90° (including 1" bumper) | 55.5" |
| Adjustable Shelves | 1 |
| Shelf Dimensions (W x D) | 22" x 16" |
| Crated Shipping Weight | 173 lbs. |
| Crated Length x Width x Height | 34" x 31.5" x 35.5" |

Electrical / Refrigeration

| | One-Section UR27B-LP |
|--------------------------------------|----------------------|
| Voltage | 115/60/1 |
| HACR Breaker | 15.0 Amps |
| Electrical Connection (NEMA) | 5-15P Ⓢ |
| Voltage Range | 104-126 |
| Ambient Temp. Range | 45° to 100°F |
| Control Setpoint Range | 32° to 52°F |
| Amperage | 2.7 |
| Energy Consumption (kWh/day) @ASHRAE | 0.651 |
| Heat Rejection (BTU/Hr.) @NSF | 193 |
| Approx. Nominal Compres. BTU/HR (HP) | 988(1/6HP) |
| Refrigerant / Charge Amount (oz) | R290 (1.9 oz) |

Options

- 4" casters
- 6" casters
- Additional epoxy shelves
- Stainless steel shelves
- Overshelves
- Foot pedals- Left hinge (HS-5378)
- Foot pedals- Right hinge (HS-5379)
- Lower epoxy shelf (HS-5161)
- Lower stainless steel shelf (HS-5169)



Valid in United States, Canada, Puerto Rico and U.S. Territories. Contact factory for warranty in other countries.

If GFCI is required, a GFCI breaker MUST be used in lieu of GFCI receptacle

Hoshizaki reserves the right to change specifications without notice.



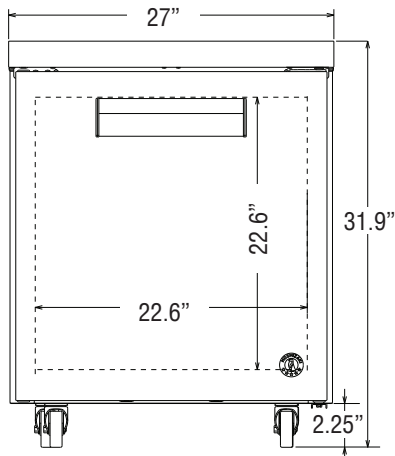
UR27B-LP

Undercounter 27" Refrigerator- Low Profile

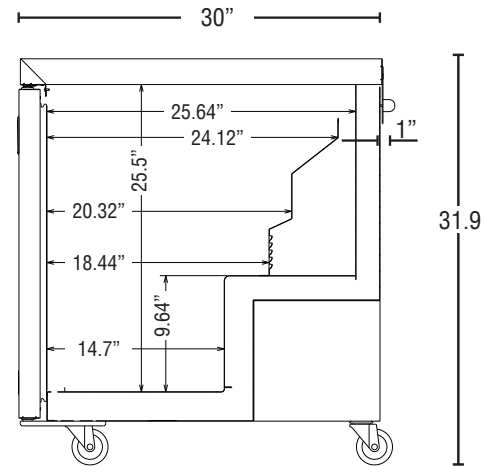


UR27B-LP
08/03/23
Item # 13579

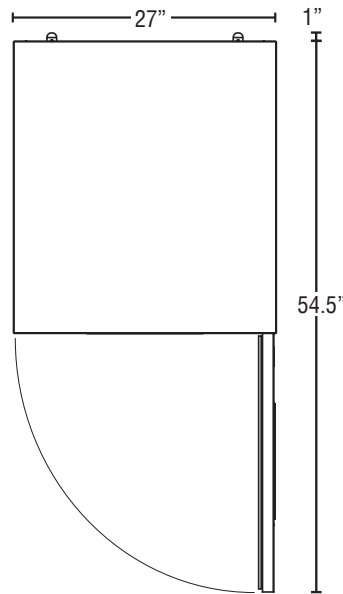
FRONT VIEW



SIDE VIEW



PLAN VIEW



Cabinet Construction

The exterior cabinet top, front, and sides, are constructed of high quality stainless steel. The exterior back and bottom are constructed of coated steel. The cabinet interior features stainless steel back, sides, and floor with an ABS top. One heavy duty epoxy coated shelf per section is standard. Mounted on anodized aluminum pilasters the shelves are adjustable in 1/2" increments. Cabinet walls are insulated with 2" CFC free, foamed in place polyurethane. 2.25" polyolefin, stem casters (two with brakes) are standard.

Door Construction

Doors are constructed of high grade stainless steel exterior with an ABS interior liner and are insulated with 2" CFC free, foamed in place polyurethane. Hoshizaki's exclusive "stepped" design protects the gasket while product is removed from the cabinet. Doors are provided with a one piece, extruded aluminum, flush mount handle. Spring assisted self-closing doors are equipped with a stay open feature past 90 degrees. Snap-in magnetic door gaskets are durable and easily removed for cleaning. Field reversible door hinging is standard.

Refrigeration System

The high efficiency refrigeration system is self-contained with an E-coated evaporator for extended life. Condensate removal is accomplished with an energy efficient non-electric evaporation system. A capillary tube controls the flow of environmentally friendly R290 refrigerant through the evaporator. Refrigeration system utilizes an "off cycle" defrost to eliminate any ice on the evaporator coil. 115 volt units are equipped with a ten foot cord and plug (20.0 amps or less).