

# COFFEE GRINDERS SEMI PROFESSIONAL



MADE IN ITALY



Models:

BB004NR0IL2 / BB005TM0IL2

## Standard Features

- Light duty
- 304 Stainless Steel Construction
- Micrometrical Grinding Setting
- Dosage obtained with On/Off Switch
- ABS Plastic Hopper

### BB005TM0IL2

- Dosage available by Timer



BB005TM0IL2

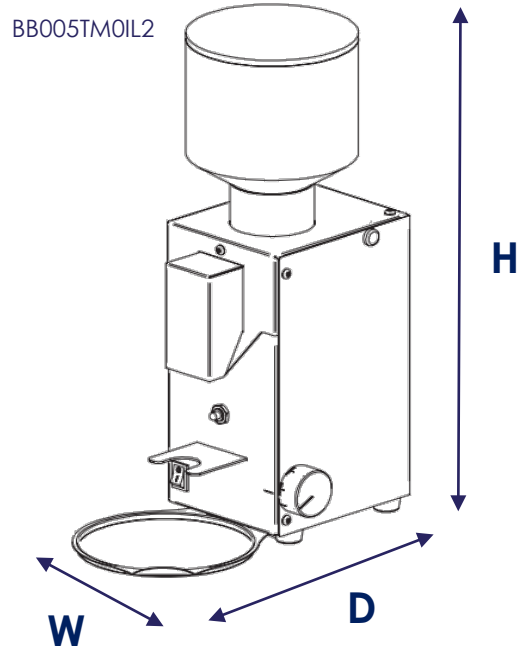
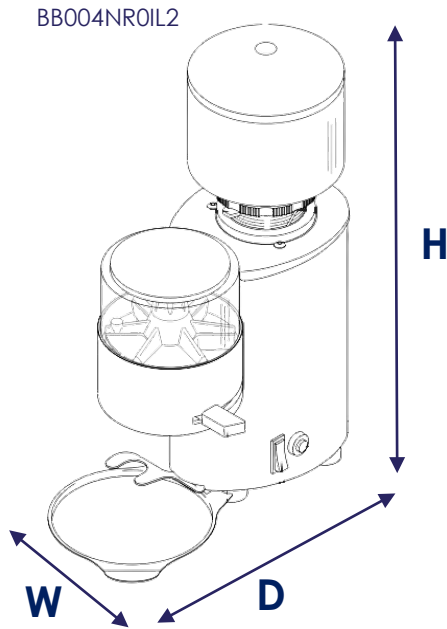


BB004NR0IL2

1-year Parts Only Warranty (US Only)

ampto.com

# COFFEE GRINDERS SEMI PROFESSIONAL



SPECIFICATIONS		
	BB004NR0IL2	BB005TM0IL2
RPM	1340	900
Flat Millstone	Ø 5" (Ø 127 mm)	Ø 1.9" (Ø 48.3 mm)
Doser	Yes	No
Timer	No	Yes
Grinding (lbs/hr)	7.7	
Hopper	0.5 lbs (220 g)	
Power Supply	110V/60Hz/1ph	
Amps	1	
Plug / Connection	NEMA 5-15P	
Product Dimensions WxDxH	5.9" x 9.8" x 13.9"	5.1" x 10.2" x 15.7"
Weight (lbs)	15	12



Notes:

- Properly clean and dry after daily use to ensure best performance and equipment longevity.



Nema 5-15 125 VAC  
2 Pole, 3 Wire  
Grounding

\*AMPTO is continuously improving products. Specifications are subject to change without notice.\*