



Profit from the Eagle Advantage®

# Specification Sheet

## Short Form Specifications

Eagle Printer Shelf, model \_\_\_\_\_.  
Constructed of 16 gauge type 430 stainless steel. Available in standard or slanted design. Flat shelves feature square edge with return. Slanted shelves feature upturn edge.

Item No.:	_____
Project No.:	_____
S.I.S. No.:	_____

## Printer Shelves

### MODELS:

- MWS0710-PS
- MWS0710-SPS
- MWS0912-PS
- MWS0912-SPS



#MWS0912-PS



#MWS0912-SPS

(printers shown not included)

### Design and Construction Features

- Space-saver printer label shelf features heavy gauge stainless steel construction.
- Hole with black rubber grommet, located toward the rear of shelf for cords.
- Heavy gauge stainless steel polished to #4 finish.
- Four mounting holes\* provided.
- 7" and 9" (178 and 229mm) widths available.
- Available in standard or slanted design.
- Custom sizes available.

\* Wall mounting hardware not included.

### EAGLE GROUP

100 Industrial Boulevard, Clayton, DE 19938-8903 USA  
 Phone: 302-653-3000 • 800-441-8440 • Fax: 302-653-2065  
[www.eaglegrp.com](http://www.eaglegrp.com)  
[www.eaglegrpnews.com](http://www.eaglegrpnews.com)  
[www.eaglemhc.com](http://www.eaglemhc.com)

For custom configuration or fabrication needs, contact our **SpecFAB® Division**.  
 Phone: 302-653-3000 • Fax: 302-653-2065 • e-mail: [quotes@eaglegrp.com](mailto:quotes@eaglegrp.com)



EG02.17 Rev. 12/22

**Spec sheets available for viewing, printing or downloading from our online literature library at our websites**

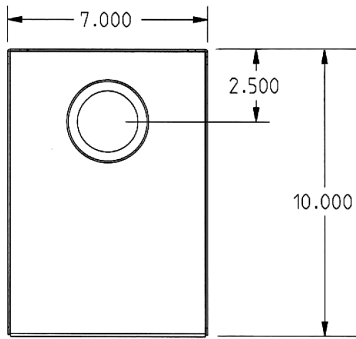
*Eagle Foodservice Equipment, Eagle MHC, and SpecFAB® are divisions of Eagle Group. ©2022 by the Eagle Group*



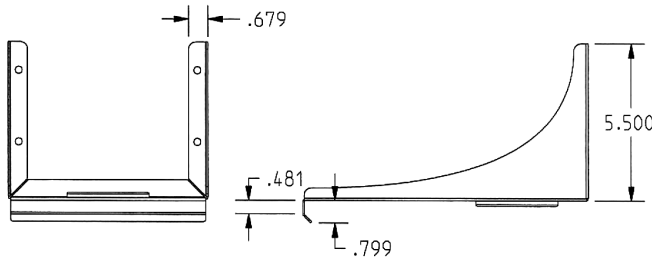
Item No.: \_\_\_\_\_  
 Project No.: \_\_\_\_\_  
 S.I.S. No.: \_\_\_\_\_

# Printer Shelves

## Models with standard design...



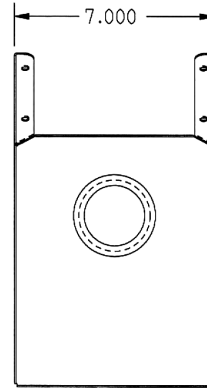
TOP VIEW



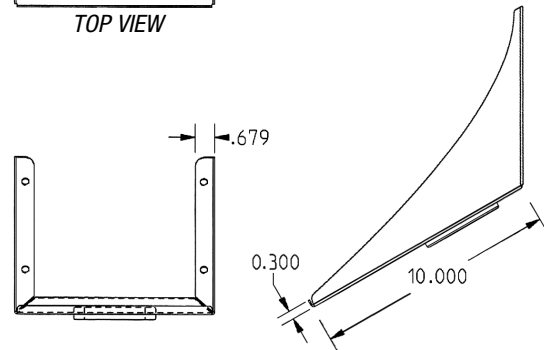
FRONT VIEW

SIDE VIEW

## ...or with slanted design



TOP VIEW



FRONT VIEW

SIDE VIEW

("MWS0710" units shown)

shelf width		shelf length		weight		with Standard Design	with Slanted Design
in.	mm	in.	mm	lbs.	kg	model #	model #
7"	177.8	10"	254.0	3	1.4	MWS0710-PS	MWS0710-SPS
9"	228.6	12"	304.8	4	1.8	MWS0912-PS	MWS0912-SPS

**EAGLE GROUP**  
 100 Industrial Boulevard, Clayton, DE 19938-8903 USA  
 Phone: 302-653-3000 or 800-441-8440 • Fax: 302-653-2065  
 www.eaglegrp.com • www.eaglegrpnews.com • www.eaglemh.com

Printed in U.S.A.  
 ©2022 by Eagle Group  
 Rev. 12/22

Spec sheets available for viewing, printing or downloading from our online literature library at our websites

Although every attempt has been made to ensure the accuracy of the information provided, we cannot be held responsible for typographical or printing errors. Information and specifications are subject to change without notice. Please confirm at time of order.