



**UNDERBAR PREP SINKS**  
*Top Shelf Series Prep Sinks*

**NSF**  
 C US  
 ASME A112.19.3/  
 CSA B45.4  
 NSF/ANSI 2



TSF8PS-BRT



TSF12PS-SR



TSF20PS-SBRT



TSF24PS-SBRT

JOB	
AREA	
ITEM NO.	
MODEL NO.	

MODELS	
TSF8PS-BRT	TSF12PS-SB
TSF12PS-SR	TSF14PS-SRT
TSF18PS-SBR	TSF20PS-SBRT
TSF24PS-SBRT	

**KEY PRODUCT FEATURES AND BENEFITS**

- A durable, 18-gauge sink bowl has a long life span and is dent resistant, even under heavy use
- A 1" thick, high-density cutting board is highly durable, warp resistant, and easy to remove for cleaning
- Our **NEW Perlick Quick Clamp** leg attachment has increased strength and features an easy, toolless installation
- Durable, all stainless construction is rust-resistant and long-lasting

**Quick Features:**

- Prep sinks offer a seamless front apron for added aesthetics and ease of cleaning
- Our versatile worktop allows the bartender to remove the cutting board and utilize the lower drainboard component for additional tool or glass storage space
- Glass racks are securely mounted, yet easily removable for ease of cleaning
- Our underbar equipment utilizes our Perlick Quick Clamp leg attachment for superior rigidity
- The rinser features a high performance spray pattern for quick, thorough rinsing
- With seven new models to choose from, you can be sure to find a model that fits your design and bartender needs

Form No. Z2382  
 Rev 09.26.22

MODEL NUMBERS - TSF8PS-BRT, TSF12PS-SB, TSF12PS-SR, TSF14PS-SRT, TSF18PS-SBR, TSF20PS-SBRT, TSF24PS-SBRT



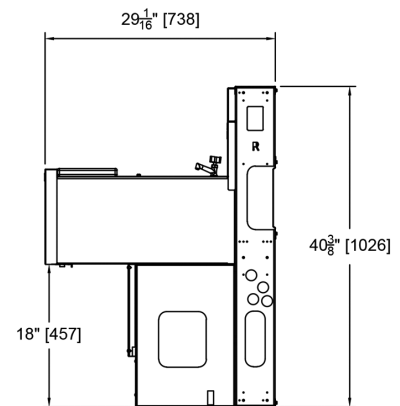
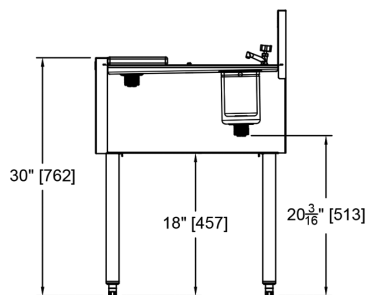
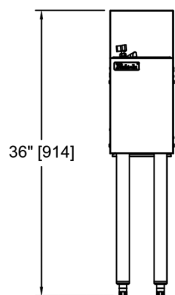
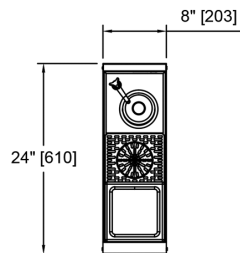
**UNDERBAR PREP SINKS**  
*Top Shelf Series Prep Sinks*

MODEL NUMBERS - TSF8PS-BRT, TSF12PS-SB, TSF12PS-SR, TSF14PS-SRT, TSF18PS-SBR, TSF20PS-SBRT, TSF24PS-SBRT

MODEL NOS.		TSF8PS-BRT	TSF12PS-SB	TSF12PS-SR	TSF14PS-SRT	TSF18PS-SBR	TSF20PS-SBRT	TSF24PS-SBRT	
<b>DIMENSIONS: EXTERIOR (mm)</b>	<b>Depth</b>	24" (609.6)	24" (609.6)	24" (609.6)	24" (609.6)	24" (609.6)	24" (609.6)	24" (609.6)	
	<b>Width</b>	8" (203.2)	12" (304.8)	12" (304.8)	14" (355.6)	18" (457.2)	20" (508)	24" (609.6)	
	<b>Weight lbs (kg)</b>	32 (14.5)	39 (17.7)	39 (17.7)	42 (19.1)	50 (22.7)	54 (24.5)	58 (26.3)	
<b>MATERIALS</b>	<b>Cutting board</b>	1" thick white PVC, includes drip groove, removes for easy cleaning							
	<b>Rinser</b>	4-3/8" Diameter heavy gauge stainless steel rack, NSF-listed stainless steel rinser							
	<b>Tool Well with Faucet</b>	5.5" OD Stainless steel tool well with removable basket. Chrome plated fine-stream faucet.							
	<b>Sink Bowl</b>	Stainless steel, all horizontal and vertical edges 1-1/2" radius with balled corners. Furnished with 1-1/2" drain socket.							
	<b>Legs</b>	1-5/8" Tubular, stainless steel with 1" adjustable thermoplastic foot							
<b>PLUMBING</b>	<b>Rinser *</b>	Drain pan: 1/2" ID brass drain tube with 1/2" NPSM thread and machined end to accept 1/2" ID tubing. Rinser: 1/2" NPSM thread with John Guest Connector for 3/8" ID flexible water line.							
	<b>Tool Well with Faucet</b>	1" NPS male, 1/2" IPS shank (includes 1/4" MPT tailpiece)							
	<b>Sink</b>	1-1/2" NPS male							
	<b>Faucet</b>	Hot and cold connection. 3/8" Compression 9/16-24 thread. Faucet includes 18" braided stainless leads.							
<b>OPTIONAL ACCESSORIES</b>	<b>Faucets</b>	NA	Wall mount gooseneck or wall mount swing spout						
	<b>Wet Waste Pan</b>	NA	7055-52	7055-52	7055-52	7055-48	7055-52	7055-52	
	<b>Aerator</b>	NA	0.5 GPM or 1.5 GPM, faucets come with 2.0 GPM aerator						
	<b>End Splash</b>	Left and right available							
	<b>Wrist Blades</b>	NA	Wrist blades can be ordered separately						
	<b>Leg Relocation Kit</b>	Perlick Flex Mount leg kit allows the rear legs to move forward giving you 7" of clearance behind the rear legs to the back of the equipment (see leg relocation installation guide)							

\* Rinser Note: Check local plumbing codes. Install in-line water regulator set to 15-20 psi (not Included).  
Install in-line shut off valve (not included) and turn off nightly.

**TSF8PS-BRT**



Faucet shown for clarity. Must be ordered separately.

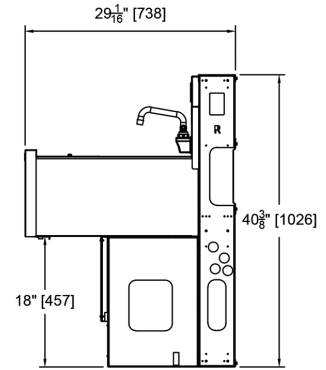
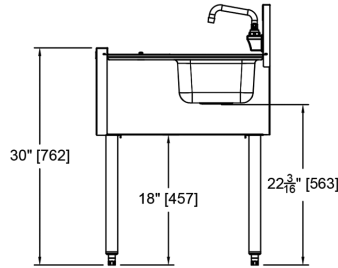
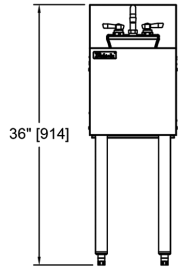
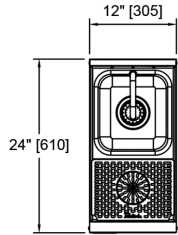
Form No. Z2382  
Rev 09.26.22



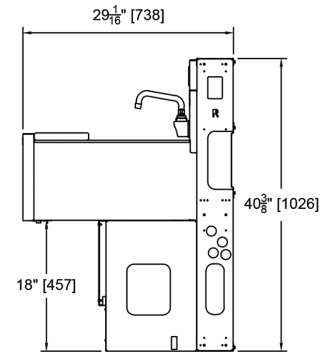
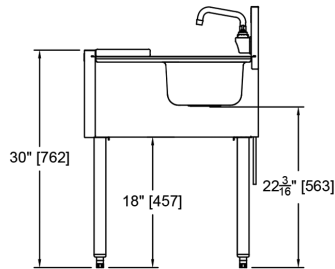
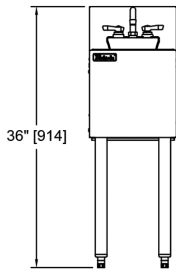
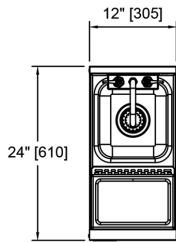
**UNDERBAR PREP SINKS**  
*Top Shelf Series Prep Sinks*

MODEL NUMBERS - TSF8PS-BRT, TSF12PS-SB, TSF12PS-SR, TSF14PS-SRT, TSF18PS-SBR, TSF20PS-SBRT, TSF24PS-SBRT

**TSF12PS-SR**



**TSF12PS-SB**



Faucet shown for clarity. Must be ordered separately.

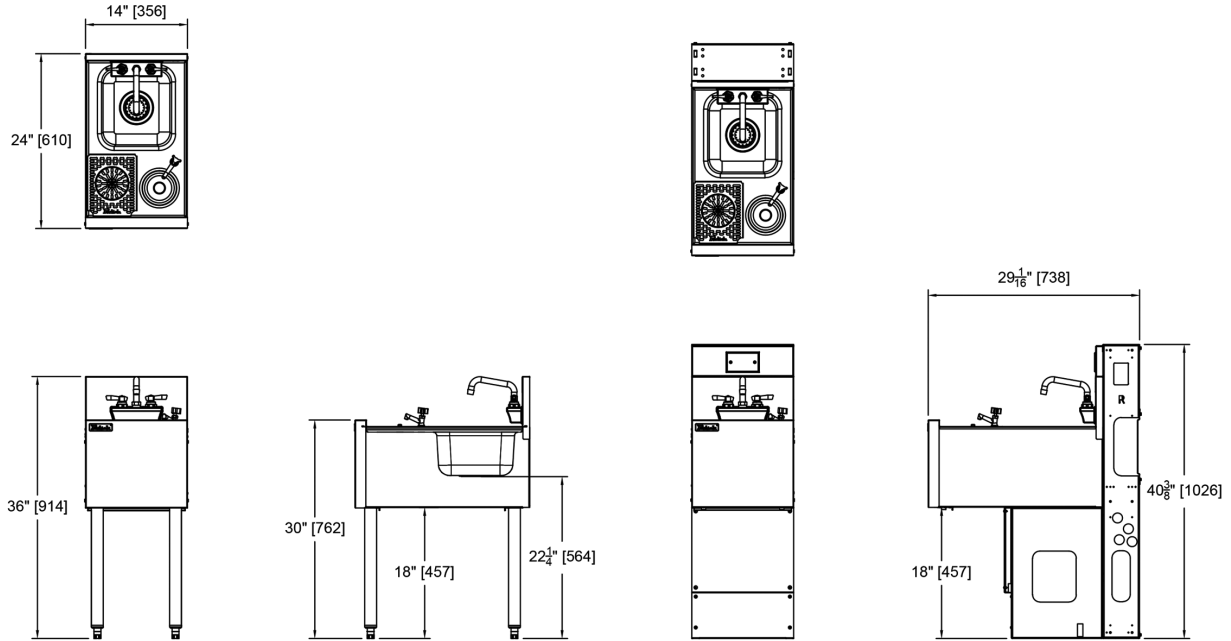
Form No. Z2382  
 Rev 09.26.22



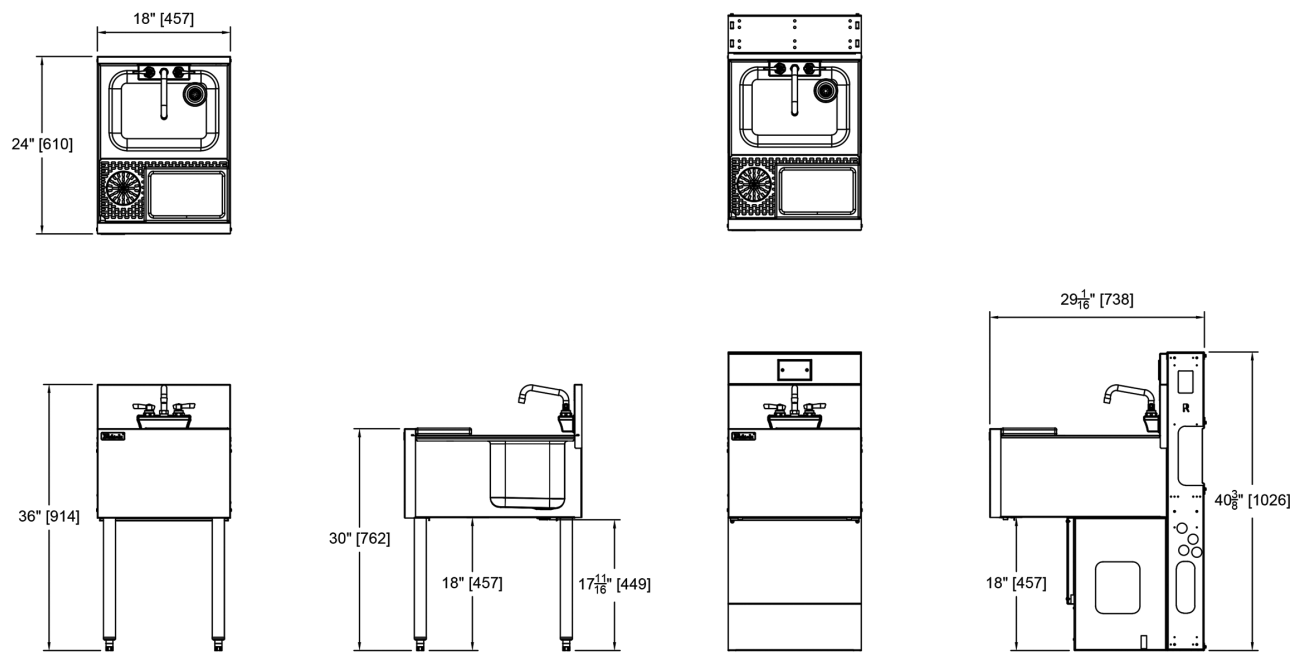
**UNDERBAR PREP SINKS**  
*Top Shelf Series Prep Sinks*

MODEL NUMBERS - TSF8PS-BRT, TSF12PS-SB, TSF12PS-SR, TSF14PS-SRT, TSF18PS-SBR, TSF20PS-SBRT, TSF24PS-SBRT

**TSF14PS-SRT**



**TSF18PS-SBR**



*Faucet shown for clarity. Must be ordered separately.*

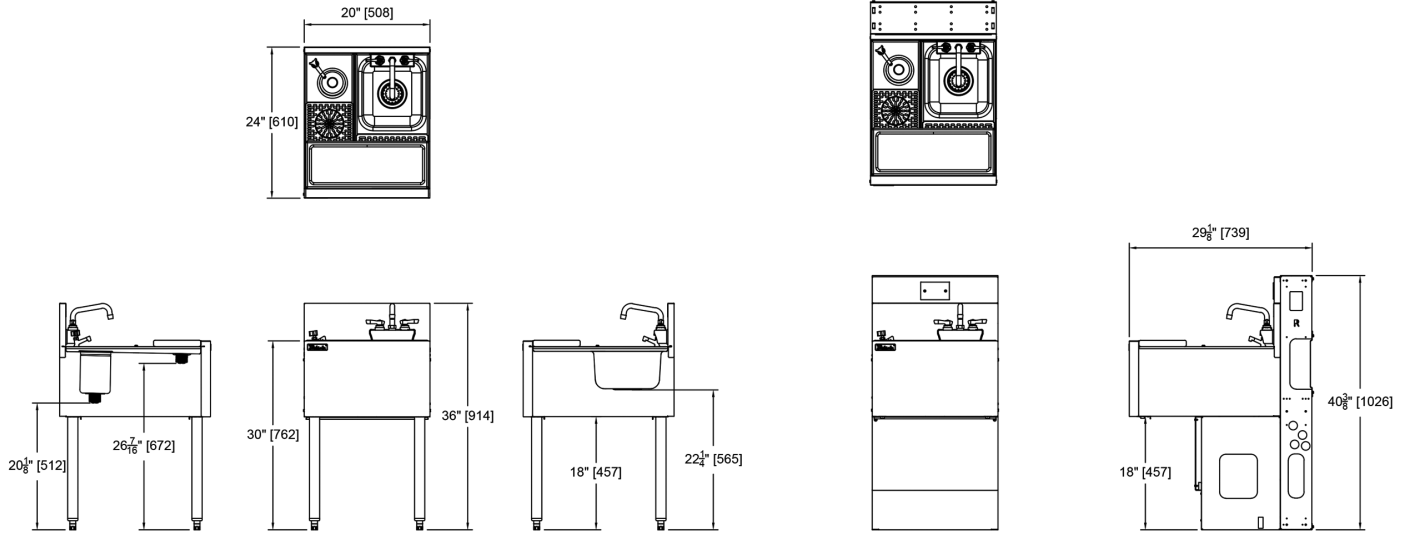
Form No. Z2382  
 Rev 09.26.22



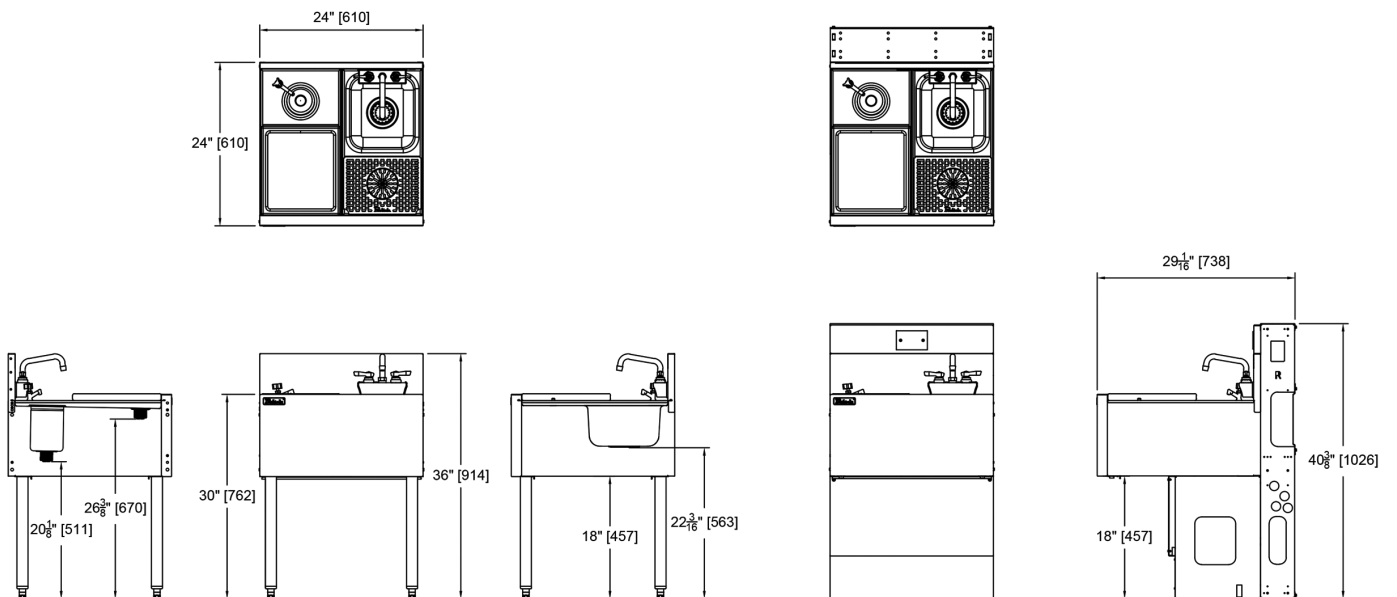
**UNDERBAR PREP SINKS**  
*Top Shelf Series Prep Sinks*

MODEL NUMBERS - TSF8PS-BRT, TSF12PS-SB, TSF12PS-SR, TSF14PS-SRT, TSF18PS-SBR, TSF20PS-SBRT, TSF24PS-SBRT

**TSF20PS-SBRT**



**TSF24PS-SBRT**



*Faucet shown for clarity. Must be ordered separately.*

Form No. Z2382  
 Rev 09.26.22