



T&S BRASS AND BRONZE WORKS, INC.
 2 Saddleback Cove / P.O. Box 1088
 Travelers Rest, SC 29690

Model No.

AG-7 Series

Item No.

Travelers Rest, SC: 800-476-4103 • Simi Valley, CA: 800-423-0150 • Fax: 864-834-3518 • www.tsbrass.com

This Space for Architect/Engineer Approval

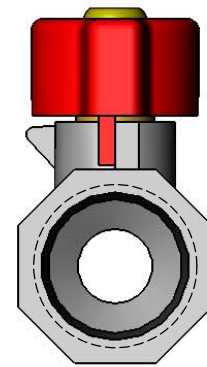
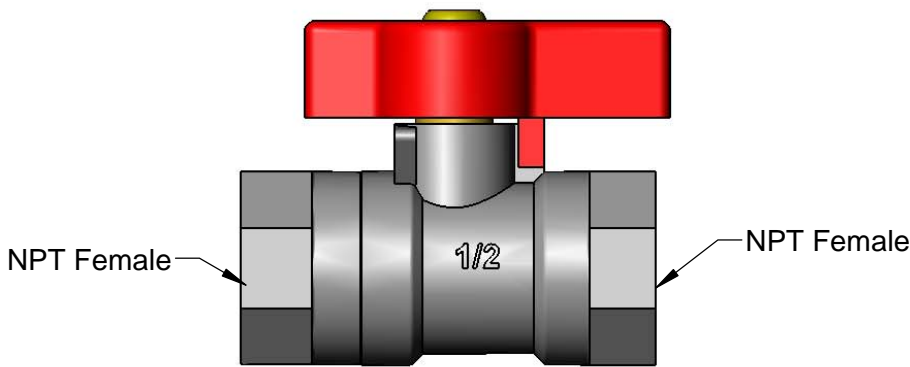
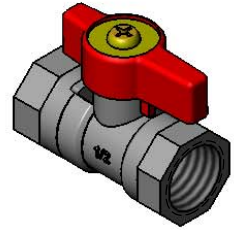
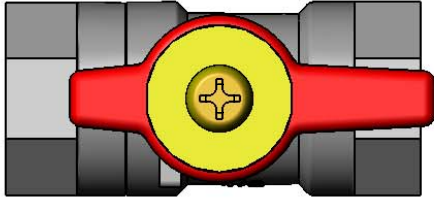
Job Name _____ Date _____

Model Specified _____ Quantity _____

Customer/Wholesaler _____

Contractor _____

Architect/Engineer _____



1/2" NPT	3/4" NPT	1" NPT	1 1/4" NPT
AG-7C	AG-7D	AG-7E	AG-7F

AG-5 Series Product Configurator: AG - 7

Ex: AG - 7 C

Gas Ball Valve, 1/2" NPT

Product Specifications:

Safe-T-Link Gas Appliance Connector:
 Gas Ball Valve, 1/2" NPT - 1 1/4" NPT

Product Compliance:

ANSI Z21.15a / CSA 9.1a (Gas Valves)
 NFPA 54