

- **CGS2830** 28-1/8"L x 25"D x 30-5/8"H
- **CGS3830** 38-1/8"L x 25"D x 30-5/8"H

Included

- Clear glass rear swinging doors w/o lock
- Designed for service or self-service applications
- Glass end
- LED 3500K top & shelf lights
- One year parts & labor warranty
- Shelving removable and adjustable on 1" centers



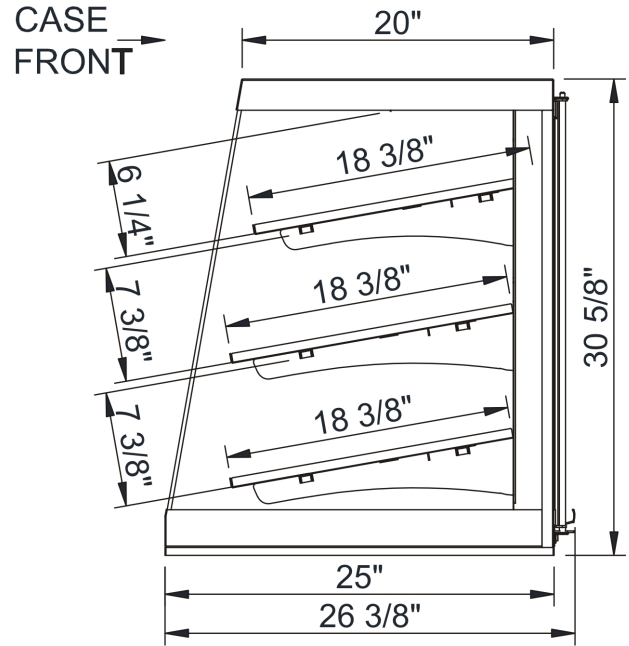
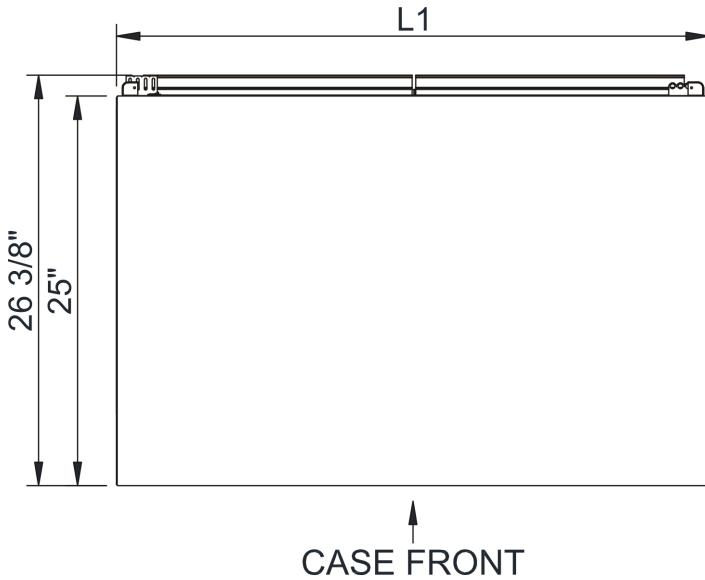
CGS3830

Specify	Standard Features	Additional Options
MODEL FINISH	• Powder coated Silversan Black	• Stainless steel
ELECTRICAL CONNECTION	• 6' Straight blade power cord	• Electrical leads (non-refrigerated)
MISCELLANEOUS		• Second year parts & labor warranty

Intended Environment: Type I - Designed to operate in ambient conditions of 75°F with 55% relative humidity unless noted otherwise in system information below.		
Zone	Intended Product To Be Displayed	Warmest Avg Prod Temp ° F
1	Packaged non-refrigerated products	Ambient

PLAN VIEW

SIDE VIEW



NOTE: ALL DIMENSIONS APPROXIMATE

- ELECTRICAL JUNCTION BOX (SUPPLIED WITH 6" LEADS OR POWER CORD).
- LOCATION OF DRAIN TUBE FOR REMOTE REF. ONLY (SUPPLIED WITH 3/4" OR 1 1/2" PVC TUBE).

- REFRIGERATION LINE CONNECTION.
- REMOTE FLOOR SINK & UTILITIES ACCESS AREA.

- SELF-CONTAINED CASE SERVICE ACCESS AREA.
- DRY CASE SERVICE ACCESS AREA.

Model Technical Specifications																	
Model	L"	L1"	L2"	System Circuit Volts			Phs	Freq	Amps ***	Watts	Wires	NEMA Plug	SST	Conv. Rack BTUH	Para. Rack BTUH	Est Wt	
CGS2830	N/A	28.13	.00	Ambient/Lights (N/A)			Circuit #1	110-120	1	60	0.40	51	2+G	5-15P	N/A	N/A	300
CGS3830	N/A	38.13	.00	Ambient/Lights (N/A)			Circuit #1	110-120	1	60	0.56	75	2+G	5-15P	N/A	N/A	350

*** Does not include electric defrost on freezer models.

Regulatory Approvals:	
All Models	ETL Listed to UL 65 ETL Sanitation to NSF/ANSI 2



Important Notes:

- 1) Electrical Note: If GFCI is required, a GFCI breaker Must be used in lieu of a GFCI receptacle.
- ⚠ WARNING:** This product can expose you to chemicals, including Urethane (Ethyl Carbamate), which are known to the State of California to cause cancer and birth defects or other reproductive harm. For more information go to www.P65Warnings.ca.gov.