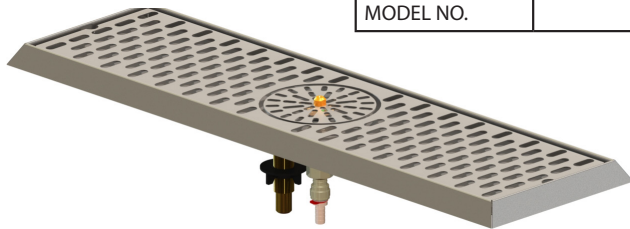




**DRIP PANS WITH GLASS RINSER (ON CENTER AND ON END)**

JOB	
AREA	
ITEM NO.	
MODEL NO.	



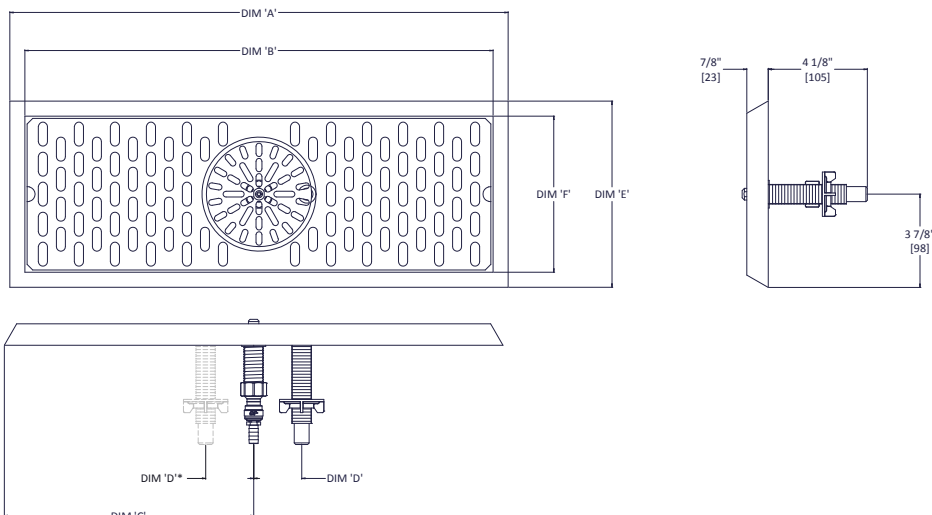
No. C18650A-GRC

GLASS RINSER ON CENTER	GLASS RINSER ON END
C18640A-GRC	C18640A-GRE
C18645A-GRC	C18645A-GRE
C18650A-GRC	C18650A-GRE
C18655-GRC	C18657-GRE
C18658-GRC	C18663-GRE
C18660-GRC	
C18665-GRC	
C18670-GRC	
C18675-GRC	

Model Nos.	Overall Length 'A' (mm)	Drip Pan Length 'B' (mm)	Rinsler, from end 'C' (mm)	Drain Tube, from center 'D' (mm)	Overall Width 'E' (mm)	Drip Pan Width 'F' (mm)	Number of Drain Tubes	Mounting Hole (mm)
<b>Glass Rinsler On Center</b>								
C18640A-GRC	14-3/16" [360]	12-15/16" [329]	7-3/32" [182]	2" [51]	7-3/4" [197]	6-1/2" [165]	1	7/8" diameter [23]
C18645A-GRC	20-3/4" [527]	19-1/2" [496]	10-3/8" [264]	2" [51]	7-3/4" [197]	6-1/2" [165]	1	7/8" diameter [23]
C18650A-GRC	26-3/4" [679]	25-1/2" [648]	13-3/8" [340]	2" [51]	7-3/4" [197]	6-1/2" [165]	1	7/8" diameter [23]
C18655-GRC	33" [838]	31-3/4" [807]	16-1/2" [420]	2-3/4" [70]	7-3/4" [197]	6-1/2" [165]	1	7/8" diameter [23]
C18658-GRC	39" [991]	37-3/4" [959]	19-1/2" [496]	3-5/8" [92]	7-3/4" [197]	6-1/2" [165]	1	7/8" diameter [23]
C18660-GRC	46-9/16" [1183]	45-5/16" [1151]	23-9/32" [592]	3-3/4" [96]	7-3/4" [197]	6-1/2" [165]	1	7/8" diameter [23]
C18665-GRC	59-3/4" [1518]	58-1/2" [1486]	29-7/8" [759]	15" [381]	7-3/4" [197]	6-1/2" [165]	2	7/8" diameter [23]
C18670-GRC	66" [1677]	64-3/4" [1645]	33" [839]	15" [381]	7-3/4" [197]	6-1/2" [165]	2	7/8" diameter [23]
C18675-GRC	72" [1829]	70-3/4" [1797]	36" [915]	18" [458]	7-3/4" [197]	6-1/2" [165]	2	7/8" diameter [23]

<b>Material, Drip Pan and Glass Rack</b>	Stainless Steel
<b>Material, Glass Rinsler</b>	4-3/8" Diameter Heavy Gauge Stainless Steel Glass Rack, NSF Listed Stainless Steel Rinsler
<b>Plumbing, Drip Pan</b>	1/2" I.D. Brass Drain Tube with 1/2" NPSM Thread and Machined End to accept 1/2" I.D. flexible drain tube.
<b>Plumbing, Glass Rinsler</b>	1/2" NPSM Thread with included John Guest Connector for 3/8" I.D. flexible water line.
<b>Rinsler Installation Notes</b>	Check local plumbing codes. Install in-line water regulator set to 15 - 20 psi (not included). Install in-line shut-off valve (not included) and turn off nightly.

**Glass Rinsler On Center**



Form No. Z2429  
Rev. 06.20.2016

**Perlick® DRIP PANS WITH GLASS RINSER (ON CENTER AND ON END)**



No. C18650A-GRE

Model Nos.	Overall Length 'A' (mm)	Drip Pan Length 'B' (mm)	Rinser, from end 'C' (mm)	Drain Tube, from rinser 'D' (mm)	Overall Width 'E' (mm)	Drip Pan Width 'F' (mm)	Number of Drain Tubes	Mounting Hole (mm)
<b>Glass Rinser On End</b>								
C18640A-GRE	14-3/16" [360]	12-15/16" [329]	4-3/32" [104]	3" [77]	7-3/4" [197]	6-1/2" [165]	1	7/8" diameter [23]
C18645A-GRE	20-3/4" [527]	19-1/2" [496]	4-3/8" [112]	6" [153]	7-3/4" [197]	6-1/2" [165]	1	7/8" diameter [23]
C18650A-GRE	26-3/4" [679]	25-1/2" [648]	4-3/8" [112]	9" [229]	7-3/4" [197]	6-1/2" [165]	1	7/8" diameter [23]
C18657-GRE	36" [915]	34-3/4" [883]	4-13/16" [123]	13-3/16" [335]	7-3/4" [197]	6-1/2" [165]	1	7/8" diameter [23]
C18663-GRE	52-7/16" [1332]	26-7/32" [666]	4-21/32" [119]	21-9/16" [548]	7-3/4" [197]	6-1/2" [165]	1	7/8" diameter [23]
<b>Material, Drip Pan and Glass Rack</b>	Stainless Steel							
<b>Material, Glass Rinser</b>	4-3/8" Diameter Heavy Gauge Stainless Steel Glass Rack, NSF Listed Stainless Steel Rinser							
<b>Plumbing, Drip Pan</b>	1/2" I.D. Brass Drain Tube with 1/2" NPSM Thread and Machined End to accept 1/2" I.D. flexible drain tube							
<b>Plumbing, Glass Rinser</b>	1/2" NPSM Thread with included John Guest Connector for 3/8" I.D. flexible water line.							
<b>Rinser Installation Notes</b>	Check local plumbing codes. Install in-line water regulator set to 15 - 20 psi (not included). Install in-line shut-off valve (not included) and turn off nightly.							

**Glass Rinser On End**

