

Specification/Data sheet

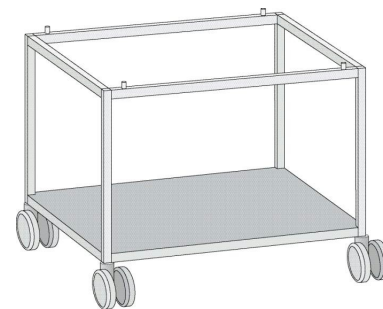
Stand UG 1 type 61/101 - Mobile



Article number: 60.30.321

Description

- Mobile stand
- With intermediate bottom, open to all sides
- Weight 12 kg
- 843(33-1/4) mm(inch)W x 691(27-1/4) mm(inch)D x 675(26-5/8) mm(inch)H



Difference to standard

- 4 Tandem steering casters (2 with brake - metal parts CNS)
- metal parts of the Tandem steering casters are made of CNS

Hint

- To be delivered with fastening kit for mounting the unit on stand
- NSF proved
- Units 61/101 with mobile stand are UL approved

