

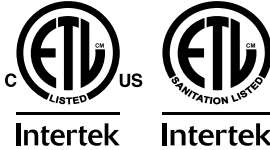
Glastender®

A family company manufacturing in the USA

www.glastender.com



CP1FL60
stainless steel doors, and top



4004503
Conforms to NSF/ANSI STD 7 and UL STD 471
Certified to CSA STD C22.2 No. 120
Listed to NSF Standard 7 for open food as a
storage refrigerator

Standard Features

- Self-contained
- Locking door(s)
- LED interior lighting
- Heated mullion to minimize condensation
- Evaporator above compressor compartment to maximize storage capacity
- Two adjustable, coated-wire shelves per door section

| | |
|--------------------------|------------|
| Project: _____ | AIA# _____ |
| Item #: _____ Qty: _____ | SIS# _____ |
| Model #: _____ | |

| | |
|--|---|
| Coolers, Pass-Thru, One Zone, Front Serviced, Low Profile | |
| CP1FL | CP1FL32, CP1FL36, CP1FL52, CP1FL60, CP1FL72, CP1FL84 |

CONFIGURATION HIGHLIGHT



Configurable Options

Temperature:

- Beer/Food - 34°F to 40°F
- White wine - 50°F to 55°F
- Red wine - 60°F to 65°F

Refrigeration Compartment

Location:

- Left or Right

Refrigeration Compartment

Cover Finish:

- Black vinyl-clad
- Stainless steel
- Jeweled stainless
- Laminated
- Unlaminated

Door Style & Finish (specify per door section):

- Black vinyl-clad
- Stainless steel
- Jeweled stainless
- Laminated
- Unlaminated
- Glass, black vinyl-clad
- Glass, stainless steel
- Glass, jeweled stainless
- Glass, laminated

Door Hinge Location (specify for each door):

- Left or Right

Door Handle:

- Signature
- Pull-tab
- Tube

Top Style:

- No finished top
- Stainless top

Left and Right Side Finish:

- Black vinyl-clad
- Stainless steel

LED Lighting Style:

- Bright white (7,000k)
- Warm white (3,500k)
- Amber (2,700k)
- Blue

Glastender, Inc. • 5400 N Michigan Rd • Saginaw, MI • 48604-9780
989.752.4275 • 800.748.0423 • Fax 989.752.4444
www.glastender.com

Approval/Notes:

Specifications subject to change without notice. For current specifications please visit our website.

Coolers - Pass-Thru, One Zone, Front Serviced, Low Profile

Specifications

| | | CP1FL32 | CP1FL36 | CP1FL52 | CP1FL60 | CP1FL72 | CP1FL84 |
|-------------------------|--------------------|---|-----------|-----------|-----------|---|-----------|
| Dimensions | Length | 32" | 36" | 52" | 60" | 72" | 84" |
| | Number of Sections | 1 | 1 | 2 | 2 | 3 | 3 |
| | Door Opening | 16" | 20" | 16" | 20" | 16" | 20" |
| Electrical | Electrical Supply | 120V, 1 phase, 60 Hz, Dedicated 15 amp circuit is required | | | | | |
| | Full Load Amps | 3.5 | 3.5 | 3.5 | 3.5 | 7.0 | 7.0 |
| | Plug Type | 8 foot NEMA 5-15P grounded cord and plug which exits the back of refrigeration compartment* | | | | | |
| Refrigeration | Refrigerant | R290 - 125 grams, 3.88 oz., 0.24 pounds | | | | | |
| | Compressor | Reciprocating, 1/6 HP, 1300 BTUH, 0.11 Tons | | | | Reciprocating, 1/4 HP, 2200 BTUH, 0.18 Tons | |
| | Heat Rejection | 1430 BTUH | 1430 BTUH | 1430 BTUH | 1430 BTUH | 2867 BTUH | 2867 BTUH |
| Operating Range | | 34°F (1°C) to 65°F (18°C) | | | | | |
| Plumbing | | Automatic condensate evaporator; no drain connection required † | | | | | |
| Weight Bearing Capacity | | Countertops and other accessories should not exceed 200 pounds per door | | | | | |

Materials

- Stainless steel parts include: exterior sub-top, interior, front of cabinet, hinges, hinge and lock brackets, and optional legs
- Black vinyl-clad steel parts include: standard sides, doors and compressor cover
- Galvanized steel parts include: back and bottom
- Zinc plated CR steel parts include: leg sockets



† Building conditions outside the guidelines of ASHRAE 55 and ASHRE 62.1 may need to be plumbed to a drain.

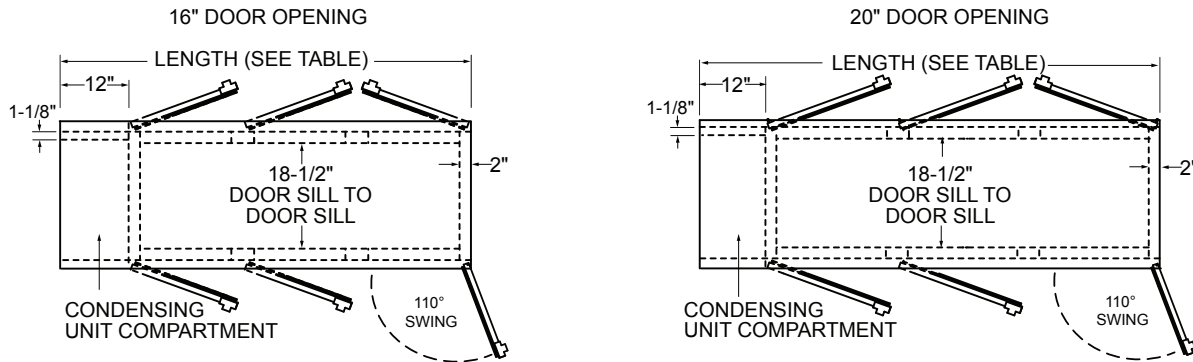
Capacities

| | CP1FL32 | CP1FL36 | CP1FL52 | CP1FL60 | CP1FL72 | CP1FL84 |
|-----------------------|---------|---------|---------|---------|---------|---------|
| 12 oz. bottles, cases | 4.4 | 5.8 | 9.7 | 12.7 | 15.4 | 19.9 |
| 750ml wine bottles | 35 | 42 | 66 | 90 | 106 | 137 |
| 1/2 barrel kegs | N/A | N/A | N/A | N/A | N/A | N/A |
| 1/6 barrel kegs | N/A | N/A | N/A | N/A | N/A | N/A |

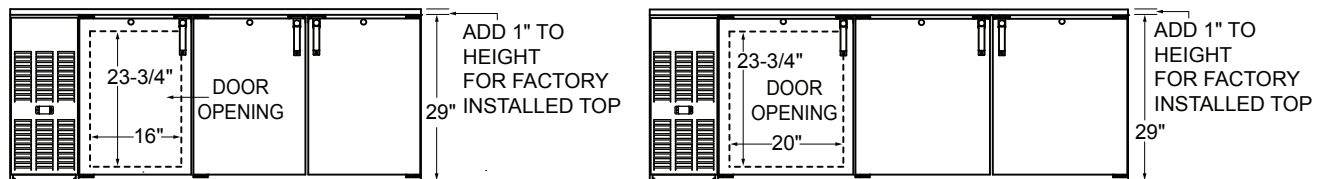
Coolers - Pass-Thru, One Zone, Front Serviced, Low Profile

Drawings

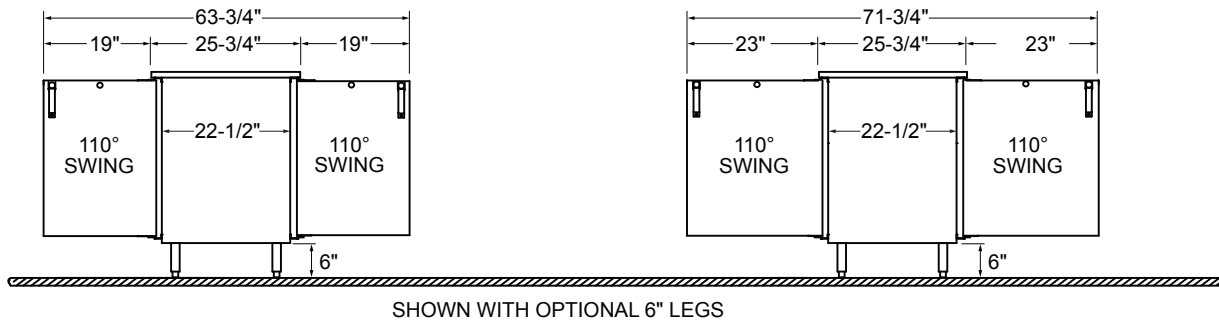
PLAN VIEW



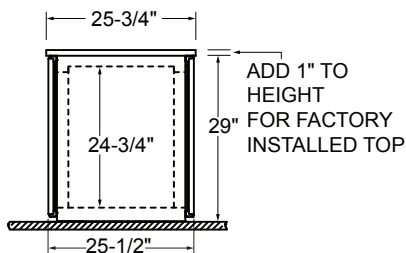
FRONT VIEW



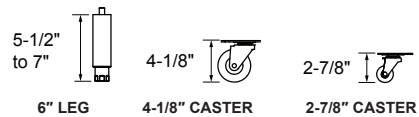
SIDE VIEW



STANDARD CABINET



OPTIONAL LEGS AND CASTERS



Note: Available with compressor left or right.
Compressor left model shown.