



T&S BRASS AND BRONZE WORKS, INC.

2 Saddleback Cove / P.O. Box 1088
Travelers Rest, SC 29690

Model No.

B-7232-U05XS6E

Item No.

Travelers Rest, SC: 800-476-4103 • Simi Valley, CA: 800-423-0150 • Fax: 864-834-3518 • www.tsbrass.com

This Space for Architect/Engineer Approval

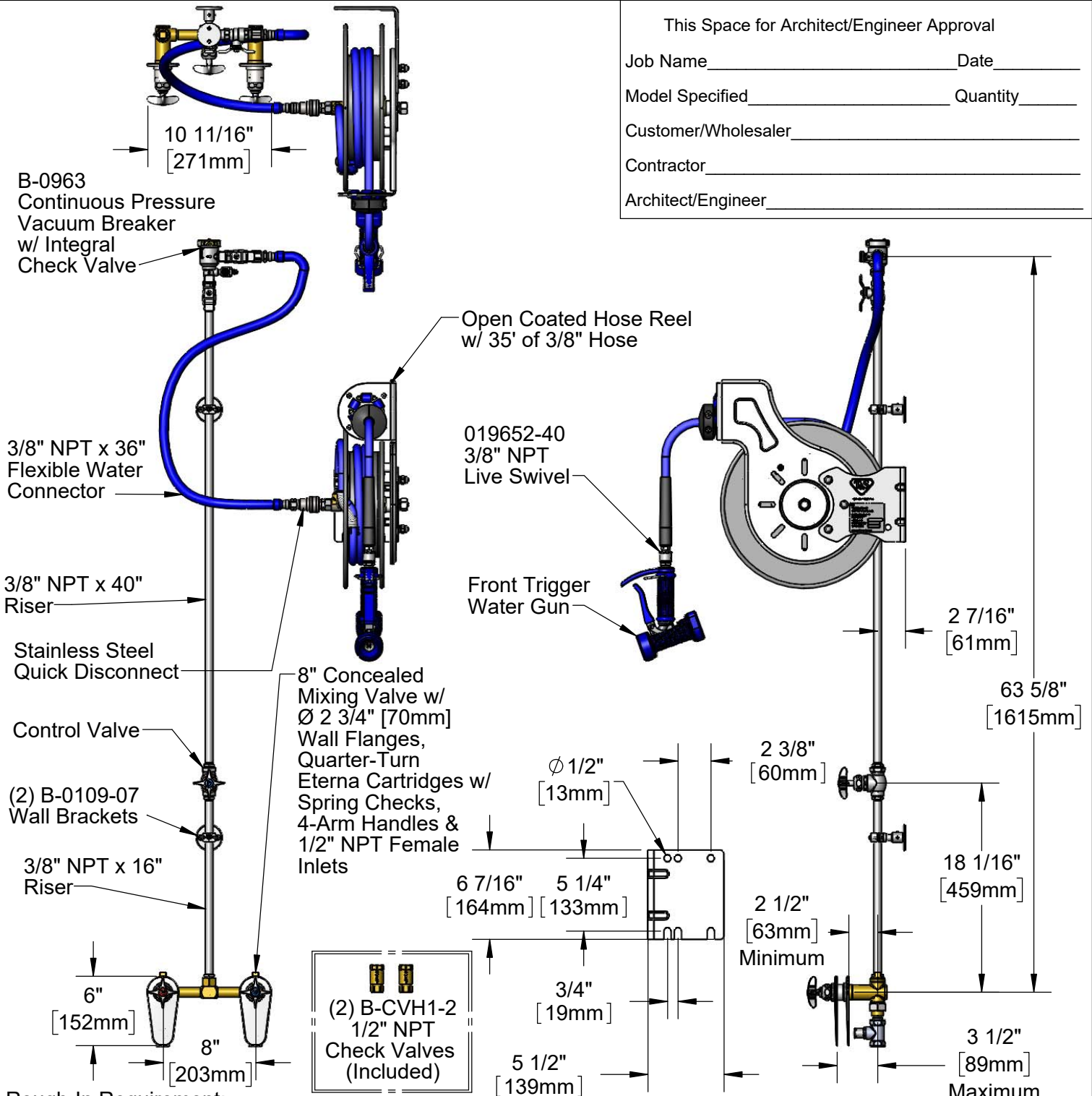
Job Name _____ Date _____

Model Specified _____ Quantity _____

Customer/Wholesaler _____

Contractor _____

Architect/Engineer _____



Rough-In Requirement:
(2) Ø 1 1/2" [38mm] Mounting Holes

Product Specifications:

Open Coated Hose Reel w/ 35' of 3/8" Hose, Blue Front Trigger Water Gun w/ Swivel, Vacuum Breaker, 3/8" NPT Flexible Water Connector, 8" Concealed Bypass Mixing Faucet W/ Loose Key Stops and 6" Tear Drop Wall Flange, Control Valve & (2) Check Valves

Product Compliance:

NSF 61 Exempt (Non-Potable)
2019 DOE PRSV Non-Compliant
ASSE 1056 (VB)



T&S BRASS AND BRONZE WORKS, INC.

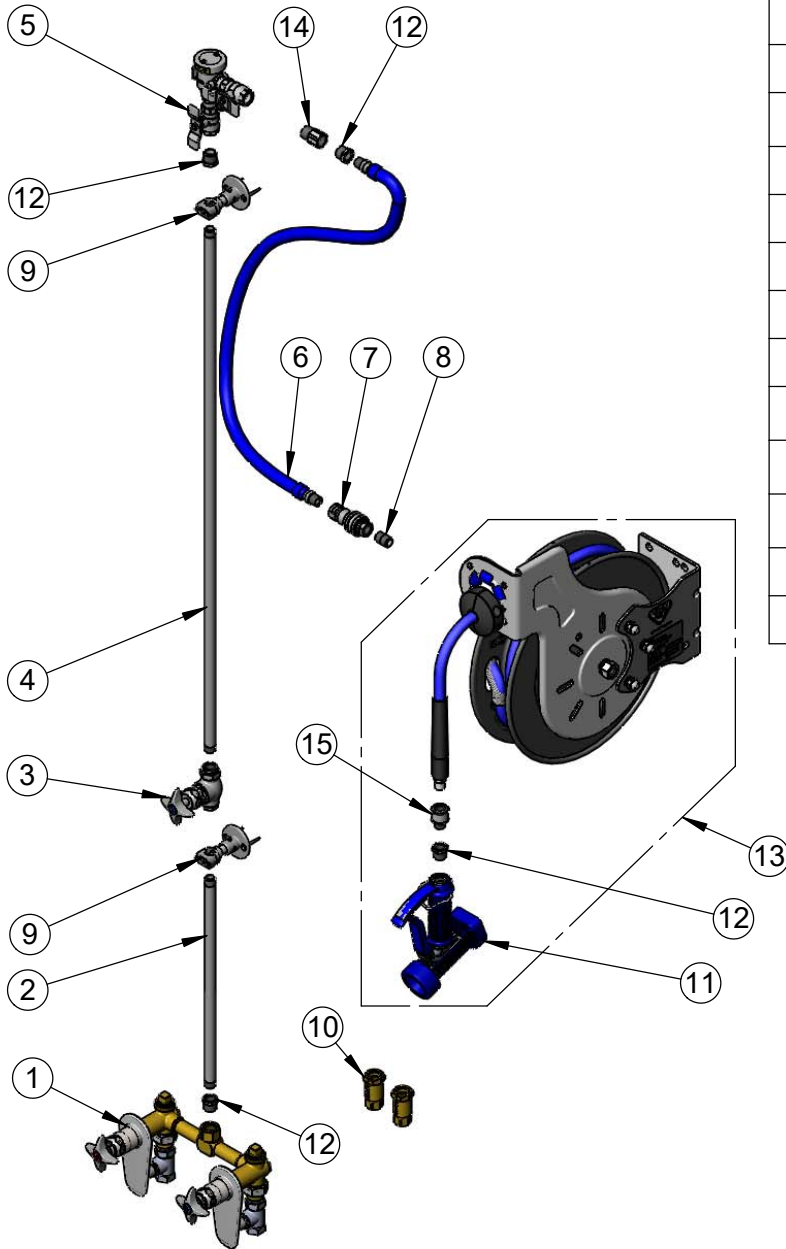
2 Saddleback Cove / P.O. Box 1088
Travelers Rest, SC 29690

Model No.

B-7232-U05XS6E

Item No.

Travelers Rest, SC: 800-476-4103 • Simi Valley, CA: 800-423-0150 • Fax: 864-834-3518 • www.tsbrass.com



ITEM NO.	SALES NO.	DESCRIPTION
1	B-1035-ST	8" Concealed Bypass Mixing Faucet w/ Teardrop Flange
2	000368-40	3/8" NPT x 16" Riser
3	0RK3	Control Valve
4	002558-40	3/8" NPT x 40" Riser
5	B-0963	1/2" NPT Continuous Pressure VB w/ Integral Check Valve
6	HW-2B-36	3/8" NPT x 36" Flexible Water Hose
7	AW-5B	3/8" NPT Quick Disconnect
8	002535-25	3/8" NPT Close Nipple
9	B-0109-07	Wall Bracket
10	B-CVH1-2	1/2" NPT Female Check Valve
11	MV-2522-24	Stainless Steel Water Gun, Front Trigger
12	001359-40	1/2" NPT Male x 3/8" NPT Female Hex Bushing
13	B-7232-05	3/8" x 35' Reel w/ Front Trigger Water Gun
14	015073-40	Check Valve w/ 1/2" NPT Adapter
15	019652-40	3/8" NPT Live Swivel

Product Specifications:

Open Coated Hose Reel w/ 35' of 3/8" Hose, Blue Front Trigger Water Gun w/ Swivel, Vacuum Breaker, 3/8" NPT Flexible Water Connector, 8" Concealed Bypass Mixing Faucet W/ Loose Key Stops and 6" Tear Drop Wall Flange, Control Valve & (2) Check Valves

Product Compliance:

NSF 61 Exempt (Non-Potable)
2019 DOE PRSV Non-Compliant
ASSE 1056 (VB)