



Special Features:

- ✓ Type 403 Stainless Steel Wall Shelves
- ✓ Storage Area: 2ft² - 12ft²
- ✓ Sturdy 16 & 18 Gauge 430 Stainless Steel
- ✓ High Loading Capacity: 210 lb. - 610 lb.
- ✓ 1.5" Rear Upturn on All Models
- ✓ 12", 15" & 18" Depth Models Available
- ✓ Brackets Included for Easy Installation
- ✓ Easy to Clean
- ✓ No Sharp Edges

About Empura Shelves:

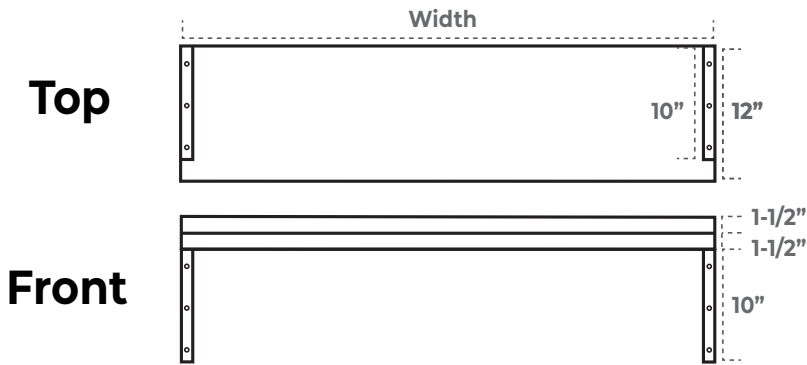
Empura Stainless Steel Shelves are an economical choice when you are looking to replace, or expand your kitchens storage space. Heavy duty stainless steel construction and relatively high load capacities make these stainless steel shelves a safe choice when you're in need of a wall mounted shelf to add storage to your kitchen.

TECHNICAL SPECS

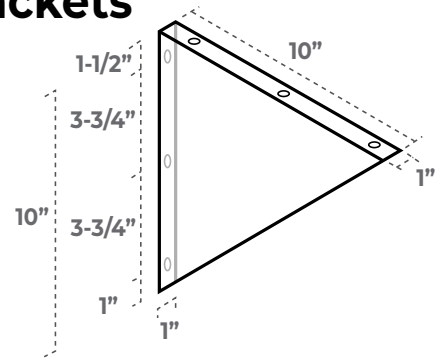
Model #	Stainless Steel Type	Gauge	Depth	Width	Shelf Weight Capacity (lbs)	Net Weight
1224WS18G	18/0 (SS 430)	18 G	12"	24"	210 lb.	7 lb.
1236WS18G	18/0 (SS 430)	18 G	12"	36"	230 lb.	10 lb.
1248WS18G	18/0 (SS 430)	18 G	12"	48"	255 lb.	12 lb.
1260WS18G	18/0 (SS 430)	18 G	12"	60"	285 lb.	15 lb.
1272WS18G	18/0 (SS 430)	18 G	12"	72"	285 lb.	18 lb.
1284WS18G	18/0 (SS 430)	18 G	12"	84"	340 lb.	21 lb.
1296WS18G	18/0 (SS 430)	18 G	12"	96"	365 lb.	23 lb.
1524WS18G	18/0 (SS 430)	18 G	15"	24"	255 lb.	9 lb.
1536WS18G	18/0 (SS 430)	18 G	15"	36"	300 lb.	11 lb.
1548WS18G	18/0 (SS 430)	18 G	15"	48"	345 lb.	15 lb.
1560WS18G	18/0 (SS 430)	18 G	15"	60"	395 lb.	17 lb.
1572WS18G	18/0 (SS 430)	18 G	15"	72"	395 lb.	21 lb.
1584WS18G	18/0 (SS 430)	18 G	15"	84"	505 lb.	24 lb.
1596WS18G	18/0 (SS 430)	18 G	15"	96"	550 lb.	27 lb.
1824WS16G	18/0 (SS 430)	16 G	18"	24"	300 lb.	13 lb.
1836WS16G	18/0 (SS 430)	16 G	18"	36"	340 lb.	17 lb.
1848WS16G	18/0 (SS 430)	16 G	18"	48"	385 lb.	20 lb.
1860WS16G	18/0 (SS 430)	16 G	18"	60"	450 lb.	24 lb.
1872WS16G	18/0 (SS 430)	16 G	18"	72"	450 lb.	30 lb.
1884WS16G	18/0 (SS 430)	16 G	18"	84"	560 lb.	34 lb.
1896WS16G	18/0 (SS 430)	16 G	18"	96"	605 lb.	37 lb.

60"/72" Wall Shelves have 3 Brackets. 84"/96" Wall Shelves have 4 Brackets.

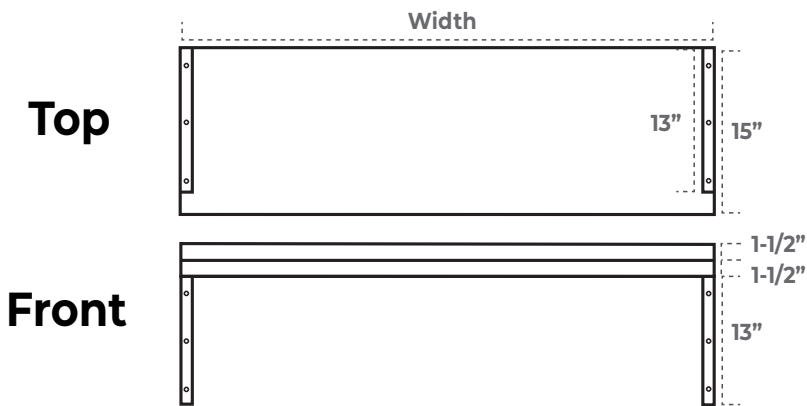
12" MODELS



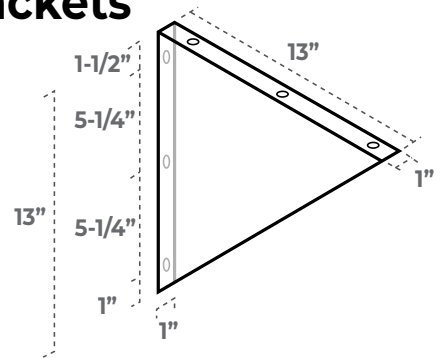
Brackets



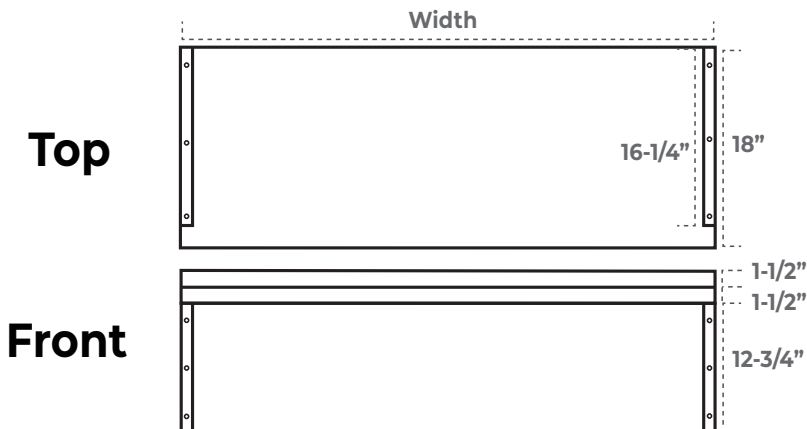
15" MODELS



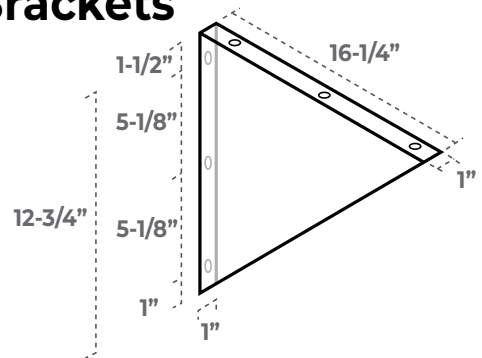
Brackets



18" MODELS



Brackets



Intended For Commercial Use Only. Empura assumes no liability for component failure, factory defects or any other damages for units installed in non-commercial applications.

Attention CA Residents: This product can expose you to chemicals including lead, which are known to the State of California to cause cancer, birth defects, or other reproductive harm. For more information, go to www.p65warnings.ca.gov.