

Special Features:

- ✓ Restaurant Range
- ✓ 36" Wide Range Top
- ✓ Stainless Steel Construction
- ✓ High Rise Stainless Steel Backsplash and Shelf
- ✓ 6 Total Top Range Burners
- ✓ Insulated Stainless Steel Oven Door With Ceramic Coating
- ✓ Welded Frame Structure Provides Stability
- ✓ 1 U-Shaped Oven Burner
- ✓ Full Width Removable Drip Pan Tray
- ✓ 6" Adjustable Stainless Steel Legs
- ✓ Kick Plate at the Bottom for Easy Access for Servicing
- ✓ Temperature Controlled Thermostat
- ✓ Standby Stainless Steel Pilot for Easy Burner Operation
- ✓ Anti-Clogging Pilot Covers

Main Description:

The Empura EGR-36 is a 36" wide gas range with with (6) 12" x 12" 30,000 BTU top burners and (1) 30,000 BTU standard oven with a temperature range of 250°F to 550°F. The gas range includes a 24 1/2" high stainless steel backriser with a stainless steel shelf and a 4" front ledge that provides plenty of working space. This model features a welded frame construction for stability and stands on sturdy 6" adjustable stainless steel legs.

Intended For Commercial Use Only. Empura assumes no liability for component failure, factory defects or any other damages for units installed in non-commercial foodservice or residential applications.

Group Description:

Empura Gas Ranges are an economical choice when you are looking to outfit, replace, or expand your commercial kitchen. Heavy duty construction, cast iron open burners, and built-in ovens make these restaurant ranges a solid, workhorse when you're making soups, stews, pastas, veggies, roasts, breads and more. You can count on an Empura Gas Range for almost any commonplace cooking task you may need accomplished.



TECHNICAL SPECS

Dimensions

| | |
|----------------------|---------|
| Overall Width | 36" |
| Overall Depth | 32 5/8" |
| Overall Height | 60 3/8" |
| Oven Interior Width | 26 5/8" |
| Oven Interior Depth | 25 3/4" |
| Oven Interior Height | 13 7/8" |

Construction

| | |
|-------------------|-------------------------------|
| Control Type | Manual |
| Gas Inlet Size | 3/4" |
| Installation Type | Freestanding |
| Number of Racks | 2 |
| Back Shelf Depth | 10" |
| Front Ledge Depth | 4" |
| Heavy Duty Legs | 6"/Stainless Steel/Adjustable |

Cooking

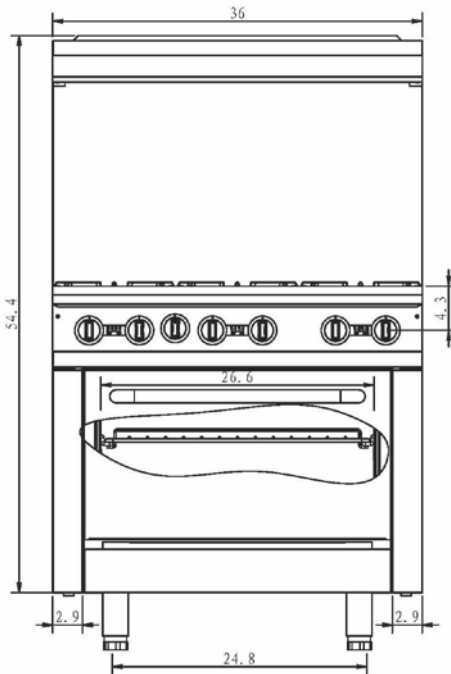
| | |
|---------------------|---------------|
| Power Type | Natural Gas |
| Number of Burners | 6 |
| Burner Style | Grates |
| Burner BTU/each | 30,000 BTU |
| Range Base Style | Standard Oven |
| Number of Ovens | 1 |
| Maximum Temperature | 550°F |
| Oven BTU/each | 30,000 BTU |
| Total BTU | 210,000 BTU |

Griddle

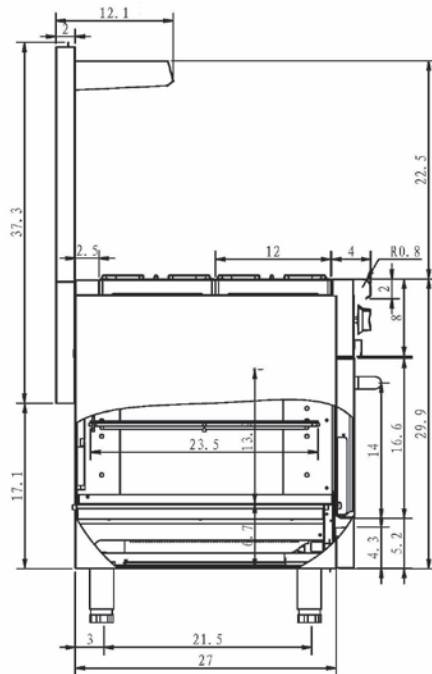
| | |
|------------------------------|-----|
| Griddle Position | N/A |
| Griddle Width | N/A |
| Griddle Cooking Surface Size | N/A |
| Griddle Plate Thickness | N/A |
| Griddle BTU | N/A |

UNIT VIEW

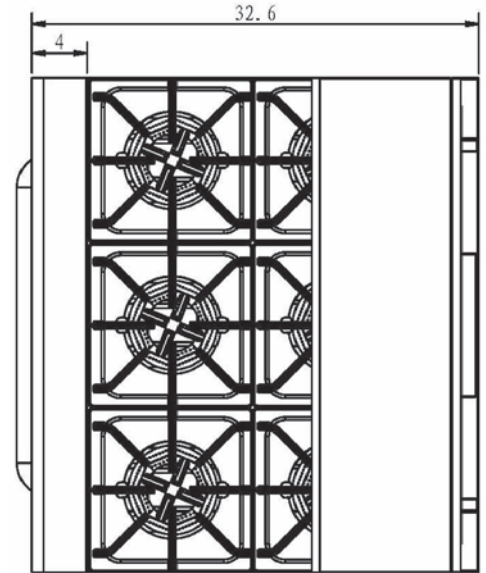
Front View



Side View



Top View



Attention CA Residents: This product can expose you to chemicals including lead, which are known to the State of California to cause cancer, birth defects, or other reproductive harm. For more information, go to www.p65warnings.ca.gov.



3/4" Gas Connection:
This unit comes with a 3/4" gas connection.



Fuel Type:
This unit is made for use with natural gas.