

Project: _____

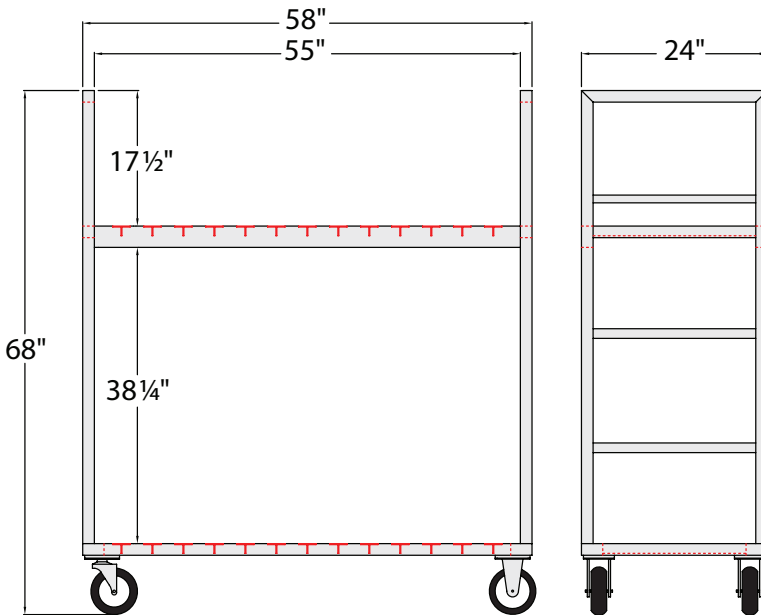
Item: _____

Quantity: _____

Uni-T Truck



1430



1430

Multi-use truck perfect for multiple industries, these trucks are designed for heavy loads up to 2000 lbs. All welded aluminum construction means these trucks are ideal for use in coolers, freezers, and dry storage. Easily maneuvered on heavy duty, plate type casters, the six-wheel design allows the cart to turn on a dime.

- Constructed of Primary Grade Aluminum.
- Framework is constructed mostly of 1½" x 1½" x .070" wall aluminum tubing.
- Base is constructed of 1½" x 2¾" x .070" wall aluminum tubing.
- Shelves are constructed of 1¼" x 2¼" x .100" wall T-Bar.
- Model #1430 comes with four 6" x 2" plate type casters, two swivel and two rigid.
- Model #1431 comes with four 8" x 2" plate type casters, two swivel and two rigid.
- Five-Year Guarantee against material defects and workmanship.
- Lifetime Guarantee against rust and corrosion.
- NSF Certified.

► Uni-T Truck

Model No	Size D-H-L	Wheel Size	Shelf Spacing	Ship Lbs.
1430	24" x 68" x 58"	6"	38¼"	92
1431	24" x 70" x 58"	8"	38¼"	114

Model #1430: Four 6" plate type casters; two swivel, two rigid.

Model #1431: Four 8" plate type casters; two swivel, two rigid.

Options: Options may not be NSF Certified. Contact the factory.

- Corner Bumpers (4)** - Add "B" suffix to model #.
- Caster Locks (2)** - Add "CL" suffix to model #.
- Perimeter Bumper** - Add "PB" suffix to model #.
- Vertical Bumper** - Add "VB" suffix to model #.



New Age Industrial Corp., Inc. || NewAgeIndustrial.com || Made in the USA

PO Box 520 • 16788 US Hwy 36 • Norton, Kansas 67654 || Phone: (800) 255-0104 • (785) 877-5121 || Fax: (877)-877-7687 • (785) 877-2616

This information is for general sales and engineering use only. New Age Industrial reserves the right to modify or make changes at any time, without notice, to materials and specifications.