



Project _____
 AIA # _____ SIS # _____
 Item # _____ Quantity _____ C.S.I. Section 114000

UHT SERIES

Compact Undercounter with Drawers
 Refrigerator Models/Self-Contained

STANDARD PRODUCT FEATURES

- Stainless Steel Exterior Top, Sides & Drawers
- Front Breathing Self-Contained Refrigeration System
- Environmentally Friendly, Low GWP R-290 Refrigerant
- Automatic Non-Electric Condensate Evaporator
- Electronic Control
- Full-Length Drawer Handle with Gasket Guard
- Magnetic Snap-In EZ-Clean™ Drawer Gasket(s)
- Self-Closing Stainless Steel Drawers with Stay-Open Feature
- Heavy Gauge Stainless Steel Drawer with Slide
- 8' Cord & Plug Attached
- Set of Six (6) 4" Casters

ACCESSORIES & OPTIONS (*field installed)

- CK21 (six 6" (15.2 cm) high casters for 72" models)
- CK25 (six 3½" (8.9 cm) high casters for 72" models)
- CK27 (six 2¾" (6.9 cm) high casters for 72" models)
- LK6 (six 6" (15.24 cm) high legs for 72" models)
- CU72TOPBSWO (heavy gauge stainless steel top with 4" backsplash UHT72)
- Optional accessory kits shipped separately for field installation

FACTORY INSTALLED OPTIONS

Stainless Steel Finished Back (model numbers will have '-SB' suffix)



Models listed to the applicable UL, CSA and NSF standards by an approved NRTL. Consult the factory or unit data plate for additional information.

AVAILABLE CONFIGURATIONS

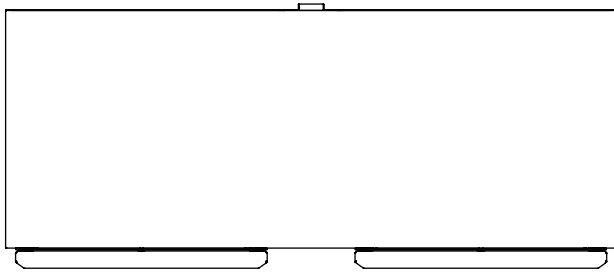
72" Wide Model

Model
 UHT72-DD

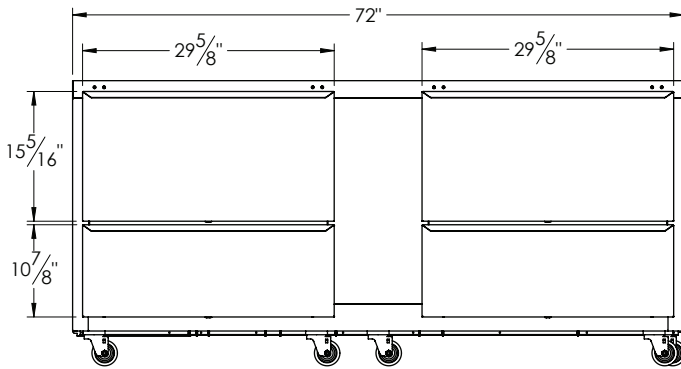
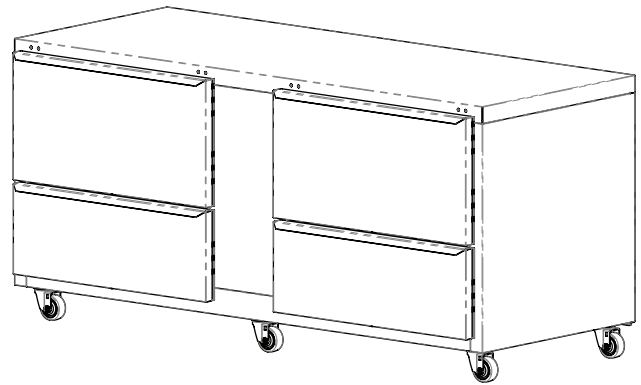
Style
 Four Drawer Refrigerator

Approved by _____ Date _____ Approved by _____ Date _____

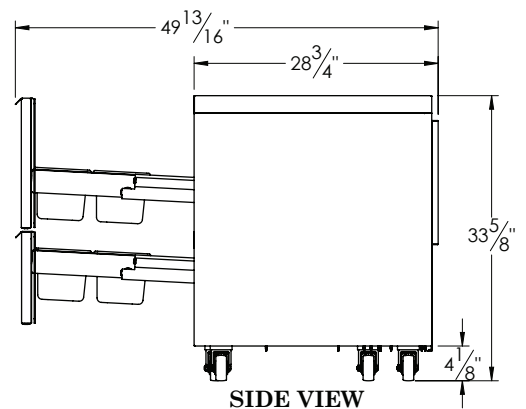
MODEL:
UHT72-DD



TOP VIEW



ELEVATION



SIDE VIEW



UHT SERIES

Compact Undercounter with Drawers Refrigerator Models/Self-Contained

MODEL

UHT72-DD

MODEL	UHT72-DD
DIMENSIONAL DATA	
Net Capacity cu. ft.	20.57 (582 l)
# of 1/6 size pans per drawer	8
# of drawers per cabinet	4
# of 1/6 size pans per cabinet	32
Length - overall in.	72 (182.9 cm)
Depth - overall in.	28 ³ / ₄ (73 cm)
Depth - drawer open in.	49 ¹³ / ₁₆ (126.5 cm)
Width Drawer in.	29 ⁵ / ₈ (75.2 cm)
Height - overall on 4" casters	33 ⁵ / ₈ (85.4 cm)
ELECTRICAL DATA (NEMA 5-15P attached)	
Voltage	115/60/1
Full Load Amps KWH/24HR ¹	7.2 2.27
REFRIGERATION DATA	
Refrigerant	R-290
Refrigerant Amount oz.	5 (142 g)
BTU/HR ² H.P.	1680 1/5 HP
SHIPPING DATA	
Length - crated in.	84 (213 cm)
Width - crated in.	42 (107 cm)
Height - crated in.	41 (104 cm)
Volume - crated cu. ft.	91 (2577 l)
Weight - crated lbs.	344 (156 kg)

NOTES:

1. KWH/24HR = Kilowatt usage per 24 hours
2. Based on a 90°F ambient and 20°F evaporator.

EQUIPMENT SPECIFICATIONS

CONSTRUCTION, HARDWARE, INSULATION

Cabinet exterior front, one piece sides, and drawers are constructed of heavy gauge stainless steel. The cabinet is insulated with an average of 2" thick high density, non-CFC, foamed in place polyurethane.

REFRIGERATION SYSTEM

A balanced, rear mounted, front breathing, self-contained refrigeration system using environmentally friendly R-290 refrigerant is provided. It features a capillary tube, air cooled hermetic compressor, a forced air evaporator coil and a non-electric condensate evaporator. An 8' (2.4m) NEMA cord and plug is provided. Standard operating temperature for refrigerator is 34° to 38°F (1.1° to 3.3°C).

CONTROLLER

An electronic digital control is supplied standard. It includes a 3-Digit LED display, and a Fahrenheit or Celsius temperature scale display capability.

DRAWERS

They are constructed using heavy gauge stainless steel drawer slides and 1 5/16" diameter stainless steel rollers. Gasket profile and material simplify cleaning and increase overall gasket life. Drawers include both a self-closing and stay-open feature.

DOMESTIC WARRANTY

Both a six year parts and labor warranty and a seven year compressor warranty (self-contained models only) are provided standard.

When ordering please specify: Voltage, Hinging, and Options.

Equipped with one NEMA 5-15P Plug



CONTINUED PRODUCT DEVELOPMENT MAY NECESSITATE SPECIFICATION CHANGES WITHOUT NOTICE.