



# Admiral Craft

Equipment Corp.

**NOW IN STOCK!**

## DISPLAY FROZEN GOODS

# CLEARLY *with*

## BLACK DIAMOND

Sliding Glass Door Chest Freezers  
by Admiral Craft



BDCF-12-CG

BDCF-15-CG

BDCF-19-CG

### FEATURES

- Tempered sliding glass doors with coated trim
- White PCM Aluminum interior
- Brilliant Internal LED Illumination
- Environmentally-Friendly R290 Refrigerant
- Manual Temperature Controller with light up indicators
- Manual Defrosting
- Wire-coated baskets for organization inside the unit
- Drain plug inside the unit for easy cleaning
- 1 year warranty on parts and labor



BDCF-6-CG

BDCF-9-CG

	BDCF-6-CG	BDCF-9-CG	BDCF-12-CG	BDCF-15-CG	BDCF-19-CG
<b>Description</b>	Curved Sliding Glass Top Chest Freezer 6.4 Cu. Ft.	Curved Sliding Glass Top Chest Freezer 9.6 Cu. Ft.	Curved Sliding Glass Top Chest Freezer 12.5 Cu. Ft.	Curved Sliding Glass Top Chest Freezer 15.7 Cu. Ft.	Curved Sliding Glass Top Chest Freezer 19.2 Cu. Ft.
<b>Net Volume (Cubic Ft)</b>	6.4	9.6	12.5	15.7	19.2
<b>Refrigerant</b>	R290	R290	R290	R290	R290
<b>Baskets</b>	2	3	4	5	6
<b>Casters</b>	4	4	4	6	6
<b>Voltage/Hertz/Phase</b>	115/60/1	115/60/1	115/60/1	115/60/1	115/60/1
<b>Amps</b>	1.6	1.6	1.6	2.2	2.2
<b>Net Weight (lbs)</b>	107 lbs	126 lbs	145 lbs	170 lbs	190 lbs
<b>Unit Dimensions</b>	29.13"W × 26.8"D × 33.5"H	40.55"W × 26.8"D × 33.5"H	50"W × 26.8"D × 33.5"H	60.24"W × 26.8"D × 33.5"H	71.26"W × 26.8"D × 33.5"H
<b>Shipping Dimensions</b>	31"W × 30.3"D × 35"H	42.5"W × 30.3"D × 35"H	52"W × 30.3"D × 35"H	62.2"W × 30.3"D × 35"H	73.23"W × 30.3"D × 35"H

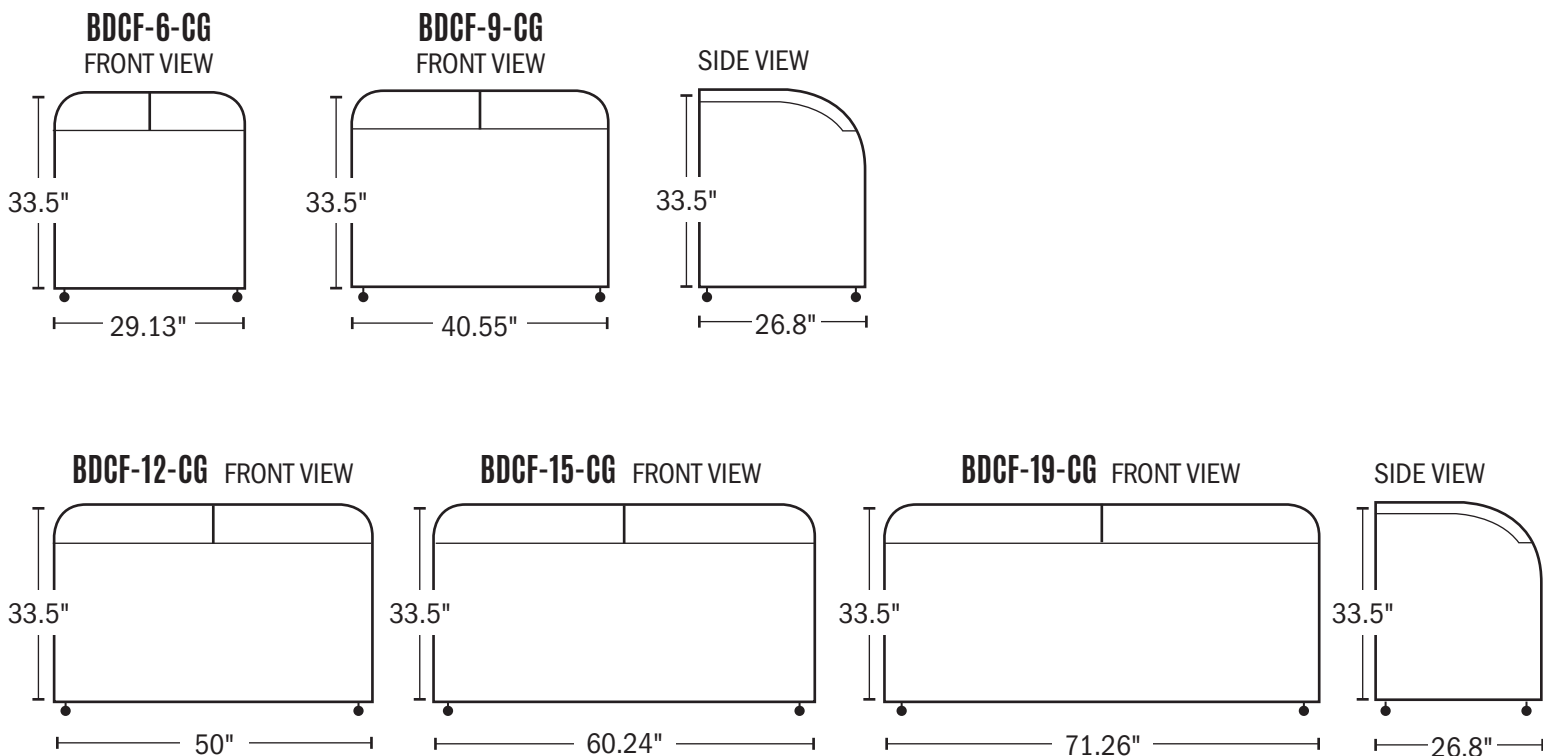
CALL FOR MORE INFO: 1.800.223.7750

VISIT: [www.admiralcraft.com](http://www.admiralcraft.com)

# BLACK◆DIAMOND

## Sliding Glass Door Chest Freezers

by Admiral Craft



## COOLING SYSTEM

- Refrigeration units use environmentally-friendly R290 refrigerant
- Maintain a temperature range of -4°-10°F
- Thick wall insulation helps to keep ideal temperature inside the cabinet

## ELECTRICAL CONTROL

- Manual temperature controller with 0-7 settings
- Power and operating light indicators to know when the unit is on and running
- 8' power cord with NEMA 5-15 plug from the back of the unit
- 115V connection for all models

## LID(S)

- Tempered sliding glass doors with coated film
- Framed by dark gray plastic and silver aluminum

## CABINET CONSTRUCTION

- Exterior is constructed of a steel with a durable white powder coating
- Interior is constructed of white PCM aluminum
- The cabinet is insulated throughout with a foamed-in high density cell polyurethane insulation
- Drain plug located on the bottom of the cabinet allows for easy cleaning

## BASKETS

- Includes plastic-coated wire baskets to help keep your stored items organized and properly merchandised inside the cabinet.

## MODEL FEATURES

- The bottom of all units have built in casters for sliding in and out of spaces for easier cleaning.

CALL FOR MORE INFO: 1.800.223.7750

VISIT: [www.admiralcraft.com](http://www.admiralcraft.com)