



# KMD-530M\_J(Z)


MODULAR CRESCENT CUBER




KMD-530M\_J(Z)  
07/02/24  
Item # 13554

Item #: \_\_\_\_\_  
Project: \_\_\_\_\_  
Qty: \_\_\_\_\_  
AIA#: \_\_\_\_\_

## Features

- ▶ Individual crescent cube
- ▶ Optimized for use with ice and beverage dispenser
- ▶ Stainless steel evaporator
- ▶ CycleSaver™ design 

- Up to 515 lbs. of ice production per 24 hours
- Ice on beverage design
- Durable stainless steel exterior
- EverCheck™ alert system 
- Front air inlet panels available for side-by-side application (used with HS-5065)
- R-404A Refrigerant

### Available on Bins:

**B-250SF**    **BD-500SF**    **B-800SF**    **B-1150SS**  
**B-500SF**    **B-700SF**    **B-900SF**    **B-1300SS**

Top kit may be required. See Bin Spec Sheets.

### Warranty:

3 Year Parts & Labor on entire machine. 5 Year Parts & Labor on Evaporator. 5 Year Parts on Compressor; air-cooled condenser coil. Valid in United States, Canada, Puerto Rico and U.S. Territories. Contact factory for warranty in other countries.

Shipping: (LxWxH) 34" x 33" X 39"    Volume: 18.05ft<sup>3</sup>

W x D x H  
30" x 24<sup>1/4"</sup> x 22<sup>1/8"</sup>

## KMEDGE™

**KMD-530MAJ**  
Air-Cooled

**KMD-530MWJ**  
Water-Cooled

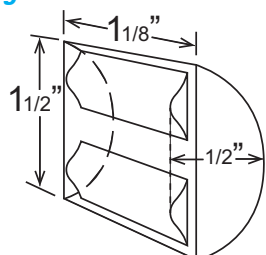
**KMD-530MRJZ**  
Remote Air-Cooled



Condenser	Model	ICE PRODUCTION		WATER USAGE		ELECTRICAL					Heat Rejection BTU/hr.	Refrigerant Charge Amount	Net / Ship Weight (lbs.)
		Air / Water Temp Lbs. per 24 hours 70°/ 50°F    90°/ 70°F	Potable Gal. per 100 lbs. 90°/ 70°F	Condenser Gal. per 100 lbs. 90°/ 70°F	kWh Used per 100 lbs. 90°/ 70°F	Min. Circuit/Max. Fuse Size	Amperage	Voltage	Circuit Wires (including ground)				
Air	KMD-530MAJ	501	442	24.5	N/A	5.7	20A	12A	115V/60/1	3	7,130	1 lb. 2.5 oz.	130 / 170
Water	KMD-530MWJ	515	500	24.9	113	4.7	20A	14.1A	115V/60/1	3	8,170	14.1 oz.	130 / 170
Remote	KMD-530MRJZ	498	440	25.0	N/A	6.1	20A	12.4A	115V/60/1	3	7,670	1 lb. 15.7 oz. 3 lb. 14 oz.	130 / 170

(with condenser)

### KMEdge™ Cube Dimensions\*



\* approximate size in inches, image not to scale

### Operating Limits

- Ambient Temp Range    45 - 100°F
- Water Temp Range      45 - 90°F
- Water Pressure          10 - 113 PSIG
- Voltage Range          104 - 127V
- If GFCI is required, a GFCI breaker MUST be used in lieu of GFCI receptacle

### Service

- Panels easily removed and all components accessible for service.
- Allow 6" (15 cm) clearance at rear, left side, and top and 12" (30 cm) clearance at right side for air-cooled model. Allow 6" (15 cm) clearance at rear, sides, and top for water-cooled and remote models.

### Plumbing

- Icemaker Water Supply Line: Min. 1/4" Nominal ID Copper Water Tubing or Equivalent
- Icemaker Drain Line: Min. 3/4" Nominal ID Hard Pipe or Equivalent
- Water-Cooled Model (Lines Must Be Independent of Icemaker)
- Condenser Water Supply Line: Minimum 1/4" Nominal ID Copper Water Tubing or Equivalent
- Condenser Drain/Return Line: Minimum 1/4" Nominal ID Hard Pipe (open drain system) or Copper Water Tubing (closed loop system) or Equivalent

### Water Filter

Please refer to water filter specification sheet for recommendations.

Hoshizaki reserves the right to change specifications without notice.

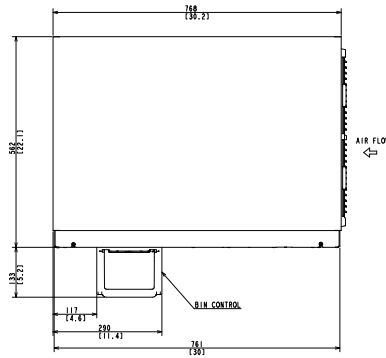


# KMD-530M\_J(Z)

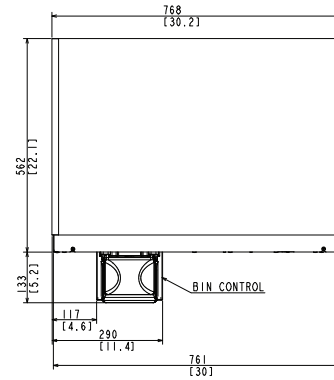
MODULAR CRESCENT CUBER

KMD-530M\_J(Z)  
07/02/24  
Item # 13554

FRONT VIEW



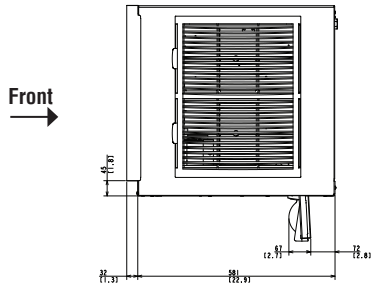
AIR-COOLED



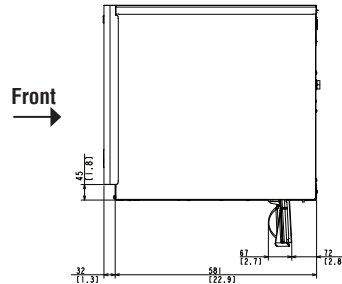
WATER-COOLED  
REMOTE AIR-COOLED

mm  
[inch]

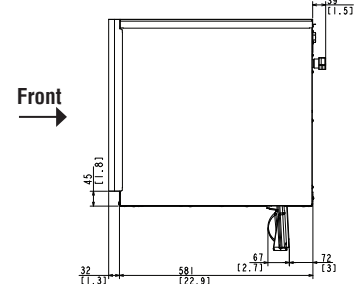
SIDE VIEW



AIR-COOLED

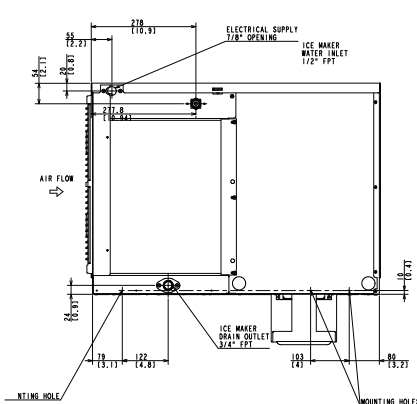


WATER-COOLED

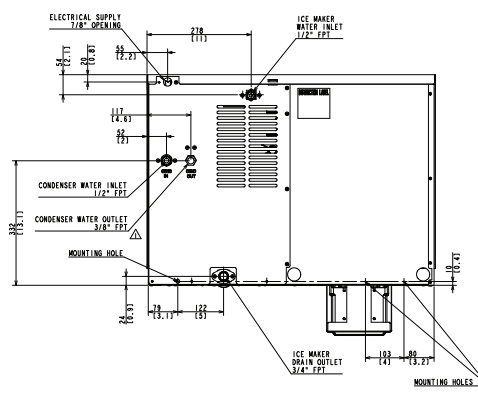


REMOTE AIR-COOLED

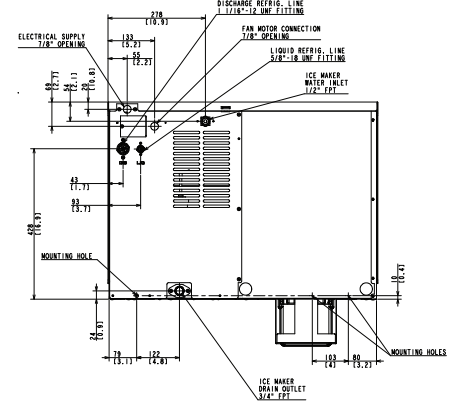
REAR VIEW



AIR-COOLED

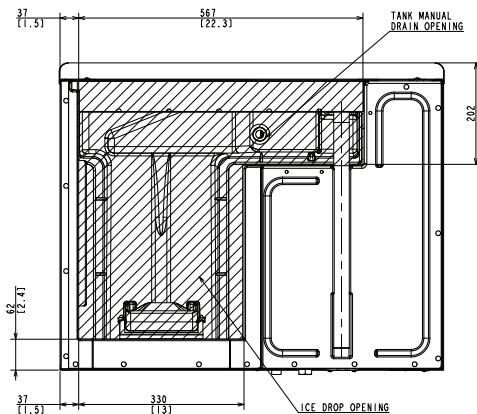


WATER-COOLED



REMOTE AIR-COOLED

BOTTOM VIEW



Bottom dimensions are common for all KMD-530 Models

URC-5FZ Remote Condenser (Sold Separately)  
(W x D x H) 21<sup>13/16</sup> x 14<sup>1/16</sup> x 32<sup>13/16</sup>  
For Use with KMD-530MRJZ

Brazed Line Sets  
(Sold Separately)  
25' HS-5587  
35' HS-5588  
Voltage supply  
for ice maker and  
condensing unit  
are separate.

