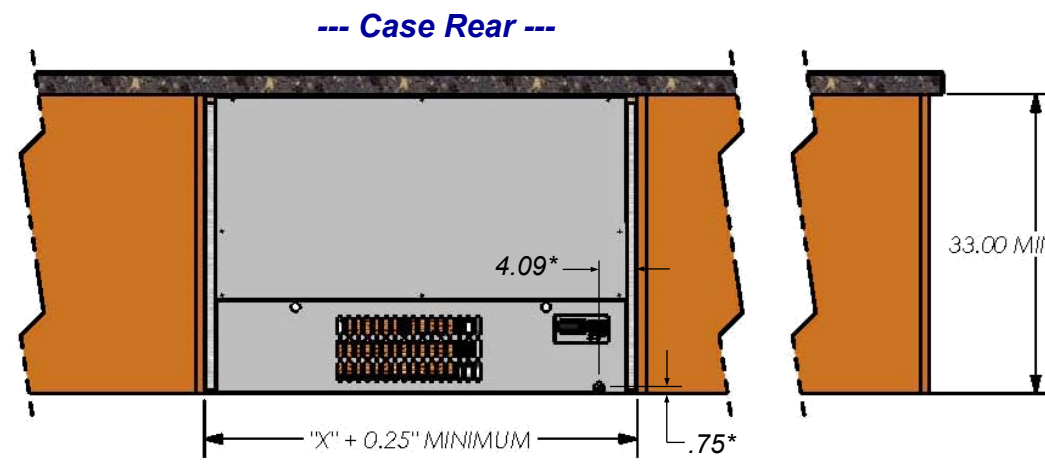


CASE	MINIMUM "X" DIMENSION
CO33R-UC	34"
CO43R-UC	45"
CO53R-UC	57"
CO63R-UC	69"

--- Case Front ---



CASE	"X" DIMENSION
CO33R-UC	36.25"
CO43R-UC	47.25"
CO53R-UC	59.25"
CO63R-UC	71.25"

* Note: A 6-foot power cord is supplied and exits the display through the lower rear panel (as shown at left). Refer to model specification sheet for electrical requirements and plug configuration.

--- Case Rear ---

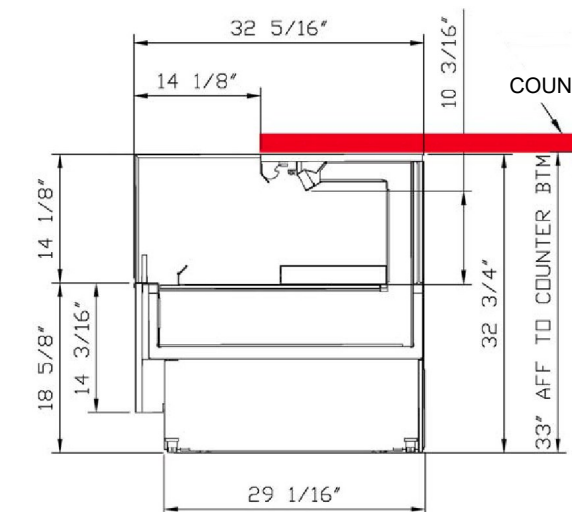
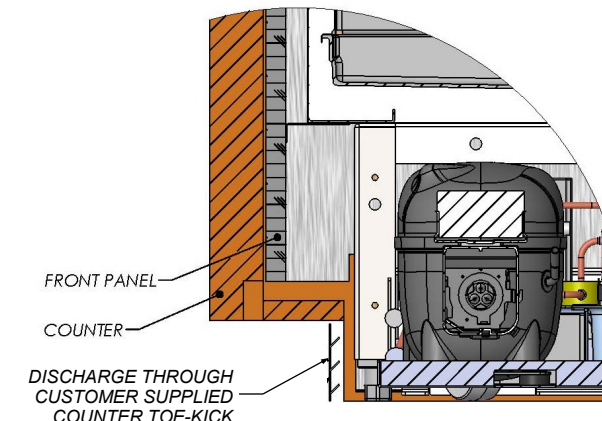
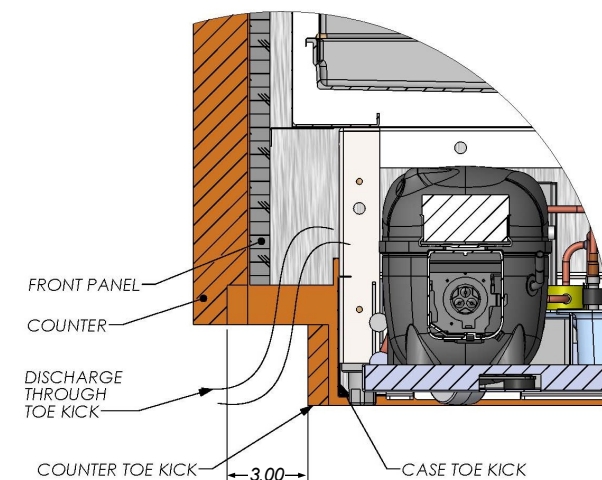
--- Side Section ---

--- Side Section With O.E.M. Toe-Kick ---

--- Side Section Without O.E.M. Toe-Kick ---

--- Side Section With Dimensions ---

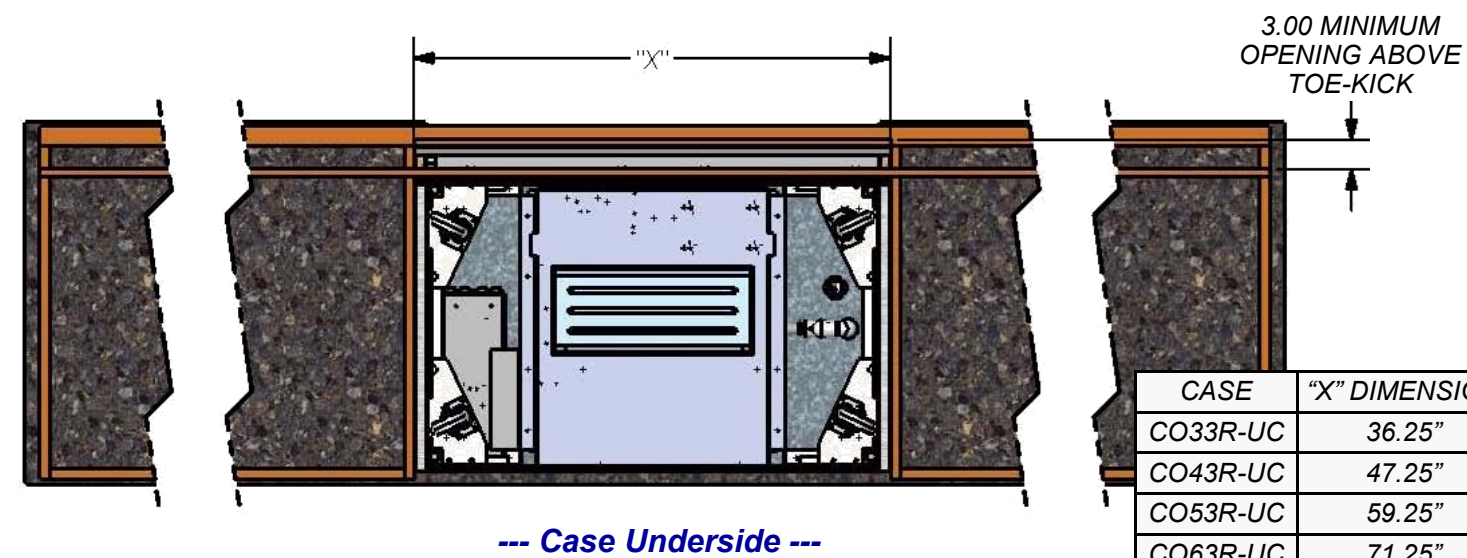
Important!
Any Revisions
To This
Document
Must Also
Be Made
To Operating
Manual
P/N 20-24002



--- Case Top ---



CASE	MINIMUM "X" DIMENSION
CO33R-UC	34"
CO43R-UC	45"
CO53R-UC	57"
CO63R-UC	69"



CASE	"X" DIMENSION
CO33R-UC	36.25"
CO43R-UC	47.25"
CO53R-UC	59.25"
CO63R-UC	71.25"

--- Case Underside ---