

### "CUFC" CUCINA AMERICANA COLLECTION *Formaggio Cart w/Removable 1½" Edge Grain Top*

**FEATURES:**

- Northern Hard Rock Maple
- Edge Grain Construction
- Food Service Grade Stainless Steel Base & Two Perforated Shelves
- Stainless Steel Towel Bar
- Commercial Grade 3" Locking Casters

**CERTIFICATIONS:**



NHLA



REMOVABLE CUTTING BOARD TOP



3" LOCKING CASTERS



### ACCESSORIES

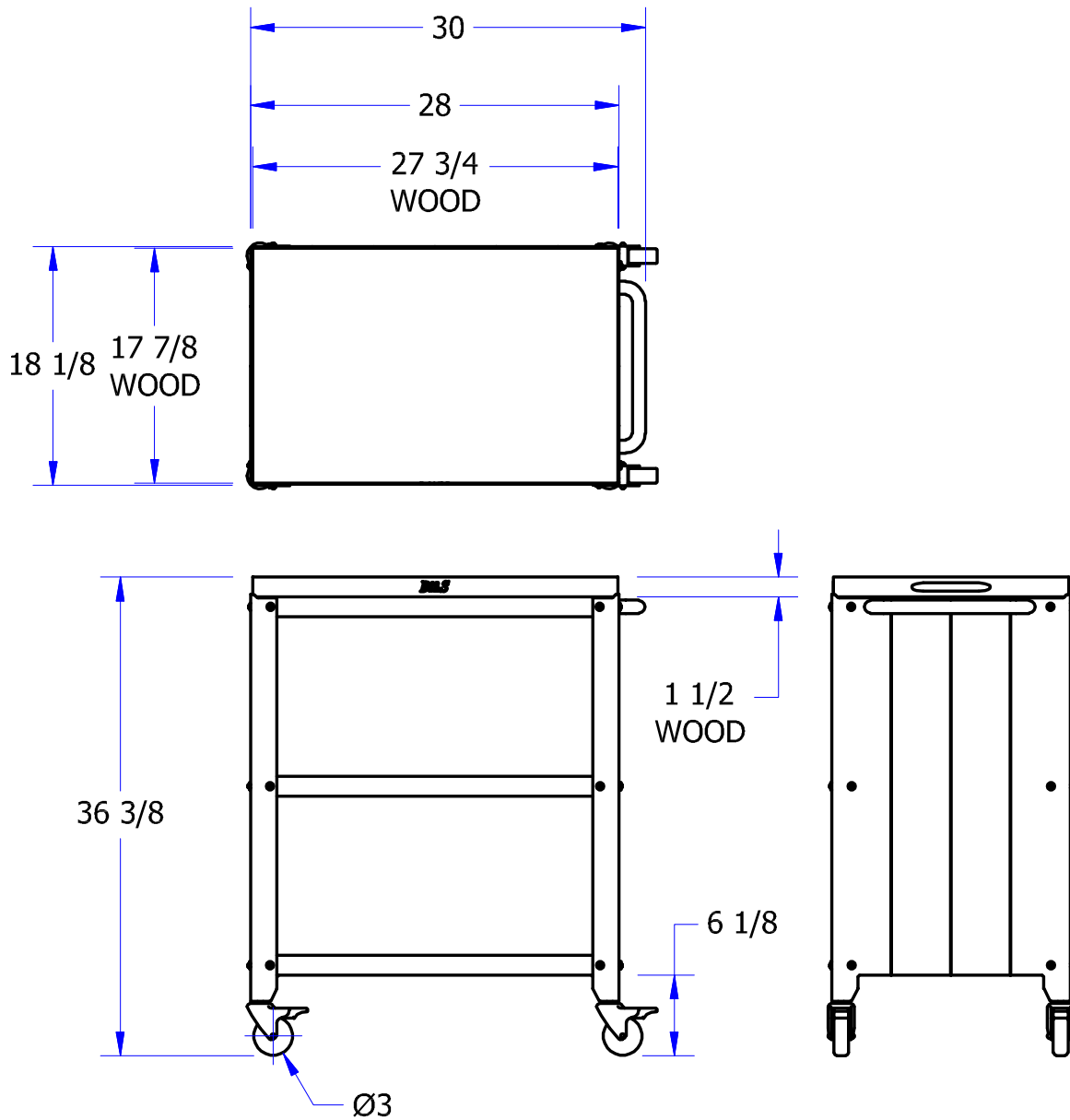
MODEL	DESCRIPTION
HOOK-SS-DBL	Additional Double Sided Pot Rack Hook

### "CUFC" FORMAGGIO CART

MODEL	TOP SIZE (L X W X H)	SIZE (L X W X H)	WT. (LBS)
CUFC-M1830	2-3/4"x17-7/8"x1-1/2"	28"x18-1/8"x36-3/8"	102

ALL DIMENSIONS ARE TYPICAL. TOLERANCE +/- .500". JOHN BOOS & CO. RESERVES THE RIGHT TO CHANGE SPECIFICATIONS WITHOUT NOTICE.

# DETAILED SPECIFICATIONS



## "CUFC" FORMAGGIO CART

MODEL	TOP SIZE (L X W X H)	SIZE (L X W X H)	WT. (LBS)
CUFC-M1830	2-3/4"x17-7/8"x1-1/2"	28"x18-1/8"x36-3/8"	102

ALL DIMENSIONS ARE TYPICAL. TOLERANCE +/- .500". JOHN BOOS & CO. RESERVES THE RIGHT TO CHANGE SPECIFICATIONS WITHOUT NOTICE.