



RESOURCES

UNDERBAR REFRIGERATION



Use your smart phone to scan the above QR code to visit our website: www.bk-resources.com

Model:

BB-2-48

Model: Glass Door

BB-2G-48

Back Bar Solid & Glass Doors



BB-2-48 / BB-2G-48

- **Heavy Duty Construction**
Durable stainless steel top & interior with a corrosion resistant black vinyl exterior.
- **Electronic control system**
Allows for quick temperature adjustments and defrost frequency.
- **Eco-Friendly Hydro-Carbon Refrigerant**
R290 Refrigerant with a nominal global warming potential rating.
- **Easy Access Condenser**
Allows for easy service, even in tight spaces.
- **Holding Temp Range: 33°F to 41°F**
- **LED Interior Lighting**
- **Self Closing Doors with Locks**
- **Comes with 4" swivel casters**
- **1 Year Parts & Labor Warranty**
- **5 Year Compressor Warranty**



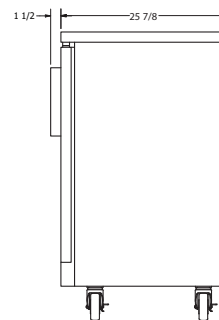
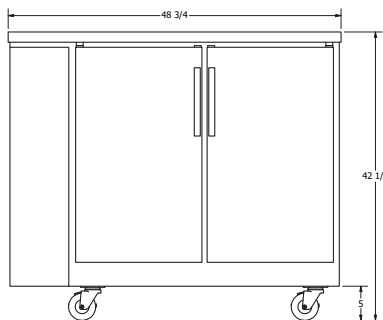
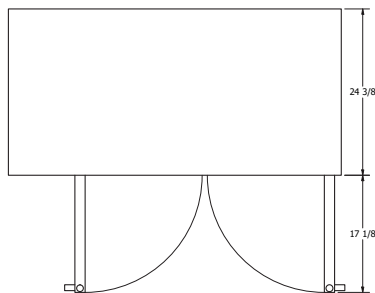
115/60/1
Nema-5-15P



Commercial Use Only - Not warranted for residential use

Specifications subject to change without notice

Part Number	Doors	Shelves	Amps	HP	Voltage	Nema Plug	Cord Length	Unit Size (in) (l x d x h)
Solid Door								
BB-2-48	2	4	2	1/5	115/60/1	5-15P	8 Foot	48.75" x 25.875" x 42.24"
Glass Door								
BB-2G-48	2	4	2.88	1/5	115/60/1	5-15P	8 Foot	48.75" x 25.875" x 42.25"



PRODUCT DATA SHEET

RESOURCES

