

Project: _____	AIA# _____
Item #: _____ Qty: _____	SIS# _____
Model #: _____	

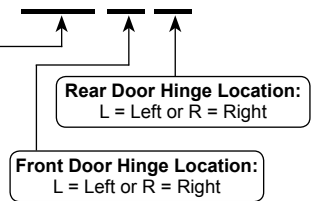
## Countertop Merchandiser



CM24XS-RR

### CM24 -

**Door Style:**  
 SS = Stainless Front and Back Door  
 SX = Stainless Front and Glass Back Door  
 XS = Glass Front and Stainless Back Door  
 XX = Glass Front and Back Door



### Standard Features

- Self-contained forced air refrigeration system for uniform cooling of product
- Automatic condensate evaporator
- Digital thermostat with automatic defrost
- All stainless steel interior construction
- Stainless steel exterior construction with galvanized steel bottom
- Eco friendly foamed-in-place insulation has zero impact on global warming or ozone depletion
- Removable condenser air inlet filter for easy cleaning
- Nine-foot grounded cord and plug provided
- Available with the following door configurations:
  - Two stainless steel doors
  - One glass door with stainless steel frame and one stainless steel door
  - Two glass doors with stainless steel frame
- LED interior lights with on/off switch
- Available with 4" adjustable legs for countertop installation



**Intertek**  
 EP 5016978  
 Energy Performance  
 Verified / Rendement  
 Énergétique Vérifié



**Intertek**  
 4004503  
 Conforms to NSF/ANSI STD 7  
 and UL STD 471  
 Certified to CSA STD C22.2 No. 120  
 Meets NSF 7 requirements for open food  
 as a storage refrigerator



**Intertek**

### Specifications

#### Electrical

- 120V, 1 phase, 60 Hz, 2.5 full load amps
- Separate 15 amp circuit is required
- Includes a 9-foot NEMA 5-15P grounded cord



#### Refrigeration

- 1/8 HP, R290 refrigerant, 4.25 oz
- 850 BTUH refrigeration capacity (0.07 tons)
- 1,023 BTU/hr heat rejection

#### Plumbing

- Automatic condensate evaporator. No drain connection required.

#### Capacity

- Interior Dimensions: 21"W x 23"H x 17"D
- 4.7 cubic feet of storage space

#### Operating Range

- 34°F (1°C) to 40°F (4°C)

#### Shelving

- Two adjustable coated shelves included

#### Legs (Optional)

- 4" adjustable legs

#### Materials

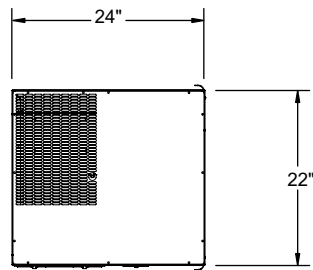
- Stainless steel parts include: interior, doors, and exterior front, sides and top
- Galvanized steel parts include: condensing unit floor and exterior bottom

<b>Glastender, Inc.</b> • 5400 N Michigan Rd • Saginaw, MI • 48604-9780 989.752.4275 • 800.748.0423 • Fax 989.752.4444 <a href="http://www.glastender.com">www.glastender.com</a>	Approval/Notes:
---	-----------------

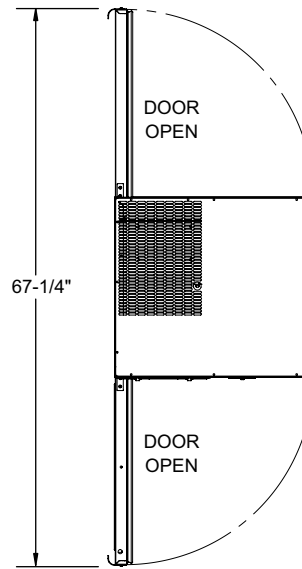
Specifications subject to change without notice. For current specifications please visit our website.

# Countertop Merchandiser

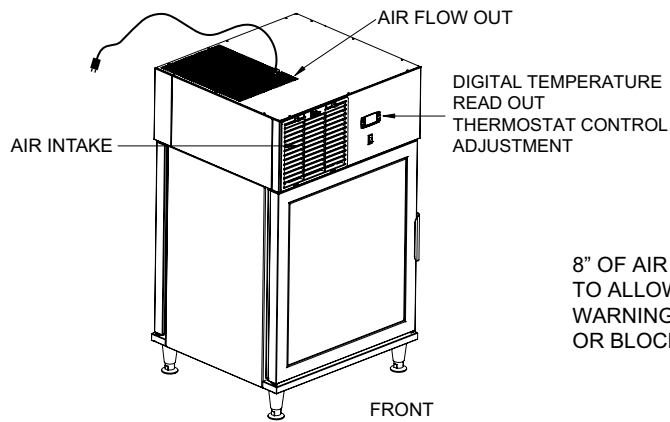
## Dimensional Information



FRONT

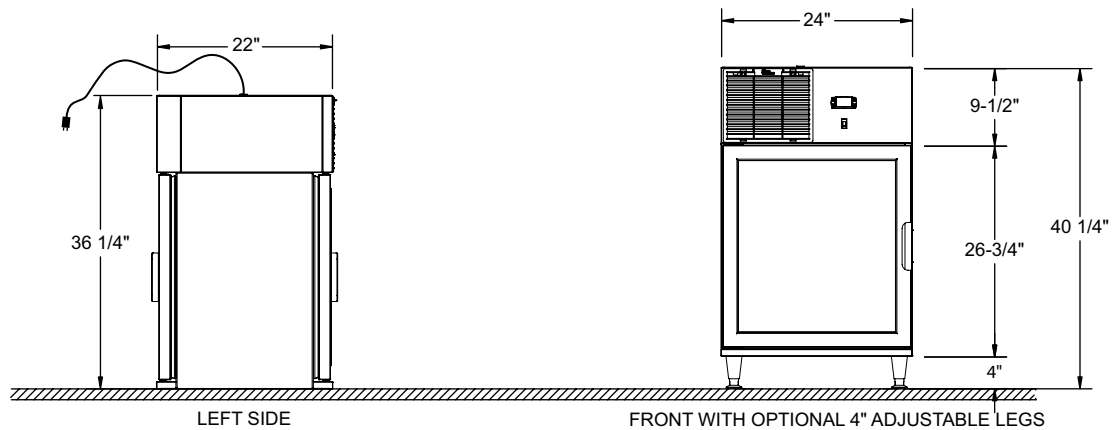


## PLAN VIEWS



8" OF AIR SPACE IS REQUIRED ABOVE UNIT TO ALLOW FOR AIR FLOW OUT  
WARNING: COMPRESSOR FAILURE DUE TO RESTRICTION OR BLOCKAGE OF AIR FLOW WILL VOID WARRANTY.

## ISOMETRIC VIEWS



## ELEVATION VIEWS



5400 N Michigan Rd • Saginaw, MI • 48604-9780  
989.752.4275 • 800.748.0423 • Fax 989.752.4444  
www.glastender.com

Printed in USA