

**ADA Compliant**

*This Space for Architect/Engineer Approval*

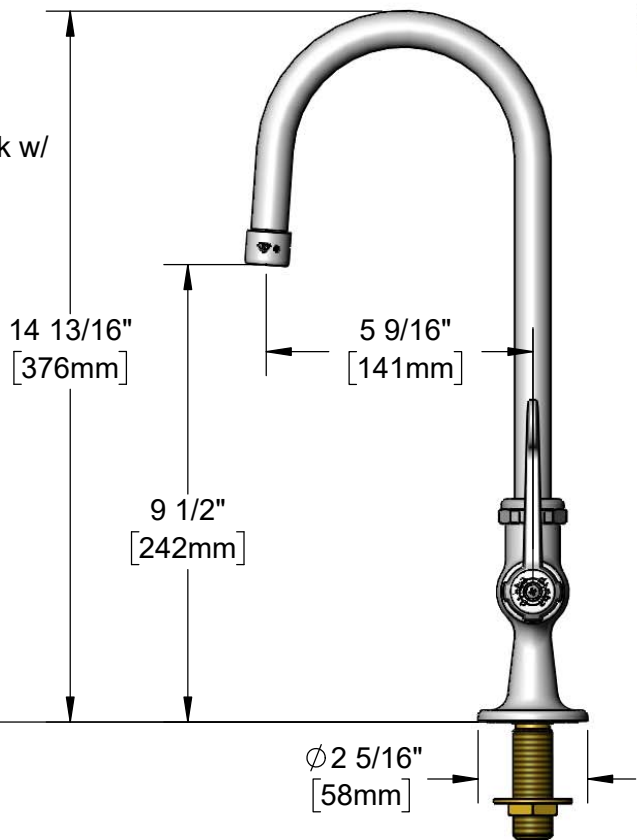
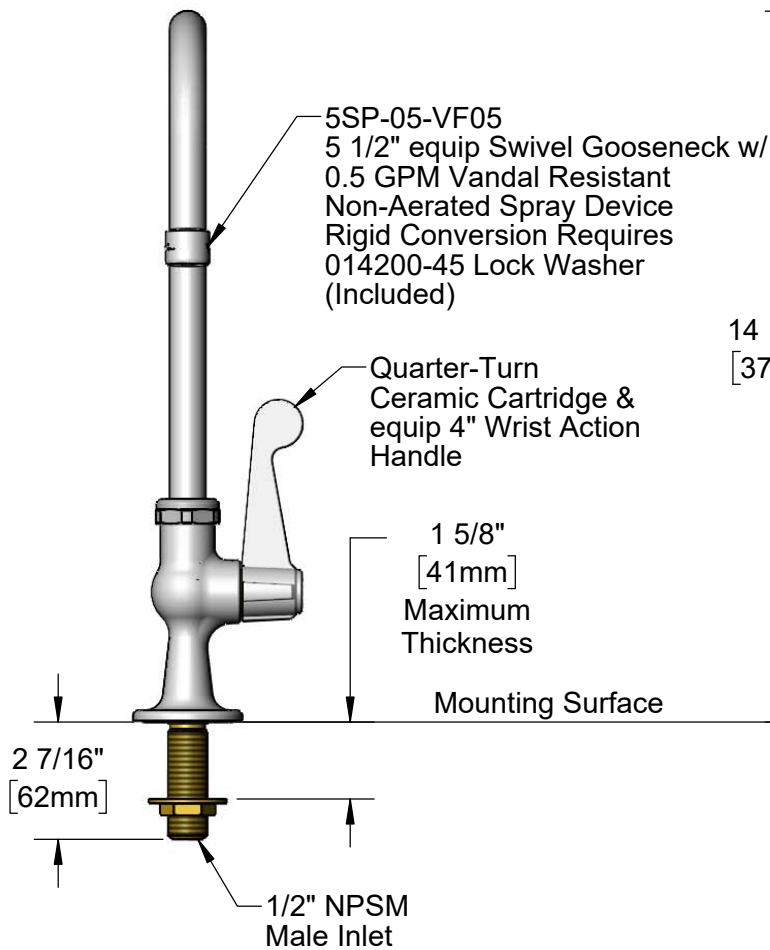
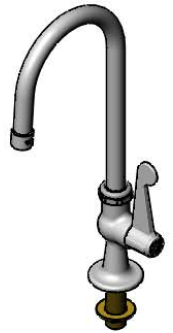
Job Name \_\_\_\_\_ Date \_\_\_\_\_

Model Specified \_\_\_\_\_ Quantity \_\_\_\_\_

Customer/Wholesaler \_\_\_\_\_

Contractor \_\_\_\_\_

Architect/Engineer \_\_\_\_\_



Rough-In Requirement:  
 Ø 1" [25mm] Mounting Hole

Model Number  
**5F-1SWX05-VF05**

Product Specifications:  
 Single Supply Deck Mount Faucet w/ Quarter-Turn Ceramic Cartridge, equip 4" Wrist Action Handle, 5 1/2" equip Swivel Gooseneck w/ 0.5 GPM Vandal Resistant Non-Aerated Spray Device & 1/2" NPSM Male Inlet

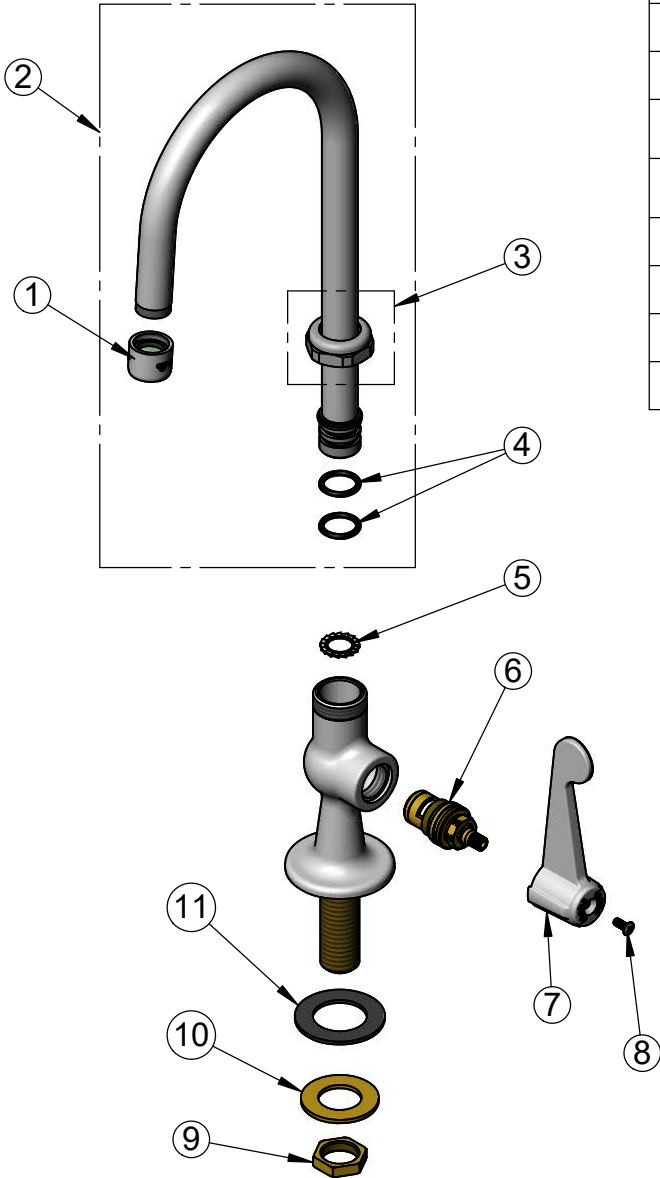
Product Compliance:  
 ASME A112.18.1 / CSA B125.1  
 NSF 61 - Section 9  
 NSF 372 (Low Lead Content)  
 ANSI A117.1 (ADA)

equip Foodservice Accessories

by

2 Saddleback Cove, P.O. Box 1088  
 Travelers Rest, South Carolina 29690  
 Phone: 800.891.4808 Fax: 800.868.0084  
 equip.tsbrass.com

ITEM NO.	SALES NO.	DESCRIPTION
1	5F-VF05	0.5 GPM Non-Aerated VR Outlet Device, 3/4-27 Female
2	5SP-05-VF05	5 1/2" equip Swivel Gooseneck w/ 0.5 GPM VR Non-Aerated Spray Device
3	013839-25	equip Swivel Nut
4	013848-45	O-Ring
5	014200-45	Star Washer, Anti-Rotation
6	013787-45	equip, Quarter-Turn Ceramic Cartridge, RTC
7	5-HDL-W	equip 4" Wrist Action Handle w/ Color Coded Screws
8	013849-45	Screw, 4mm Metric (10)
9	002954-45	Shank Lock Nut
10	000999-45	Brass Lock Washer
11	014612-45	Deck Seal



Model Number

**5F-1SWX05-VF05**

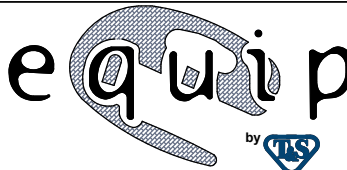
Product Specifications:

Single Supply Deck Mount Faucet w/ Quarter-Turn Ceramic Cartridge, equip 4" Wrist Action Handle, 5 1/2" equip Swivel Gooseneck w/ 0.5 GPM Vandal Resistant Non-Aerated Spray Device & 1/2" NPSM Male Inlet

Product Compliance:

ASME A112.18.1 / CSA B125.1  
NSF 61 - Section 9  
NSF 372 (Low Lead Content)  
ANSI A117.1 (ADA)

equip  
Foodservice  
Accessories



2 Saddleback Cove, P.O. Box 1088  
Travelers Rest, South Carolina 29690  
Phone: 800.891.4808 Fax: 800.868.0084  
equip.tsbrass.com