



Your Solutions Partner

Specifications

F.O.B. Sedalia, Missouri 65301



613-G4

(shown with optional casters)

OPTIONS:

- Stainless steel interior
- Stainless steel back enclosure panel
- Seismic feet
- Common gas manifold
- 48" flexible disconnect, w/restraining device
- Down draft hood
- Flue deflector
- Casters
- Double stack—shipped assembled
- Extra deep oven racks
- Prison package—tamper proof screws, lexan hinged cover with lockable clasp
- Extended warranty

Approval Stamp(s):

PRODUCT INFORMATION:

PROJECT: _____

ITEM: _____

QUANTITY: _____

MODEL:

Duke Convection Ovens Double Deck—Deep Depth—Gas

- 613-G4 Double deck, deep depth

STANDARD FEATURES

- 6 racks/13 rack positions
- Porcelain interior finish
- 65/35 stainless steel dependent doors - chain driven
- Double pane glass in 65 door
- 8" angular painted legs/adjustable feet
- 2 speed motor

OVEN SECTION

- Stainless steel front, sides and top
- 1 1/2" insulation on bottom, sides and back
- 3" insulation on top
- Interior Lights

BURNER SYSTEM

- 46,000 BTU - each oven
- High output atmospheric burner
- Main gas shut off valve system
- Built-in gas regulator

OVEN CONTROLS

- "V"—Basic snap action thermostat (200°-500°F), 60 minute electric dial timer with continuous sound buzzer, 2-speed fan
- "XX"—Solid state digital time and temperature controls, 12-hour countdown timer, **Cook and Hold** feature, 2-speed fan, Pulse fan capability

DUKE MANUFACTURING CO.
 2305 N. Broadway
 St. Louis, MO 63102
 800.735.3853 Toll Free
 314.231.5074 Fax
 www.dukemfg.com
 SS-1073-613 G4-Double-Deep-Gas

Specification subject to change

 **WARNING** For CA residents: go to www.dukemfg.com/prop65 for prop 65 warning

Certifications

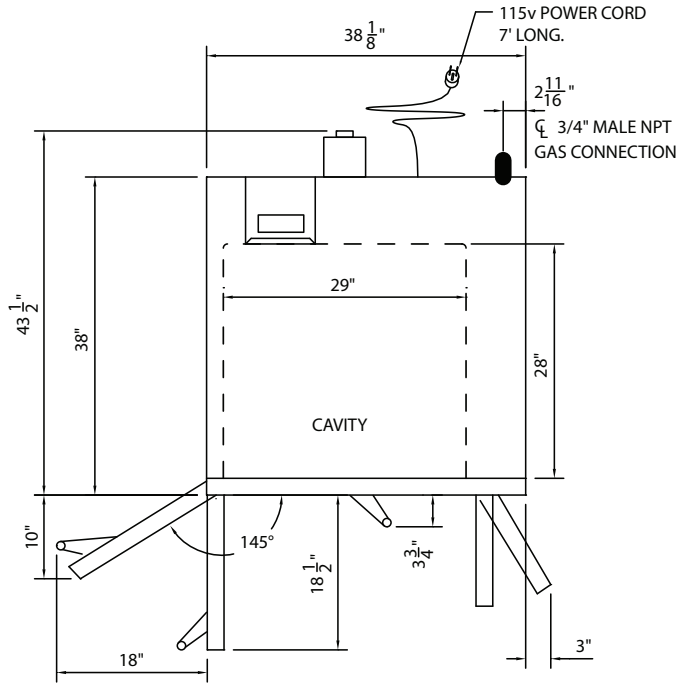


DUKE CONVECTION OVENS

DOUBLE DECK—GAS—DEEP DEPTH

A.I.A. File No. 35-C-13

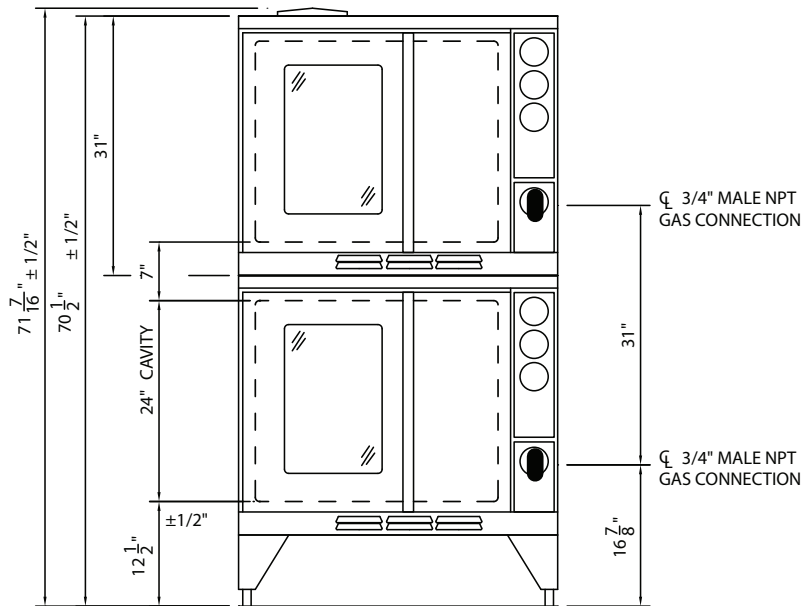
Catalog No. DCO-GASDD



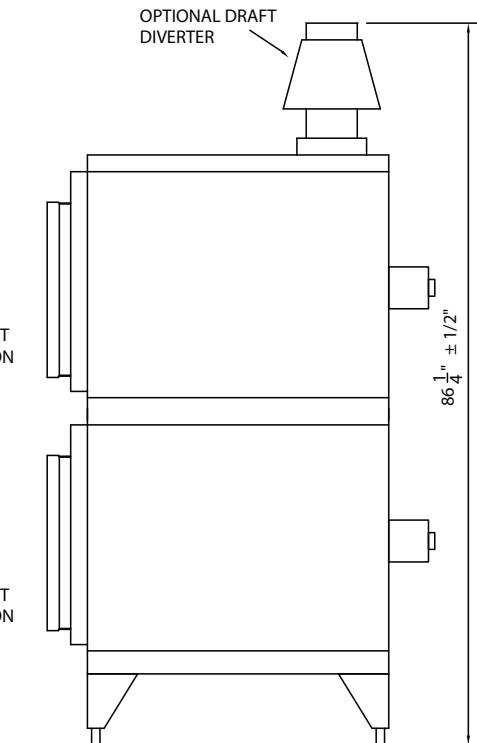
TOP VIEW

Gas Specifications		
613-G4	BTU/Hour	46,000
Regulated gas pressure required 3.5"WC natural /10" WC propane		
Combustible surface clearance - 1" side, 1" rear, 6" floor		
● Gas connection		
3/4" Gas connection		
Electrical requirements: 3.5 Amps/ 115V		
Standard 115V units supplied with 5' cord and plug		

Specify gas type
Specify altitude over 2000 feet



FRONT VIEW



RIGHT SIDE VIEW

DIMENSIONS:

Freight Class: 85

Model	Height		Width		Depth		Cube ft. crated	Weight	
	in.	cm	in.	cm	in.	cm		lbs.	kg
613-G4	70.5	179.1	38	96.5	43.5	110.5	76.5	1080	491.0

DUKE CONVECTION OVENS- DOUBLE - DEEP DEPTH - GAS



Duke Manufacturing Co.
2305 N. Broadway
St. Louis, MO 63102

Phone: 314-231-1130
Toll Free: 1-800-735-3853
Fax: 314-231-5074

www.dukemfg.com