

# SIMPLICITY™ BUBBLER® R290

## TWIN STANDARD

Project

Date

Models

**CS-2D-16-290**

**CS-2D-22-290**

Item #

Quantity



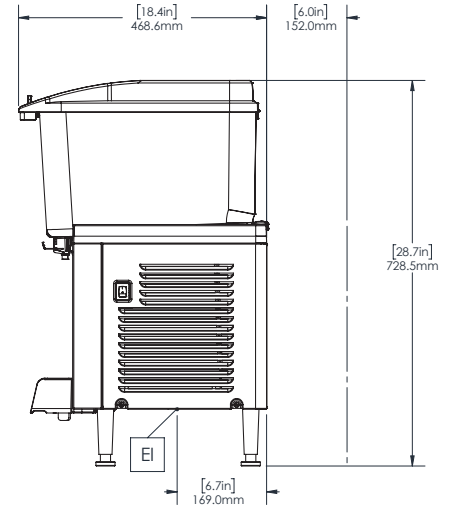
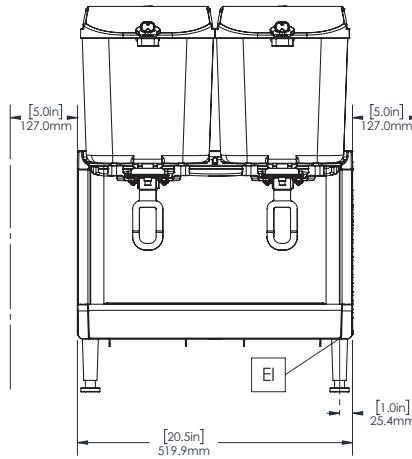
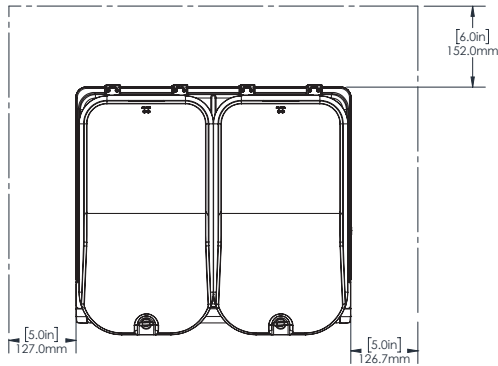
**Model CS-2D-16-290**

## Features

- Premix dispenser with stainless steel base and clear plastic, easy-clean bowls.
- Models available with polycarbonate bowl or BPA free bowl.
- Dispenses 2 flavors in (2) 4.75 gallon (18 L) bowls.
- Agitation model for fresh juices, coffees, or teas with minimal foaming system.
- Unique to Simplicity, the air intakes from the bottom and exhausts to back. This efficient cooling uses less energy and saves money.
- Compact size of 20.4" (52 cm) wide saves valuable counter space.
- Heavy product Dispense Valve standard on Simplicity Bubblers, perfect for lemonades and horchatas.
- Interchangeable bowls: two 2.4 gallon (9 L) bowls can be replaced with a 4.75 gallon (18 L) bowl, and vice versa.
- New easy-off bowl release system means no more reaching into the bowl. Makes cleaning easier and reduces labor.
- Locking lid provides enhanced safety for operators.
- 9" (22.9 cm) cup clearance for a variety of drinks.
- Dispenses product till the very last drop.
- Fewer removable parts to simplify cleaning and reduce maintenance.
- Temperature range from 35 - 41° F (1.7 - 5° C).

# SIMPLICITY™ BUBBLER® R290

## TWIN STANDARD



**Model CS-2D**  
represented



MODEL	DESCRIPTION	ELECTRICAL	PRODUCT DIMENSIONS (H X W X D)	SHIP DIMENSIONS (H X W X D)	SHIP WEIGHT IN TWO BOXES
<b>CS-2D-16-290*</b> Base: (LV606590) Bowl: (LV606612)	(2) 4.75 gallon (18 L) bowls Polycarbonate bowl	120V 60 Hz 3.5A	27.5" x 20.5" x 18.5" (70 cm x 52 cm x 47 cm)	Base: 20.8" x 19" x 24.8" (53 cm x 48 cm x 63 cm) Bowl: 25.6" x 22.4" x 12.2" (65 cm x 57 cm x 31 cm)	Total: 95 lbs. (43 kg) Base: 77 lbs. (35 kg) Bowl: 18 lbs. (8 kg)
<b>CS-2D-16-290*</b> Base: (LV606590) Bowl: (LV606615)	(2) 4.75 gallon (18 L) bowls BPA free bowl	120V 60 Hz 3.5A	27.5" x 20.5" x 18.5" (70 cm x 52 cm x 47 cm)	Base: 20.8" x 19" x 24.8" (53 cm x 48 cm x 63 cm) Bowl: 25.6" x 22.4" x 12.2" (65 cm x 57 cm x 31 cm)	Total: 95 lbs. (43 kg) Base: 77 lbs. (35 kg) Bowl: 18 lbs. (8 kg)
<b>CS-2D-22-290*</b> Base: (LV606595) Bowl: (LV606612)	(2) 4.75 gallon (18 L) bowls Polycarbonate bowl	220-240V 50/60 Hz 2.5A	27.5" x 20.5" x 18.5" (70 cm x 52 cm x 47 cm)	Base: 20.8" x 19" x 24.8" (53 cm x 48 cm x 63 cm) Bowl: 25.6" x 22.4" x 12.2" (65 cm x 57 cm x 31 cm)	Total: 95 lbs. (43 kg) Base: 77 lbs. (35 kg) Bowl: 18 lbs. (8 kg)
<b>CS-2D-22-290*</b> Base: (LV606595) Bowl: (LV606615)	(2) 4.75 gallon (18 L) bowls BPA free bowl	220-240V 50/60 Hz 2.5A	27.5" x 20.5" x 18.5" (70 cm x 52 cm x 47 cm)	Base: 20.8" x 19" x 24.8" (53 cm x 48 cm x 63 cm) Bowl: 25.6" x 22.4" x 12.2" (65 cm x 57 cm x 31 cm)	Total: 95 lbs. (43 kg) Base: 77 lbs. (35 kg) Bowl: 18 lbs. (8 kg)

**\*Electrical:** NEMA 5-15P line cord included.

**Refrigeration:** R290 refrigerant, 1/8 hp compressor.

**Note:** Product Dimension Height includes 4" (10 cm) legs.

### OPTIONS

**Liquid Autofill** Available Q1 2024

Grindmaster™ 4003 Collins Lane, Louisville, KY 40245 USA

Tel: +1.502.425.4776 / 800.695.4500 (USA & Canada only) • Fax: +1.502.425.4664 • www.grindmaster.com

© 2021 Grindmaster™ PRINTED IN USA | 0621 Form # CC-956-05