

Project: \_\_\_\_\_

Item: \_\_\_\_\_

Quantity: \_\_\_\_\_

## Wall Shelf - Bus Tub



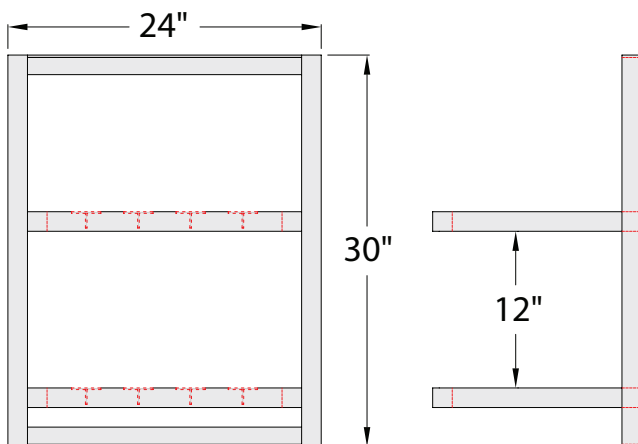
98142

Providing support for bus tubs, this wall-mounted shelf can be installed adjacent to dish machines, sinks or bus stations to streamline dish cleanup. It's made of heavy-duty aluminum that supports the weight of bus tubs and has slatted shelves that allow liquid to drain away freely and air to circulate.

- Constructed of Primary Grade Aluminum.
- Each shelf is constructed of 2¼" x 1¼" x .100" T-Bar.
- Frame is constructed of 1½" x 1½" x .070" tube.
- Five-Year Guarantee against material defects and workmanship.
- Lifetime Guarantee against rust and corrosion.

### ► Bus Tub Wall Shelf

| Model No. | Size W-H-D      | Number Of Tiers | Shelf Clearance | Ship Lbs. |
|-----------|-----------------|-----------------|-----------------|-----------|
| 98272     | 24" x 30" x 16" | 2               | 12"             | 22        |
| 98301     | 36" x 30" x 16" | 2               | 12"             | 24        |
| 98213     | 48" x 30" x 16" | 2               | 12"             | 35        |
| 98142     | 60" x 30" x 16" | 2               | 12"             | 45        |



**Weight Capacity = Determined by installation method and type of wall**



New Age Industrial Corp., Inc. || [NewAgeIndustrial.com](http://NewAgeIndustrial.com) || Made in the USA

PO Box 520 • 16788 US Hwy 36 • Norton, Kansas 67654 || Phone: (800) 255-0104 • (785) 877-5121 || Fax: (877)-877-7687 • (785) 877-2616

This information is for general sales and engineering use only. New Age Industrial reserves the right to modify or make changes at any time, without notice, to materials and specifications.