



WARMING DISPLAYS

CONCEPT

COUNTER TOP SELF-SERVICE WARMING DISPLAY

Panoramic and illuminated full size warming display

- Ventilated fire stone heating system: 68°-194°F
- Precise control of temperature with electronic thermostat
- Humidity water pan to keep products moist and delicious
- LED lighting system (6500°K)
- Hinged glass doors open to angle of 180° on server side
- Hinged horizontal self service doors (2) on customer side
- Fixed glass sides and top
- Fire Brick heat sync for fast heat recovery
- Black exterior and stainless steel interior construction



*shown with optional slanted shelves and front stop

FEATURES:

- Electronic thermostat
- On/Off switch, switch for air circulation
- Water container
- Wire shelves (2)

OPTIONS:

- (2) sets of Slanted Shelf Brackets with front stop to support (2) shelves (SL)

EASY CLEANING:

- Shelves and brackets, bottom tray, water pan and fire stone are completely removeable

PANORAMA - SELF-SERVICE

WD780B-2/1-SS
120V



OPERATOR VIEW

*shown with optional slanted shelves and front stop



CUSTOMER VIEW

*shown with optional slanted shelves and front stop



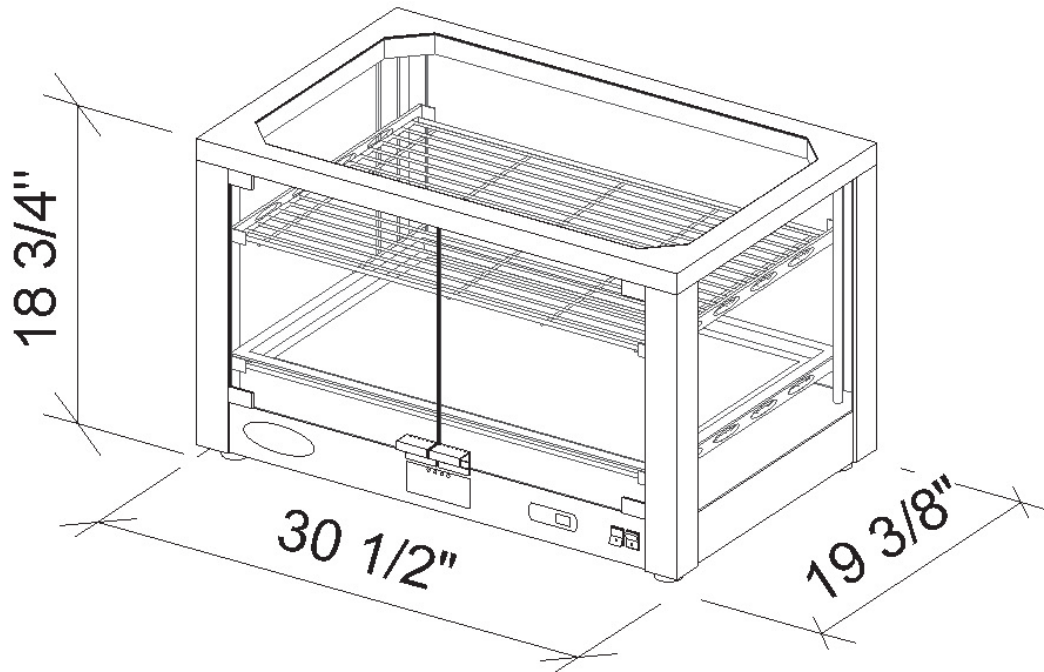
100 NIAN TIC AVENUE; SUITE 104 PROVIDENCE, RI 02907
TEL: (401)273-3300 FAX: (401) 273-3328 E-mail: sales@equipex.com
www.equipex.com





COUNTERTOP SELF-SERVICE WARMING DISPLAY

WD780B-2/1-SS



SPECIFICATIONS

INSTALLATION CLEARANCE; 2" EACH SIDE AND BACK

MODEL	EXTERIOR FINISH	NUMBER OF SHELVES	CAPACITY (PANS NOT INCLUDED)	ELECTRICAL	OUTSIDE DIMENSIONS L x D x H	INSIDE DIMENSIONS L x D x H	SHIPPING WEIGHT	NEMA PLUG
WD780B-2/1-SS	BLACK	2	(4) HALF SIZE OR (2) FULL SIZE SHEET PANS	120V, 1.75KW 15 Amps	30½" x 19⅝" x 18¾"	29½" x 18¼" x 13⅜"	140 lbs	5 - 15P

WARRANTY: Limited one year parts and labor. For service, please call 800-679-7885 EXT. 240



100 NIAN TIC AVENUE; SUITE 104 PROVIDENCE, RI 02907
 TEL: (401)273-3300 FAX: (401) 273-3328 E-mail: sales@equipex.com
 www.equipex.com