



T&S BRASS AND BRONZE WORKS, INC.

2 Saddleback Cove / P.O. Box 1088
Travelers Rest, SC 29690

Model No.

B-1172-01

Item No.

Travelers Rest, SC: 800-476-4103 • Simi Valley, CA: 800-423-0150 • Fax: 864-834-3518 • www.tsbrass.com

This Space for Architect/Engineer Approval

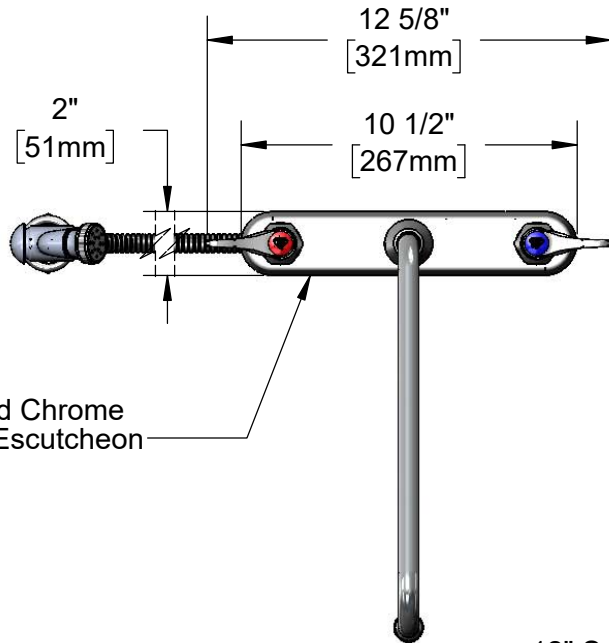
Job Name _____ Date _____

Model Specified _____ Quantity _____

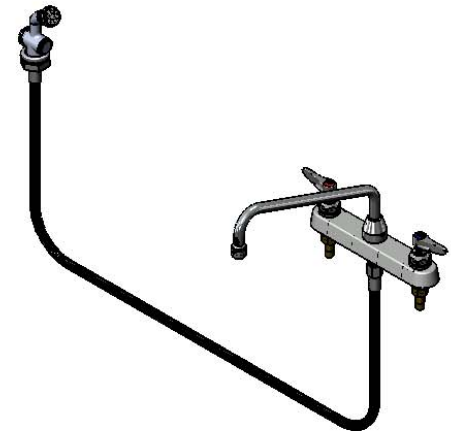
Customer/Wholesaler _____

Contractor _____

Architect/Engineer _____



Polished Chrome Plated Escutcheon



Quarter-Turn Eterna Cartridges w/ Spring Checks & Lever Handles w/ Color Coded Indexes

12" Swing Nozzle w/ B-0199-01 2.2 GPM Aerator

3 5/16" [84mm]
Spray Valve

360° Swivel Piece

B-KF Deck Flange

1" [26mm]

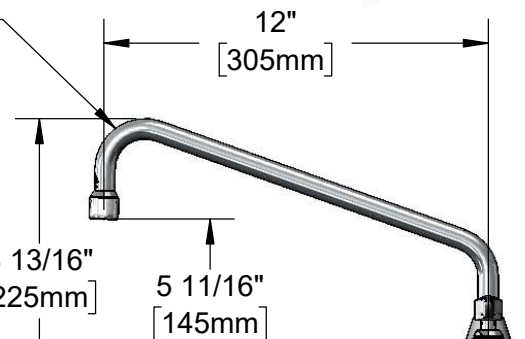
Mounting Surface

1" [25mm]

1/2" NPT Male Inlets

96" Flexible Stainless Steel Hose

8" [203mm]



1/8" [3mm] Maximum Thickness

(2) 150A Optional Tailpieces & Nuts for 1/4" NPT Connection (Included)

Rough-In Requirement:

Faucet: (3) ϕ 1" [25mm] Mounting Holes

Deck Flange: (1) ϕ 1 9/16" [40mm] Mounting Hole

Product Specifications:

8" Deck Mount Workboard Mixing Faucet, Quarter-Turn Eterna Cartridges w/ Spring Checks, Lever Handles, 12" Swing Nozzle, 2.2 GPM Aerator, 96" Flexible Stainless Steel Hose, Spray Valve, Deck Flange & 1/2" NPT Male Inlets

Product Compliance:

ASME A112.18.1 / CSA B125.1
NSF 61 - Section 9
NSF 372 (Low Lead Content)



T&S BRASS AND BRONZE WORKS, INC.

2 Saddleback Cove / P.O. Box 1088
Travelers Rest, SC 29690

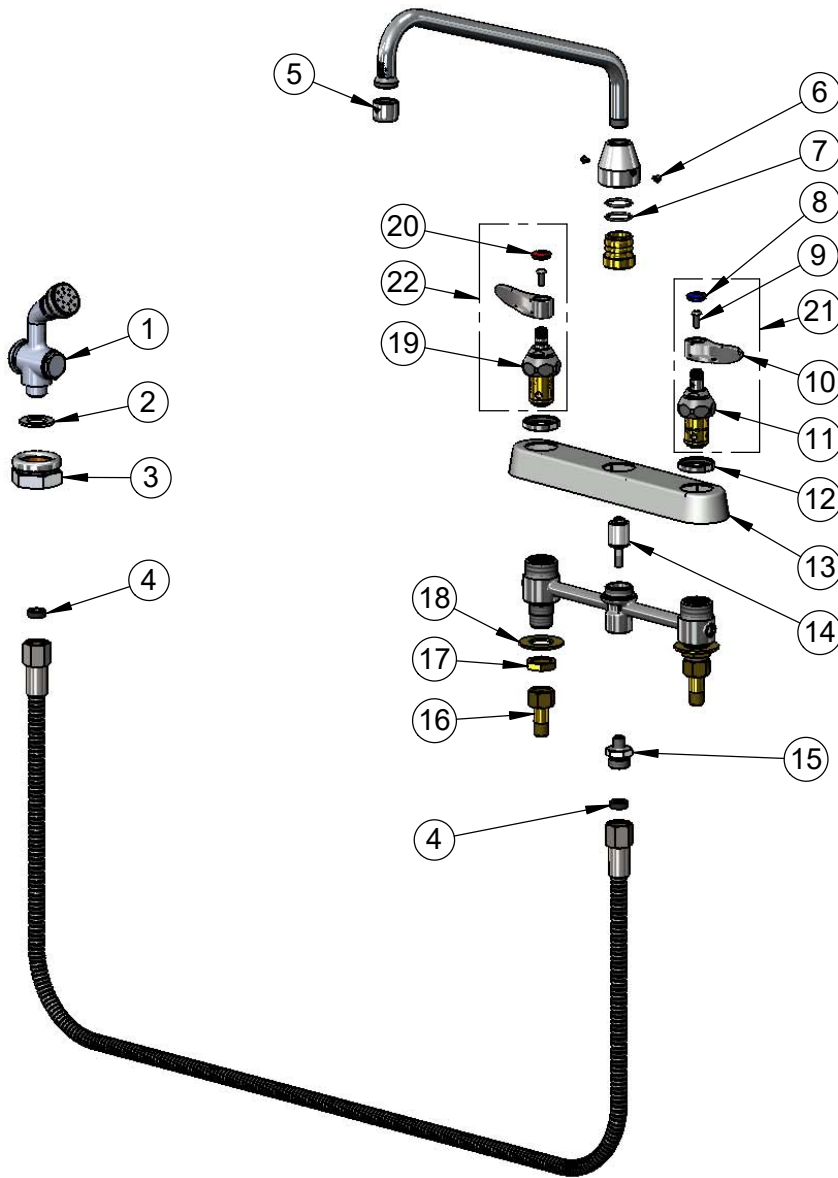
Model No.

B-1172-01

Item No.

Travelers Rest, SC: 800-476-4103 • Simi Valley, CA: 800-423-0150 • Fax: 864-834-3518 • www.tsbrass.com

| ITEM NO. | SALES NO. | DESCRIPTION |
|----------|-------------|--|
| 1 | 002857-40 | Spray Valve Assembly |
| 2 | 001010-40 | Washer, Stainless Steel |
| 3 | B-KF | Protective Flange |
| 4 | 010476-45 | #27 Washer |
| 5 | B-0199-01 | 2.2 GPM Aerator, 55/64"-27 UN Female |
| 6 | 001486-45 | Diverter Cover Screw |
| 7 | 006562-45 | O-Ring |
| 8 | 018506-19NS | Blue Button Index, Press-in |
| 9 | 000925-45 | Lab Handle Screw |
| 10 | 001638-45NS | Lever Handle (New Style) |
| 11 | 012442-40NS | Quarter-Turn Eterna Cartridge w/ Spring Check, LTC |
| 12 | 019376-40 | Escutcheon Lock Nut |
| 13 | 019375-40 | B-1120 Eterna Workboard Escutcheon |
| 14 | 002338-45 | Valve Diverter Piston |
| 15 | 000542-25 | 1/8" NPT x 3/4-14 Male Adapter |
| 16 | 150A | 1/4" NPT Tailpiece & Nut |
| 17 | 002954-45 | Shank Lock Nut |
| 18 | 000999-45 | Brass Lock Washer |
| 19 | 012443-40NS | Quarter-Turn Eterna Cartridge w/ Spring Check, RTC |
| 20 | 001193-19NS | Red Button Index, Press-in |
| 21 | 002711-40NS | Quarter-Turn Eterna Cartridge w/ Spring Check, Handle, Blue Index & Screw, LTC |
| 22 | 002712-40NS | Quarter-Turn Eterna Cartridge w/ Spring Check, Handle, Red Index & Screw, RTC |



Product Specifications:

8" Deck Mount Workboard Mixing Faucet, Quarter-Turn Eterna Cartridges w/ Spring Checks, Lever Handles, 12" Swing Nozzle, 2.2 GPM Aerator, 96" Flexible Stainless Steel Hose, Spray Valve, Deck Flange & 1/2" NPT Male Inlets

Product Compliance:

ASME A112.18.1 / CSA B125.1
NSF 61 - Section 9
NSF 372 (Low Lead Content)