



# SIMPLESPEC

## DISHWASHER PANTLEG DUCT MODELS SSA-PANTLEG

This exhaust only condensate pantleg duct is designed to ventilate conveyor style dish machines 44" or 66" in length. Always check the dish machine spec sheet versus the SSA-PANTLEG spec for fit. Designed for Type II applications only.

**SHORT FORM SPEC:** Avtec SSA-PANTLEG series exhaust system, designed for use over 44" and 66" conveyor dish machines that include vent cowls. Includes stainless pantleg duct with single metal thickness offsets at bottom to fit dish machine vent cowl. Accessories to include ceiling trim ring shipped loose to adjust to ceiling height as needed.

### AVAILABLE MODELS:

- SSA-PANTLEG44 (for 44" Conveyor Dish Machines)
- SSA-PANTLEG66 (for 66" Conveyor Dish Machines)

### STANDARD FEATURES:

- All 18 gauge 201 stainless steel construction
- Ceiling trim ring
- Offset on bottom to fit 4"x16" dish machine vent cowl

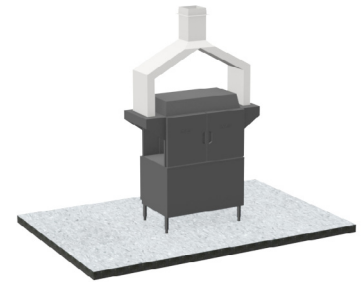
**SPECIFICATIONS:** This single thickness all welded Type II pantleg duct is constructed of 18GA 201 stainless steel, with fluid welding on all seams. Includes single metal thickness offset to fit vent cowl and stainless steel 10" x 10" trim ring for ceiling penetration shipped loose.

**ORIGIN OF MANUFACTURE:** Designed and manufactured in the United States.

Certifications:



PROJECT NAME:	
LOCATION:	
ITEM NO:	
QTY:	
MODEL NO:	
AIA NO:	
SIS NO:	
CSI SECTION:	11400



Model SSA-PANTLEG44 shown

### ADDITIONAL RESOURCES:

[Request A Quote](#)

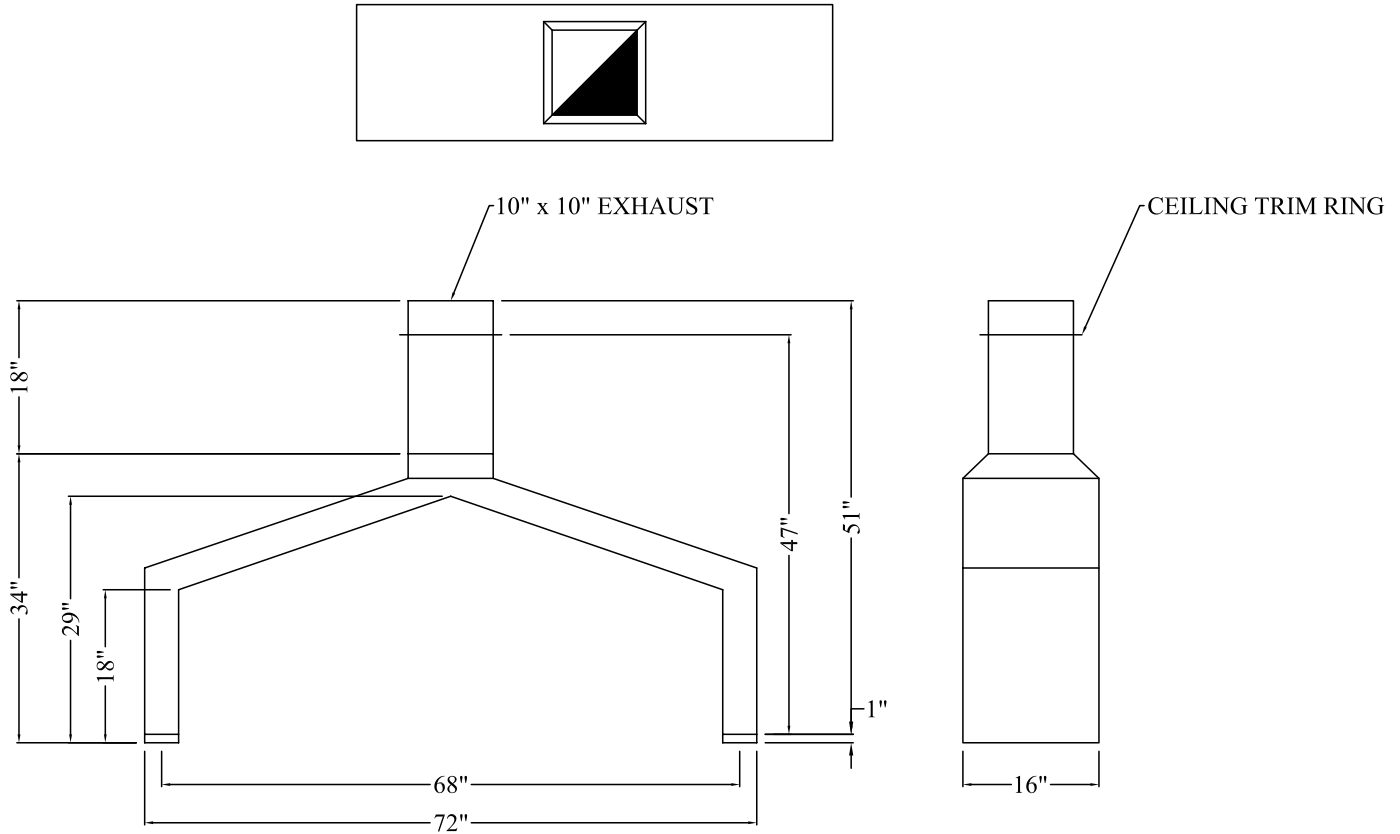
[Product Videos](#)

[Sales Tools](#)

[Find A Rep](#)

**SimpleSpec**  
**SP SHT2010 RevB**

01/21



MODEL	TYPE	DESCRIPTION
SSA-PANTLEG66	PANTLEG DUCT	Fits 66" Dish Machines, Offset on Bottom to Fit 4" x 16" Dish Machine Vent Cowl

