



HYPERSTEAM PRESSURELESS STEAMER

MODEL HY-6E

Steamer shall be a Groen Model HY-6E stainless steel pressureless steamer with twin atmospheric 9KW electric steam generators, for total power input of 18KW, per bulletin 140796, as follows.

PROJECT NAME:

LOCATION:

ITEM NO:

QTY:

MODEL NO:

AIA NO:

SIS NO:

CONSTRUCTION: Steamer cavities and cabinet base shall be all stainless steel construction. Steamer unit back, left side, top and front panels shall be a unitized body, with removable right side panel providing access to internal components. Steamer doors are all stainless steel, with strong continuous hinges and are field-reversible for left or right-swing. Doors shall be insulated and provided with a one-piece, replaceable seal. Easy-open handle and latch shall provide positive lock and seal when door is pushed or slammed shut. Hidden magnetic door switch cuts power to blower and cuts power to generator when the door is opened. Pan support racks shall be polished stainless steel and removable for easy cleaning. Wide drip sink with condensate drain is positioned under cavity doors. 21 5/8" wide cabinet base shall have stainless steel frame with removable front, side and back panels standard. Cabinet base shall be provided with 6" legs with adjustable bullet feet.

FINISH: Cabinet exterior, including door, shall be finished to a #3 uniform finish. Cavity interiors are polished stainless steel. Control panel face plates shall be smudge-resistant polyester film, ensuring maximum ease in cleaning and maintaining an attractive appearance.

UL & CUL LISTING: Steamer shall be UL and CUL listed.

SANITATION: Unit shall be designed and manufactured to meet NSF codes and be NSF-listed. Unit shall allow operator to delime each steam generator through access ports on top without tools or service call. Push button auto-delime is standard.

CONTROLS: Steamer cavity controls shall include an ON-OFF power touch pad; 60-minute electro-mechanical timer, with continuous steam setting; and READY light which indicates when cavity is ready for steaming. Auto-Delime button initiates delimiting cycle.

PERFORMANCE FEATURES: Each steamer cavity shall have a powerful side-mounted blower, which increases steam velocity and provides efficient steam distribution throughout cavity and between loaded pans.

Steam generators deliver 3KW input per 2 1/2" steam pan. Heat-up time to READY shall be 8-10 minutes, under normal conditions. Cavities are kept warm and ready for instant steam between loads. No cavity warm up required, after READY light comes on. DELIME indicator light warns operator of need to delime generator. Unit will shut off if water level is low. When power switch is turned off, unit automatically blows down the steam generator, to reduce sediment build-up.

CABINET BASE STEAM SOURCE:

Unit shall have twin electric-heated, cabinet-mounted steam generators to provide atmospheric steam to the chambers at a temperature of approximately 212° F. Each steam generator has an electric water sensor. Each 9KW electric heating element is replaceable from the front.

PAN CAPACITY:

Pan Size/Type	Per cavity	Total
12 x 20 x 1"	6	12
12 x 20 x 2 1/2"	3	6
12 x 20 x 4"	2	4

INSTALLATION: Unit requires 208, 240 or 480 Volt, single or three-phase electric service. Unit requires two 3/4" NH cold water supply line and 1 1/2" O.D. free venting drain. A second cold water connection is also provided for the spray condenser.

WATER SUPPLY REQUIREMENTS: To minimize service problems a PureSteam water treatment (softening) system is recommended when water quality is found to exceed limits stated below and in operator manual. Recommended MINIMUM water quality standards are: Total dissolved solids (TDS) content should have a value of 30 to 40 parts per million, and the water pH should be 7.0 to 9.0.

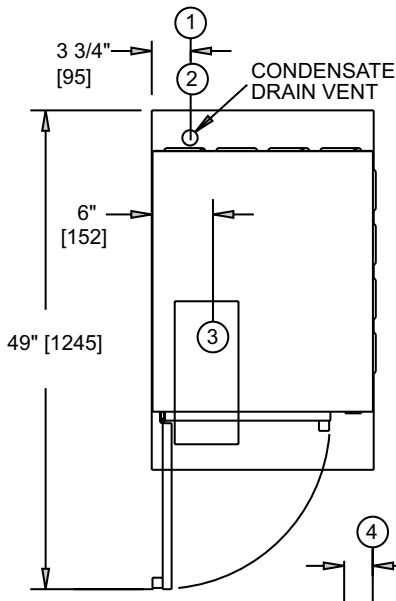
ORIGIN OF MANUFACTURE: Designed and manufactured in the United States.

6-Pan capacity stainless steel pressureless steamer, with twin electric atmospheric steam generators in cabinet base. (model HY-6E shown)

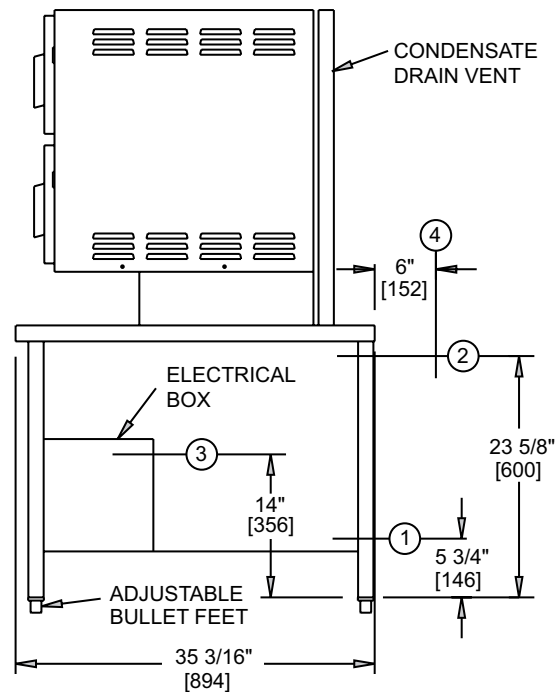
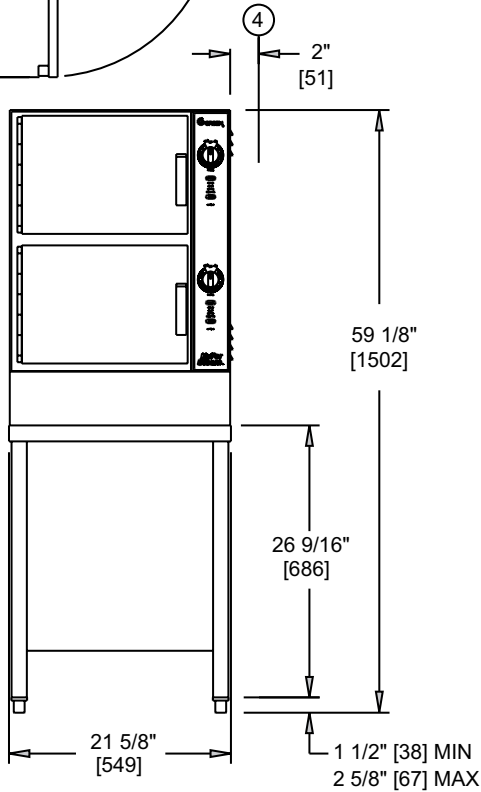




P/N 125791 REV B



VOLTAGE	PHASE	AMPS	MAX. KW
208	1	87	18
	3	50	18
240	1	75	18
	3	43	18
480	—	—	—
	3	22	18



SERVICE CONNECTIONS AND NOTES:

- ① DRAIN CONNECTION 1 1/2" TUBE (DRAIN FREE VENTING)
- ② COLD WATER SUPPLY AT 30 TO 60 PSIG WITH A FLOW RATE OF 1.50 - 3.00 GPM AND WITH A 3/4" NH CONNECTION.
- ③ ELECTRICAL CONNECTION 1" CONDUIT. SEE TABLE FOR REQUIREMENTS.
- ④ MINIMUM CLEARANCE REQUIRED: REAR = 6" [152], LEFT SIDE = 0" [0], RIGHT SIDE 2" [51]
- ⑤ DIMENSIONS IN BRACKETS [] ARE MM

