

## "UBS3C-21" UNDERBAR CORNER SINK

### 21" Width, 3 Compartment

#### FEATURES:

- 18GA Stainless Steel Construction
- Type 300 Stainless Steel With #4 Polish, Satin Finish
- Standard Pre-Drilled Holes On Sides For Attaching Adjacent Units Together
- Removable Faucet Plates With 4" On-Center Splash Mount Faucet Holes
- Removable Perforated Drainboard Inserts For Increased Air Circulation
- Creased Drainboards For Improved Drainage
- Stainless Steel Front To Back Bracing

#### SPECIFICATIONS:

- Top: 18GA Type 300 Stainless Steel
- Front Apron: 18GA Type 300 Stainless Steel
- Backsplash: 18GA Type 300 Stainless Steel
- Sides: 18GA Type 300 Stainless Steel
- Fabricated Sink Bowl: 14"x10"x10" Deep
- Fabricated Corner Sink Bowl: 14"x14"x10" Deep
- Bolt On 1-5/8" Stainless Steel Legs For Fast Installation
- 1-1/4" Front To Back Bracing
- 1" Adjustable Stainless Steel Bullet Feet
- Z-Clip To Mount To Wall
- Bolt To Adjacent Underbar Piece
- Mounting Options Allow For Flexible Installation
- Options To Remove Back Or Front And Back Legs For A Clean Installation
- 1-7/8" Drain With Basket
- 1-1/2" NPS Drain Connection



UBS3C-1848-2D18

#### CERTIFICATIONS:



#### ACCESSORIES

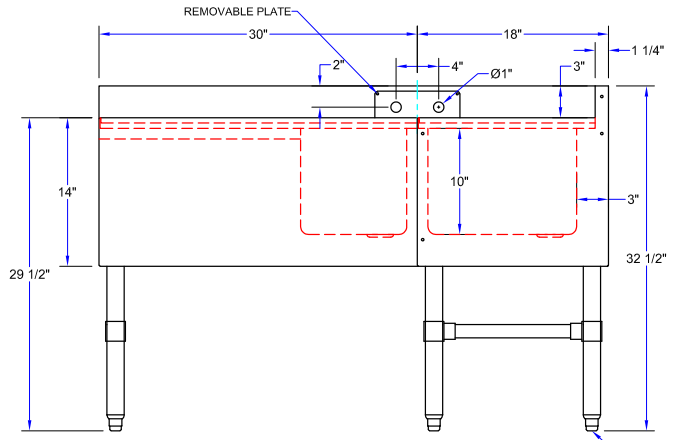
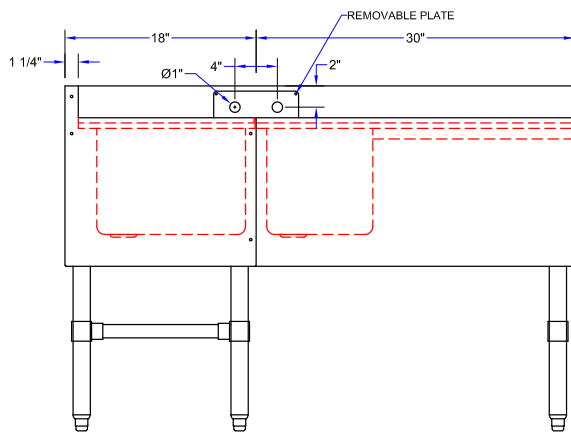
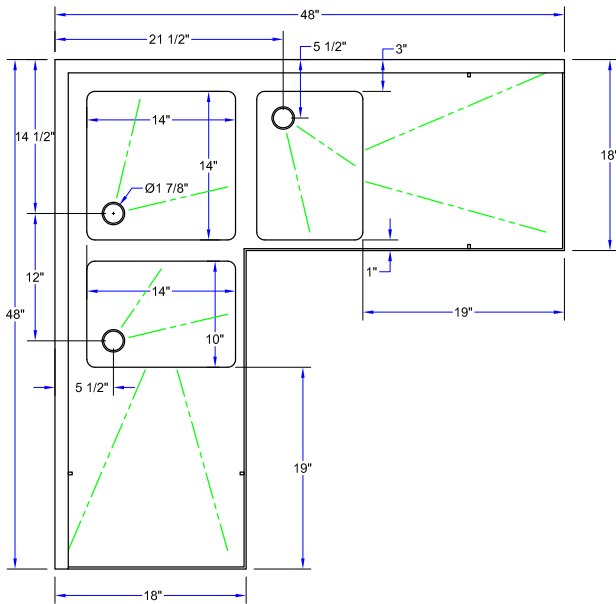
MODEL	DESCRIPTION
UBSS-21-L	Left Hand Side Splash
UBSS-21-R	Right Hand Side Splash
PBF-4SM2-10LF	Heavy Duty Faucet
PBF-W2-10LF	Economy Faucet
PB-WL-36	Flexible Shallow Mount Faucet Hoses

## "UBS3C-21" UNDERBAR CORNER SINK

MODEL	SIZE (LXWXH)	WEIGHT (LBS)
UBS3C-2148-2D18	48"x21"x32-1/2"	111

ALL DIMENSIONS ARE TYPICAL. TOLERANCE +/- .500". JOHN BOOS & CO. RESERVES THE RIGHT TO CHANGE SPECIFICATIONS WITHOUT NOTICE.

# DETAILED SPECIFICATIONS



## "UBS3C-21" UNDERBAR CORNER SINK

MODEL	SIZE (LXWXH)	WEIGHT (LBS)
UBS3C-2148-2D18	48"x21"x32-1/2"	111

ALL DIMENSIONS ARE TYPICAL. TOLERANCE +/- .500". JOHN BOOS & CO. RESERVES THE RIGHT TO CHANGE SPECIFICATIONS WITHOUT NOTICE.