

APPLICATION:

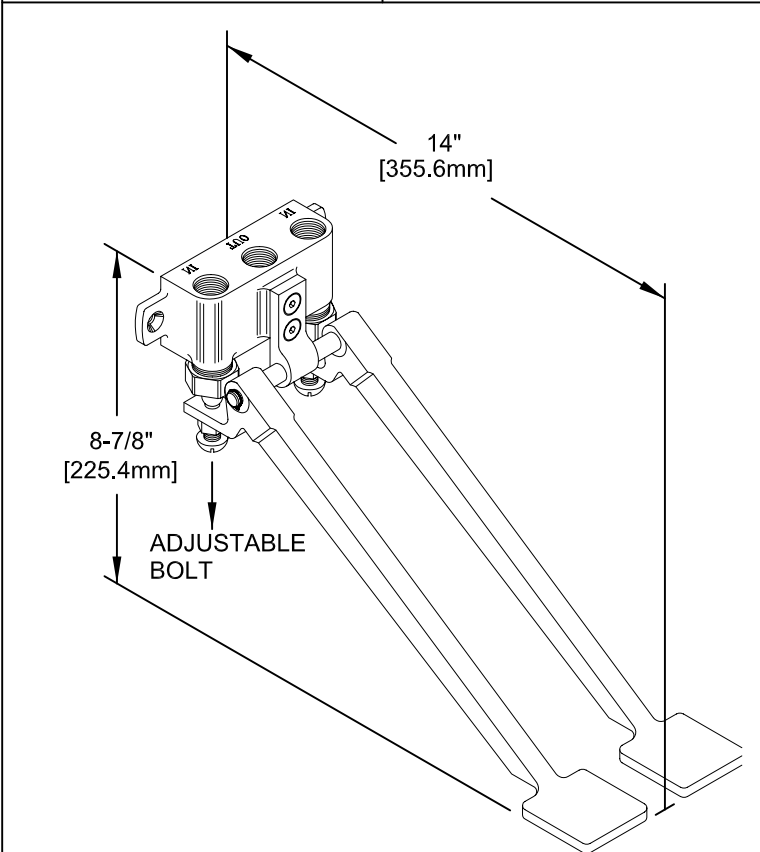
JOB NAME:

QUANTITY: ITEM NO.

PRODUCT NAME:
DOUBLE PEDAL CONTROL VALVE WALL MOUNT

_____ SPECIAL CONFIGURATION
CHECK BASE MODEL AND OPTIONS

MODEL:
 3176



OPTIONS OR MODIFICATIONS:

SUPPLY LINES (24" OR 36") CIRCLE LENGTH

NIPPLES

ELBOWS

HANDLES (CROSS OR WRIST) CIRCLE STYLE

VANDAL RESISTANT KIT

OTHER _____

FEATURES

- * PEDAL ANODIZED ALUMINUM
- * CYLINDER CLOSERS WITH WATER FLOW
- * POLISHED CHROME

RECOMMENDED SETTINGS

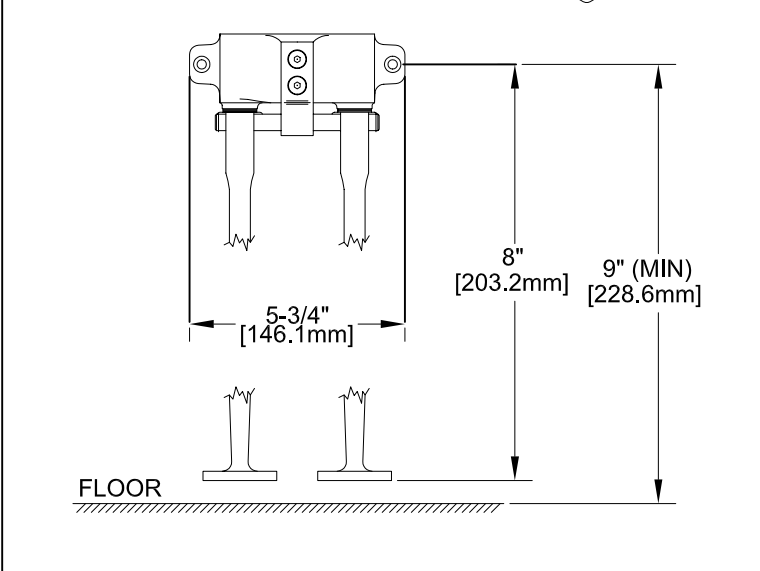
- * 110°F AT 80 PSI

SYSTEM LIMITS

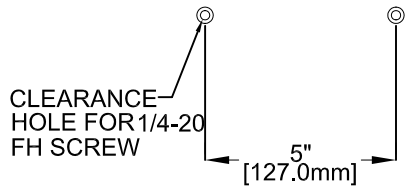
- * TEMP: 40°F MIN. TO 140°F MAX.
- * PRESSURE 200 PSI MAX. STATIC

SHIPPING WEIGHT

- * 4.0 LBS



ROUGH-IN:



ANSI/A112.18.1M

FISHER MANUFACTURING COMPANY

TOLL FREE: 800-421-6162 - FAX: 800-832-8238

information@fisher-mfg.com - www.fisher-mfg.com