

"PRB-3" POT RACKS - TABLE MOUNT

Fits 84"-144" Tables, Stainless Steel Construction w/Stainless Steel Hooks

FEATURES:

- Type 300 Stainless Steel
- All Racks Provided With Type 300 Stainless Steel Hooks (See Table For Quantity Per Size)
- Welded Setup
- Standard Table Mount

SPECIFICATIONS:

- Made Of 3/16"x2" Stainless Steel Flat Bar
- Uprights: 1-5/8" O.D. Round Tube, 16GA Type 300 Stainless Steel

CERTIFICATIONS:



"PRB" POT RACKS

MODEL	# OF UPRIGHTS	TABLE LENGTH	LENGTH	# OF HOOKS	WT. (LBS)
PRB03A	3	84"	79-1/4"	21	43
PRB04	3	96"	91-1/4"	24	47
PRB04A	3	108"	103-1/4"	27	52
PRB05	3	120"	115-1/4"	30	56
PRB06	3	132"	127-1/4"	33	60
PRB07	3	144"	139-1/4"	36	64

ALL DIMENSIONS ARE TYPICAL. TOLERANCE +/- .500". JOHN BOOS & CO. RESERVES THE RIGHT TO CHANGE SPECIFICATIONS WITHOUT NOTICE.

DETAILED SPECIFICATIONS

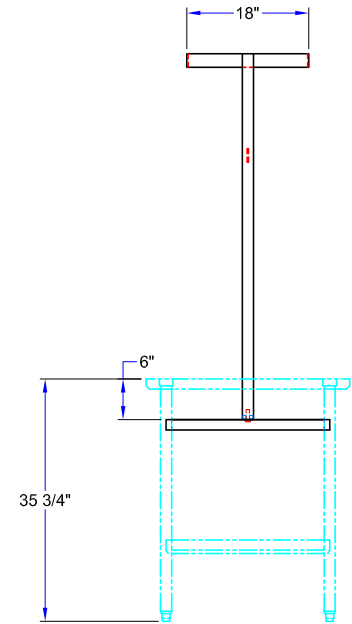
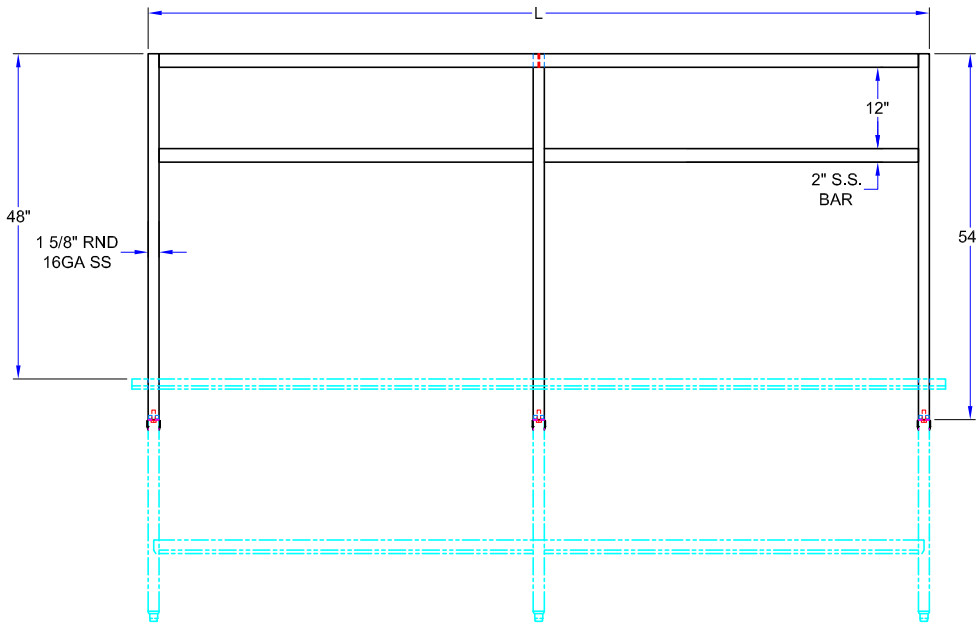
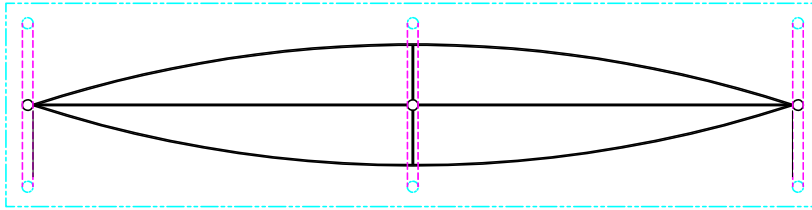


TABLE NOT INCLUDED

"PRB" POT RACKS

MODEL	# OF UPRIGHTS	TABLE LENGTH	LENGTH	# OF HOOKS	WT. (LBS)
PRB03A	3	84"	79-1/4"	21	43
PRB04	3	96"	91-1/4"	24	47
PRB04A	3	108"	103-1/4"	27	52
PRB05	3	120"	115-1/4"	30	56
PRB06	3	132"	127-1/4"	33	60
PRB07	3	144"	139-1/4"	36	64

ALL DIMENSIONS ARE TYPICAL. TOLERANCE +/- .500". JOHN BOOS & CO. RESERVES THE RIGHT TO CHANGE SPECIFICATIONS WITHOUT NOTICE.