



Model: _____ Item #: _____ Date: _____

Project: _____ Qty: _____ Approved By: _____

Multiple Compartment Drop-In Sinks

Drop-In Sinks

Standard Features (applies to all models)

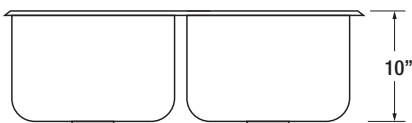
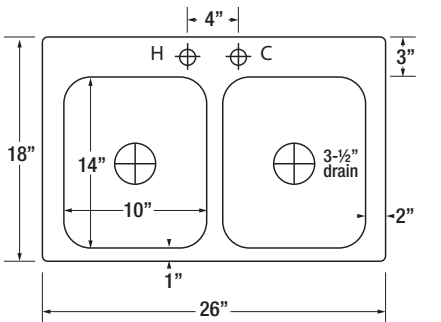
- 20 gauge stainless steel fabrication
- All seams tig welded and polished
- High quality deep drawn bowls
- Stainless steel 3-1/2" drain
- 4" center deck mount faucet (models ending -LF do not include faucets)
- Faucet included is certified to NSF/ANSI 61 and 372 and conforms with the lead content requirements for lead free plumbing as defined by the U.S. Safe Drinking Water Act. Hand sink is certified NSF-2.



Model	Faucet	Overall Size	Bowls	Bowl Size	Cutout (1-1/4" Radius)	Weight (lbs.)
HS-2619	4" center faucet with 8" spout (1.8 GPM)	26"W x 18"L x 10"D	2	10"W x 14"L x 10"D	22-1/4"W x 16-3/4"L	30
HS-2619-LF	Less faucet	26"W x 18"L x 10"D	2	10"W x 14"L x 10"D	22-1/4"W x 16-3/4"L	30
HS-3819	4" center faucet with 12" spout (1.8 GPM)	36"W x 18"L x 10"D	3	10"W x 14"L x 10"D	34-1/4"W x 16-3/4"L	45
HS-3819-LF	Less faucet	36"W x 18"L x 10"D	3	10"W x 14"L x 10"D	34-1/4"W x 16-3/4"L	45



HS-2619
26"W x 18" Two Compartment Drop-In Sink



HS-3819
36"W x 18" Three Compartment Drop-In Sink

