

"BHS12" WALL SHELVES

Stainless Steel, 12" Wide w/1½" Rear Riser

FEATURES:

- 18GA, 16GA, & 14GA Variations Available
- Type 300 Stainless Steel With #4 Polish, Satin Finish
- Finished With A Safety Stallion Front Edge
- 1-1/2" Turned Up Backsplash
- Shipped Knocked-Down, Easy-To-Assemble
- All Models Are NSF Certified

SPECIFICATIONS:

- Stainless Steel Shelves Are MIG Welded
- Exposed Welds Are Polished To Match Adjacent Surface
- Shelf: Type 300 Stainless Steel With #4 Polish, Satin Finish
- Brackets: Type 300 Stainless Steel With #4 Polish, Satin Finish



CERTIFICATIONS:



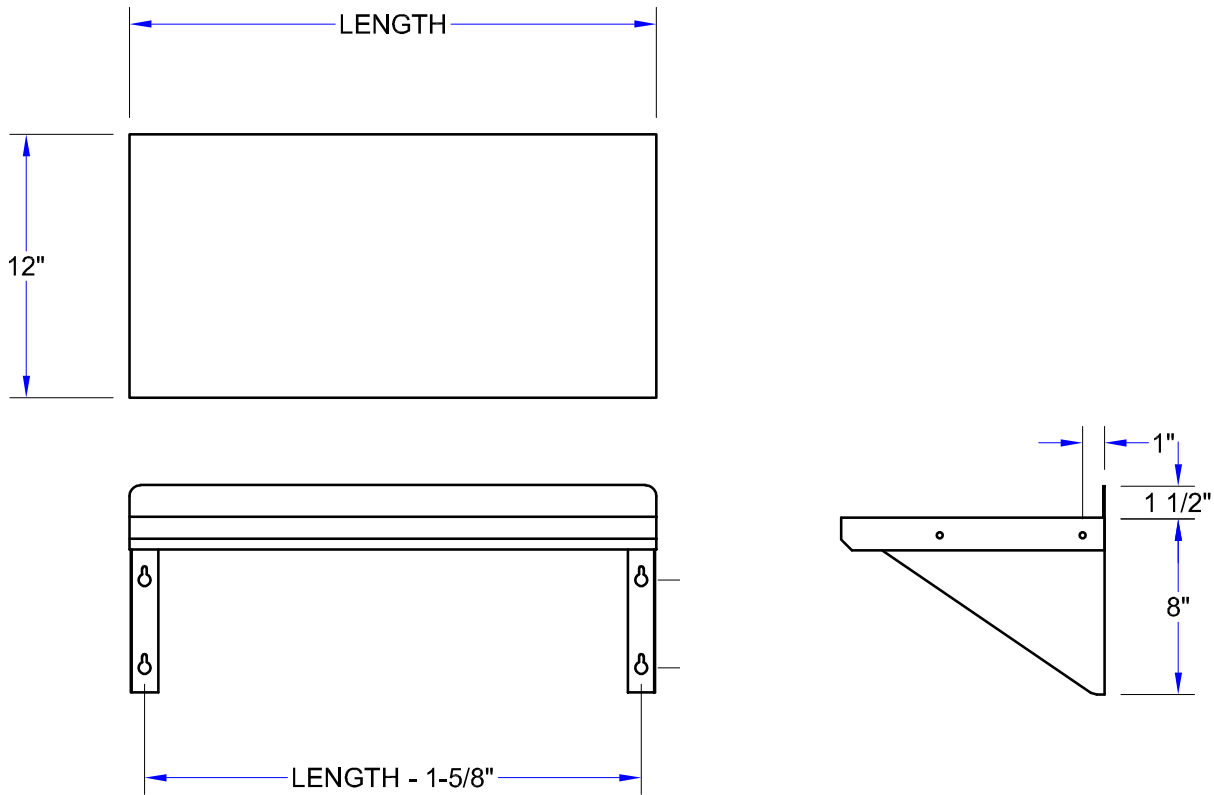
"BHS12" STAINLESS STEEL WALL SHELVES

LENGTH	18GA	WT (LBS)	16GA	WT (LBS)	14GA	WT (LBS)
24"	BHS1224	9	BHS1224-16/304	12	BHS1224-14/304	16
30"	BHS1230	11	BHS1230-16/304	14	BHS1230-14/304	18
36"	BHS1236	12	BHS1236-16/304	15	BHS1236-14/304	20
48"	BHS1248	16	BHS1248-16/304	18	BHS1248-14/304	24
60"	BHS1260	21	BHS1260-16/304	21	BHS1260-14/304	27
72"	BHS1272 *	25	BHS1272-16/304 *	24	BHS1272-14/304 *	30
84"	BHS1284 *	29	BHS1284-16/304 *	30	BHS1284-14/304 *	35
96"	BHS1296 *	33	BHS1296-16/304 *	34	BHS1296-14/304 *	40
108"	BHS12108 *	36	BHS12108-16/304 *	38	BHS12108-14/304 *	45
120"	BHS12120 *	39	BHS12120-16/304 *	43	BHS12120-14/304 *	49
132"	BHS12132 **	43	BHS12132-16/304 **	48	BHS12132-14/304 **	53
144"	BHS12144 **	46	BHS12144-16/304 **	52	BHS12144-14/304 **	57

* UNITS 72"-120" ARE FURNISHED WITH 3 SUPPORT BRACKETS, UNITS 132" & 144" HAVE 4 SUPPORT BRACKETS

ALL DIMENSIONS ARE TYPICAL. TOLERANCE +/- .500". JOHN BOOS & CO. RESERVES THE RIGHT TO CHANGE SPECIFICATIONS WITHOUT NOTICE.

DETAILED SPECIFICATIONS



"BHS12" STAINLESS STEEL WALL SHELVES

LENGTH	18GA	WT (LBS)	16GA	WT (LBS)	14GA	WT (LBS)
24"	BHS1224	9	BHS1224-16/304	12	BHS1224-14/304	16
30"	BHS1230	11	BHS1230-16/304	14	BHS1230-14/304	18
36"	BHS1236	12	BHS1236-16/304	15	BHS1236-14/304	20
48"	BHS1248	16	BHS1248-16/304	18	BHS1248-14/304	24
60"	BHS1260	21	BHS1260-16/304	21	BHS1260-14/304	27
72"	BHS1272 *	25	BHS1272-16/304 *	24	BHS1272-14/304 *	30
84"	BHS1284 *	29	BHS1284-16/304 *	30	BHS1284-14/304 *	35
96"	BHS1296 *	33	BHS1296-16/304 *	34	BHS1296-14/304 *	40
108"	BHS12108 *	36	BHS12108-16/304 *	38	BHS12108-14/304 *	45
120"	BHS12120 *	39	BHS12120-16/304 *	43	BHS12120-14/304 *	49
132"	BHS12132 **	43	BHS12132-16/304 **	48	BHS12132-14/304 **	53
144"	BHS12144 **	46	BHS12144-16/304 **	52	BHS12144-14/304 **	57

* UNITS 72"-120" ARE FURNISHED WITH 3 SUPPORT BRACKETS, UNITS 132" & 144" HAVE 4 SUPPORT BRACKETS

ALL DIMENSIONS ARE TYPICAL. TOLERANCE +/- .500". JOHN BOOS & CO. RESERVES THE RIGHT TO CHANGE SPECIFICATIONS WITHOUT NOTICE.